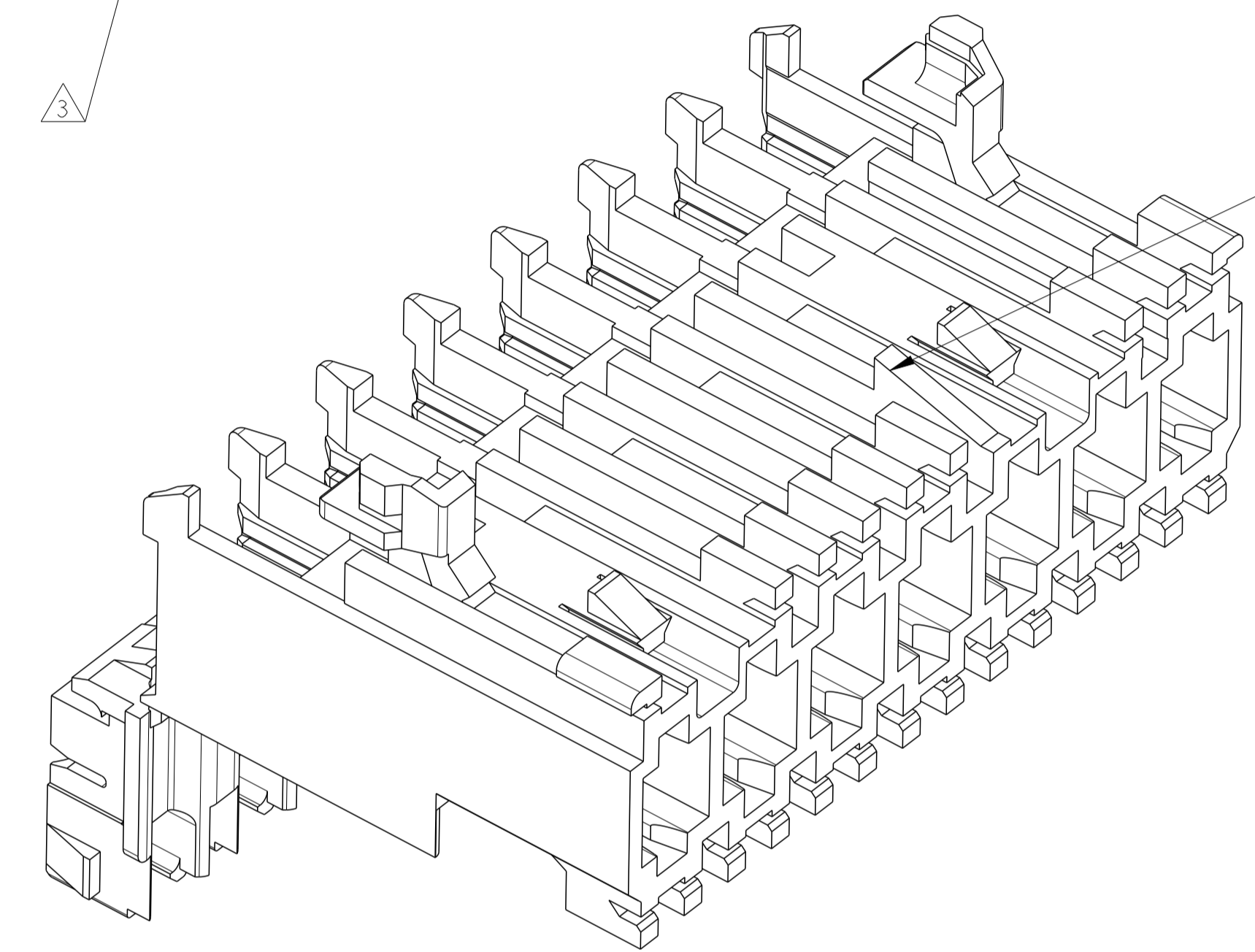
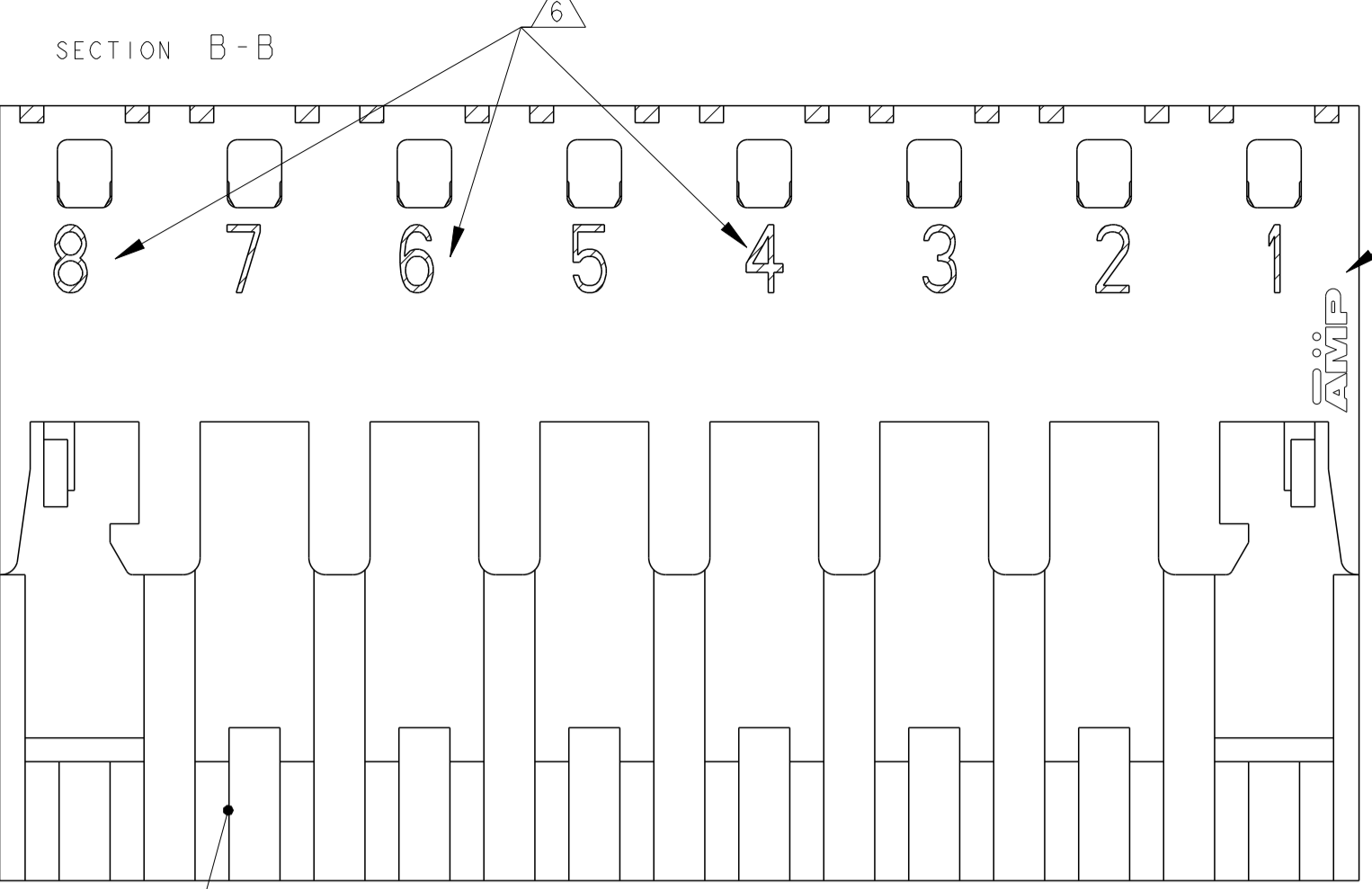
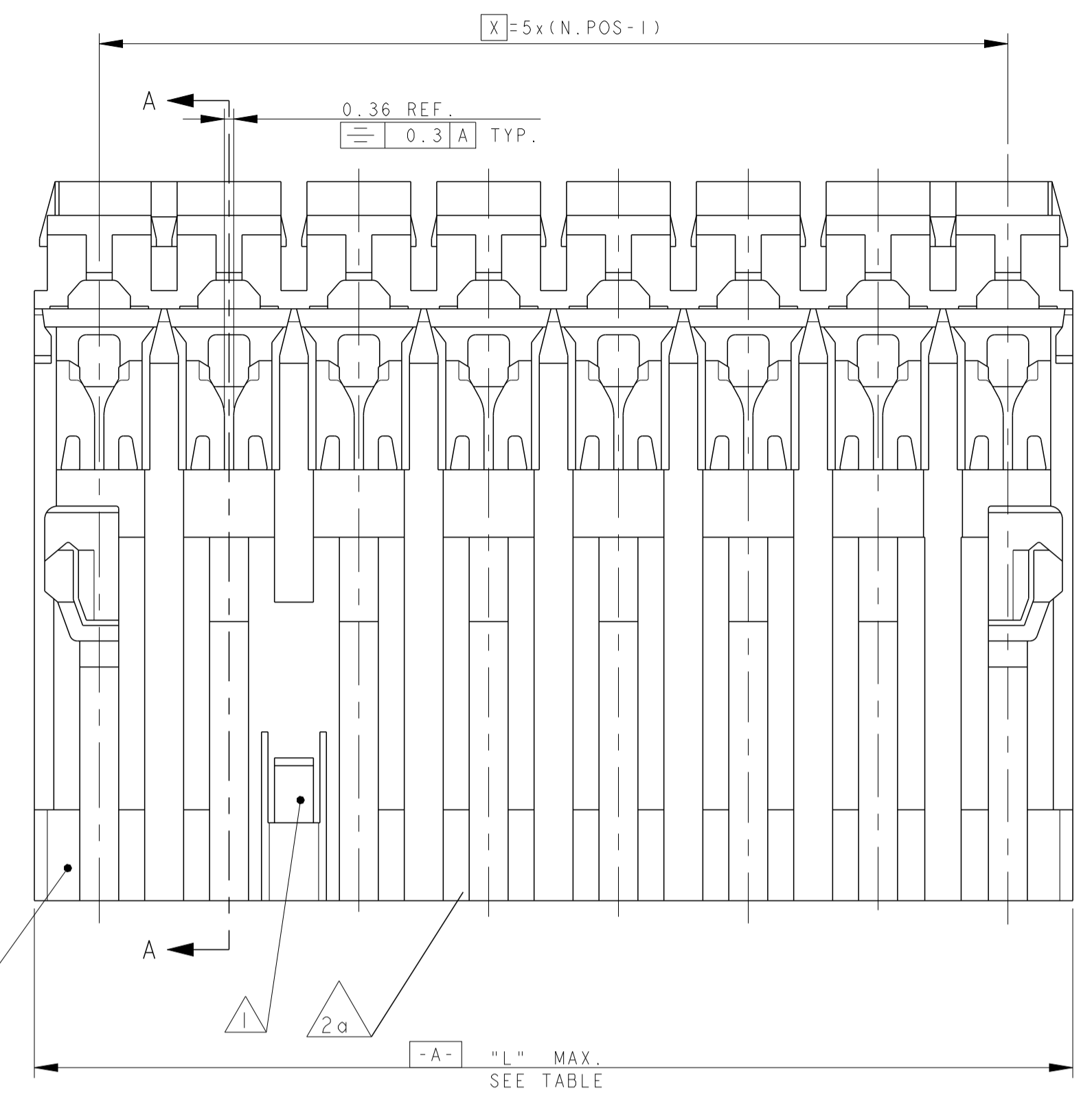
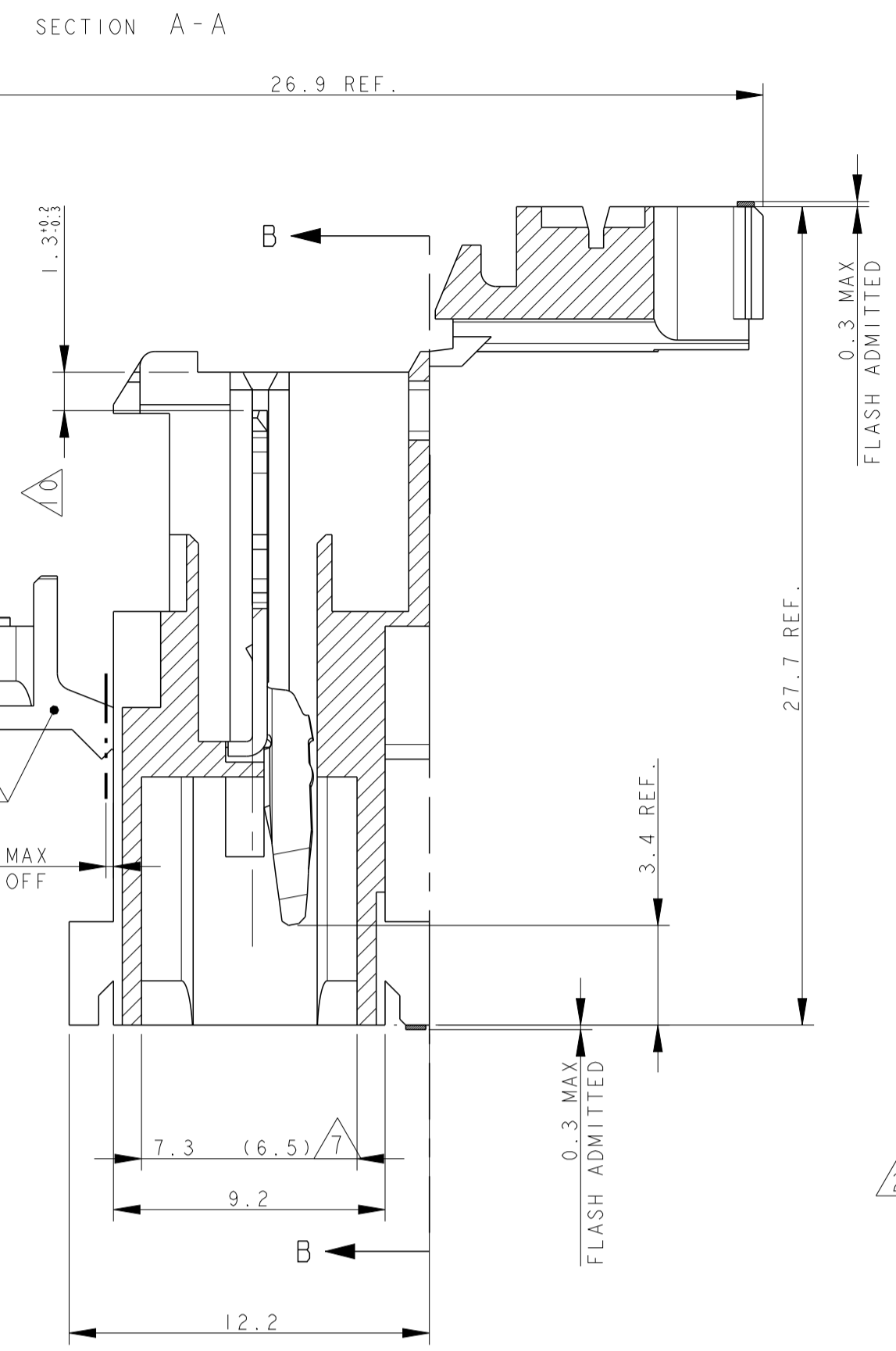


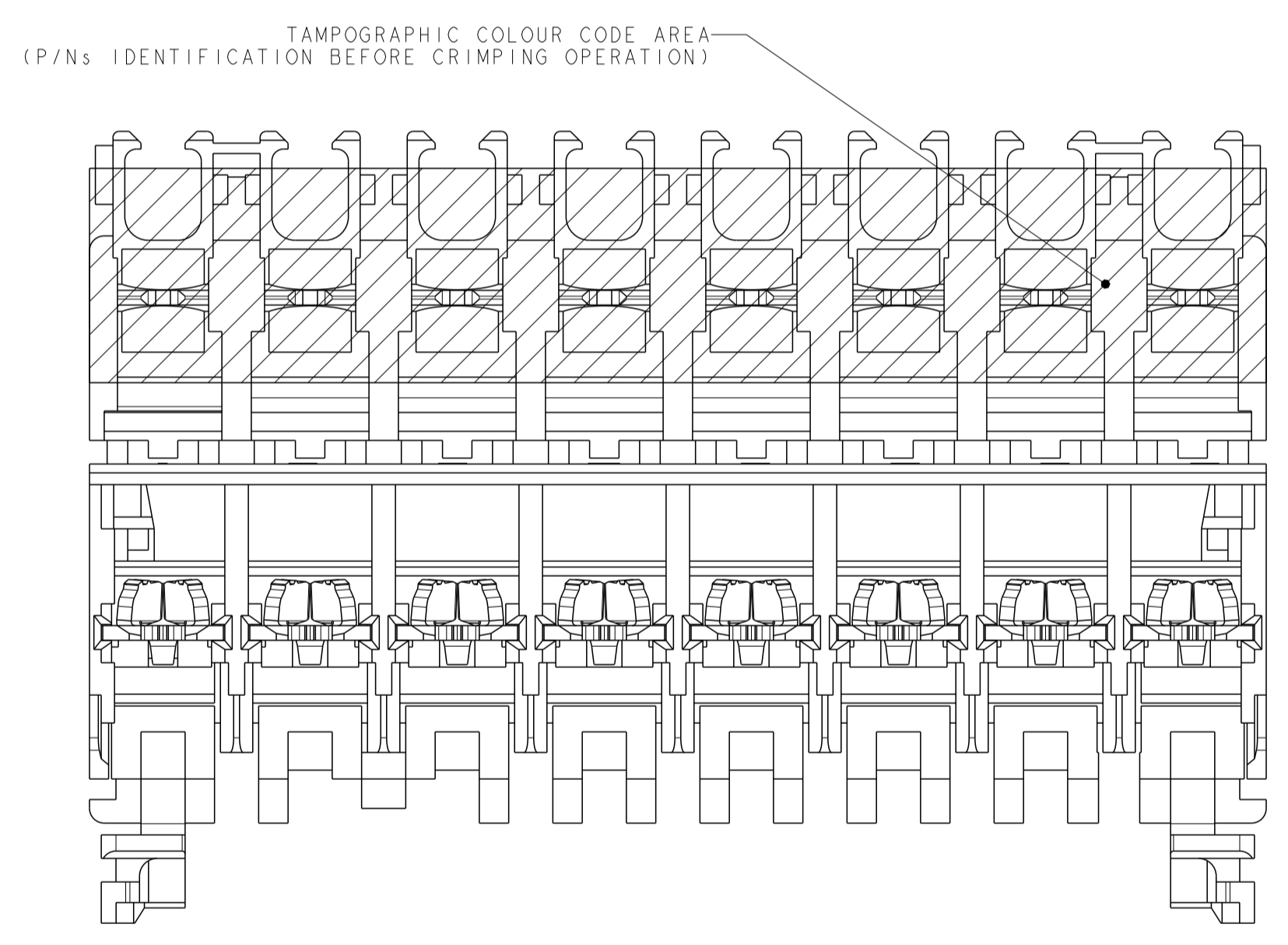
PART NUMBER *284478-1 FOR REF. AS SHOWN

LOC	DIST	REVISIONS					
		P	LTN	DESCRIPTION	DATE	DMN	APVD
		G8		P/N 3-284477-7 RELEASED (ECR-13-011961)	26 JUL 2013	MKD	RRP
		G9		ECR-15-016292	05 NOV 2015	SS	RR
		G10		REVISED PER ECR-18-011164	28 AUG 2018	BDA	MD



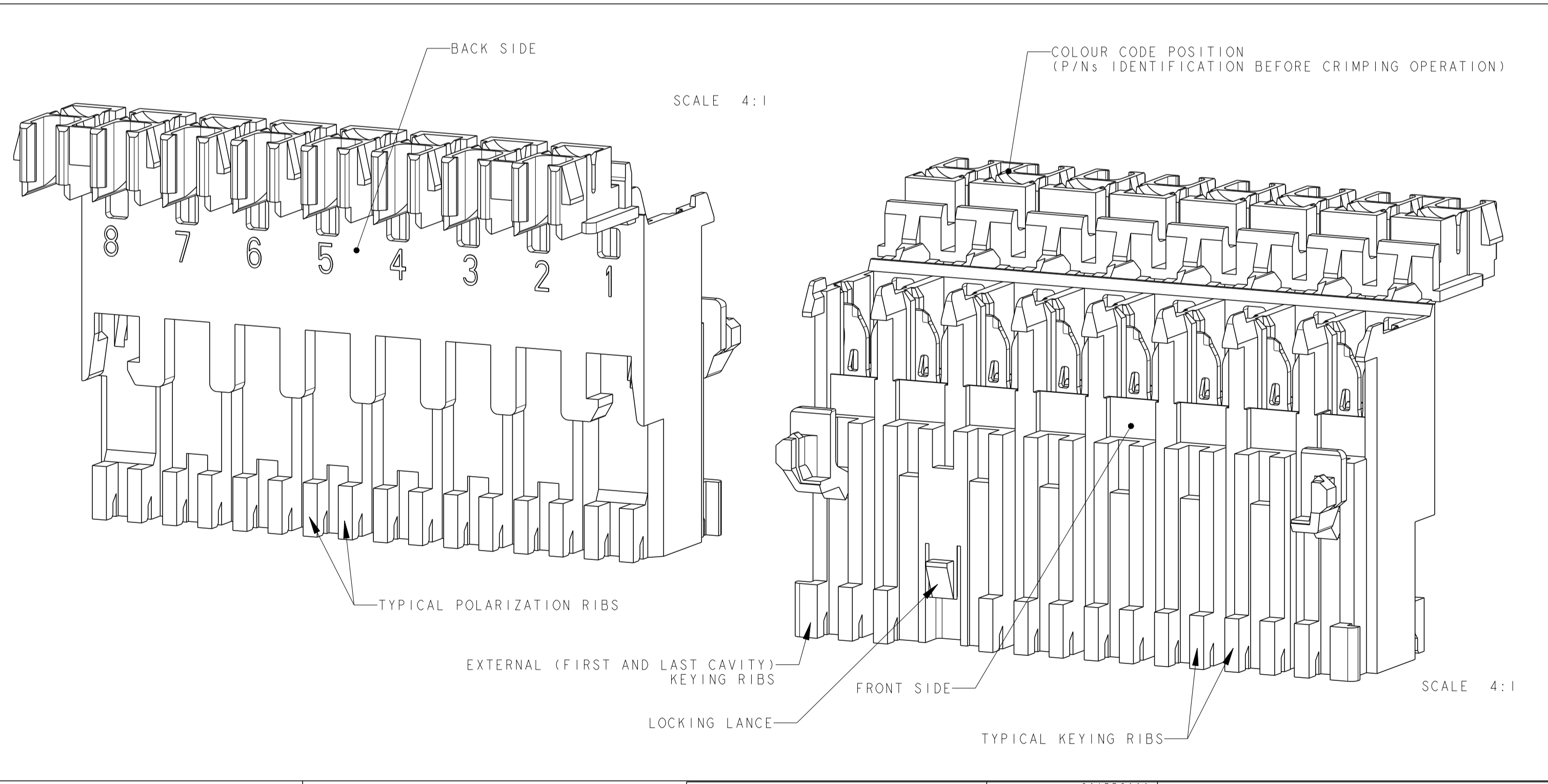
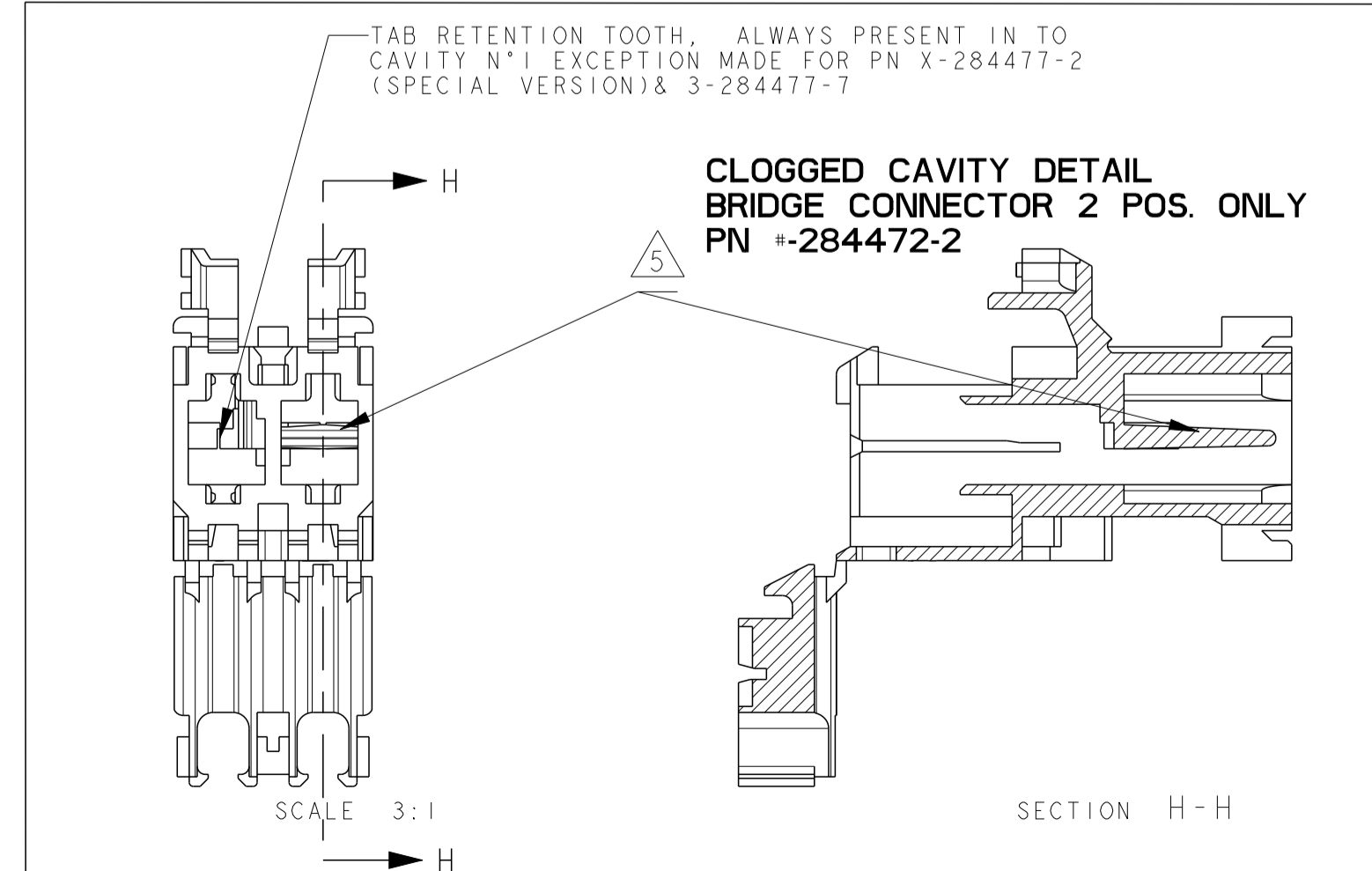
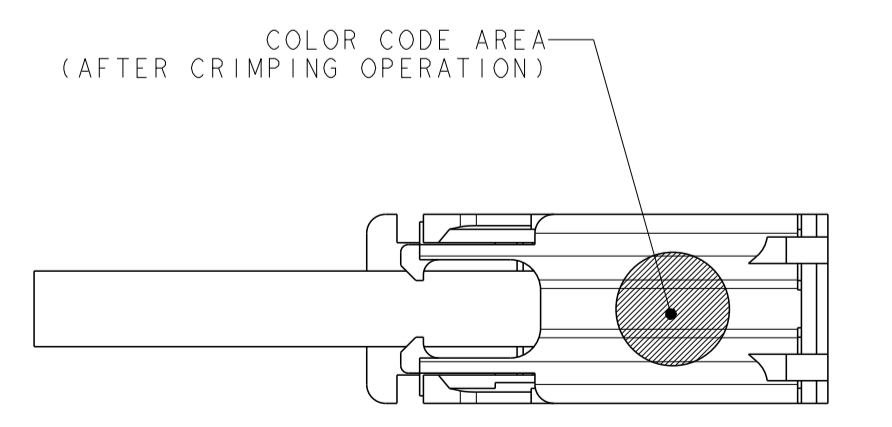
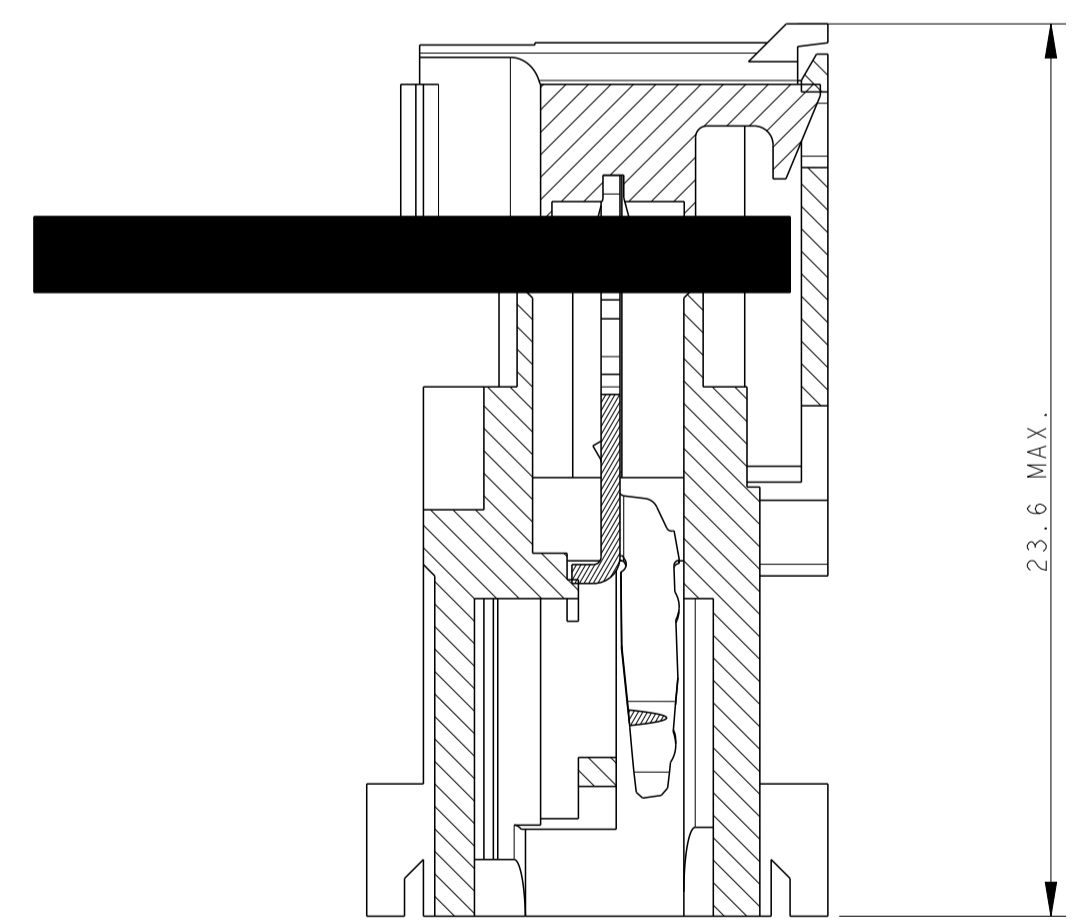
DETAIL FOR PART NUMBER *284477-2 FOR REF AS SHOWN

SPECIAL KEYING FOR MOTOR MOUNT APPLICATION SEE ALSO SHEET 2 OF 2

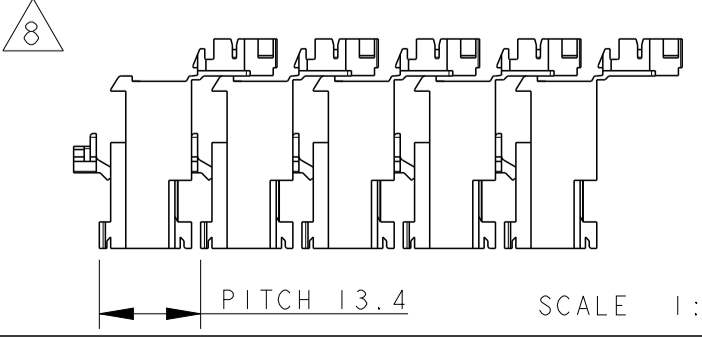


FOR NOTES SEE LAST SHEET

TERMINATED CONNECTOR
 PN #284471-1 SHOWN FOR REFERENCE



PACKAGING: CONNECTOR STRIP



THIS DRAWING IS A CONTROLLED DOCUMENT.		DMN M. COLOMBO 20APR2000	TE Connectivity
DIMENSIONS: mm		CHK G. TURCO 20APR2000	
TOLERANCES UNLESS OTHERWISE SPECIFIED:		APVD G. TURCO 20APR2000	NAME
0 PLC	±0.5	PRODUCT SPEC	AMP MONO-SHAPE Mark II
1 PLC	±0.3	APPLICATION SPEC	1-10 POS TAB CONNECTORS
2 PLC	±0.2	108-20213	SIZE
3 PLC	±0.1	114-20104 & 114-20111	A1
4 PLC	±0.1		CAGE CODE
ANGLES	±1		DRAWING NO
MATERIAL			C=284471
FINISH			RESTRICTED TO
CUSTOMER DRAWING		SCALE 5:1	SHEET 1 OF 5
		REV G10	

- NOTES:**
- 1 LOCKING LANCE BETWEEN CAVITY-NO.
 - 2 KEYING RIB ON FIRST AND LAST CAVITY, FRONT SIDE
 - 2a TYPICAL KEYING RIB
 - 3 SPECIAL KEY, MOTOR MOUNT VERSION FOR (SPECIAL APPLICATION.)
 - 4 TYPICAL POLARISATION RIB
 - 5 CONTACT BRIDGE DESIGN AS SHOWN. FOR REFERENCE
 B THIS SYMBOL IDENTIFY A BRIDGED CONTACT AND RELEVANT WAY POSITION
 - 6 CONTACT POSITION IN HOUSING CAVITY AS RECEIVED, BEFORE WIRE TERMINATION
 - 7 STRIP-CLIPS TO BE CUT OFF BY APPLICATION MACHINE
 - 8 PRODUCT PAKED IN STRIP, ON TRAY INSIDE A BOX PER PKG. SPEC. 107-20213
 - 9 MATERIALS:
 - HOUSINGS: NYLON UNFILLED, GLOW WIRE 750° NO FLAME FOR DETAIL SEE RELEVANT TABLE.
 - CONTACTS: HIGH CONDUCTIVITY COPPER ALLOY
 - 10 DIM. 6.5 IS FOR FIRST AND LAST CAVITY ONLY, IS 7.3 FOR OTHERS CAVITY/WAYS N°.

TAMPOGRAPHIC COLOUR CODE AREA (P/Ns IDENTIFICATION BEFORE CRIMPING OPERATION)

CONTACTS IN SHORT CIRCUIT FOR WAY 1-2-3 ON TYP. BRIDGE CONFIGURATION

FRONT SIDE

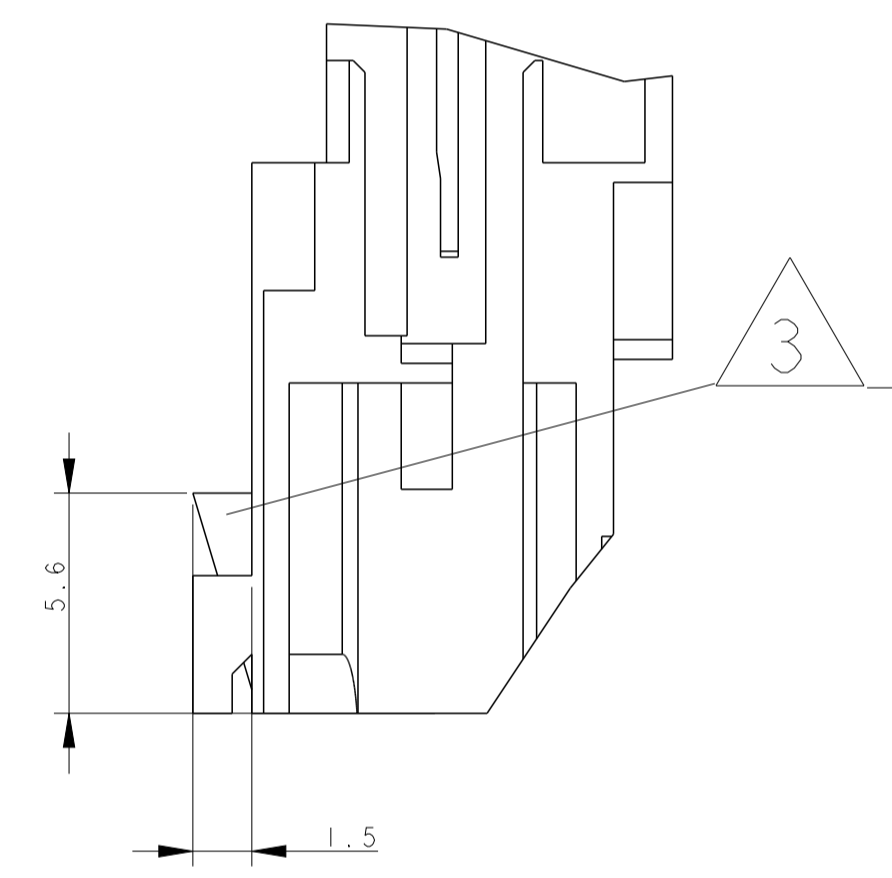
WAYS NUMBER IDENTIFICATION

BACK SIDE

MANUFACTURER LOGO FREE POSITION ON THIS AREA

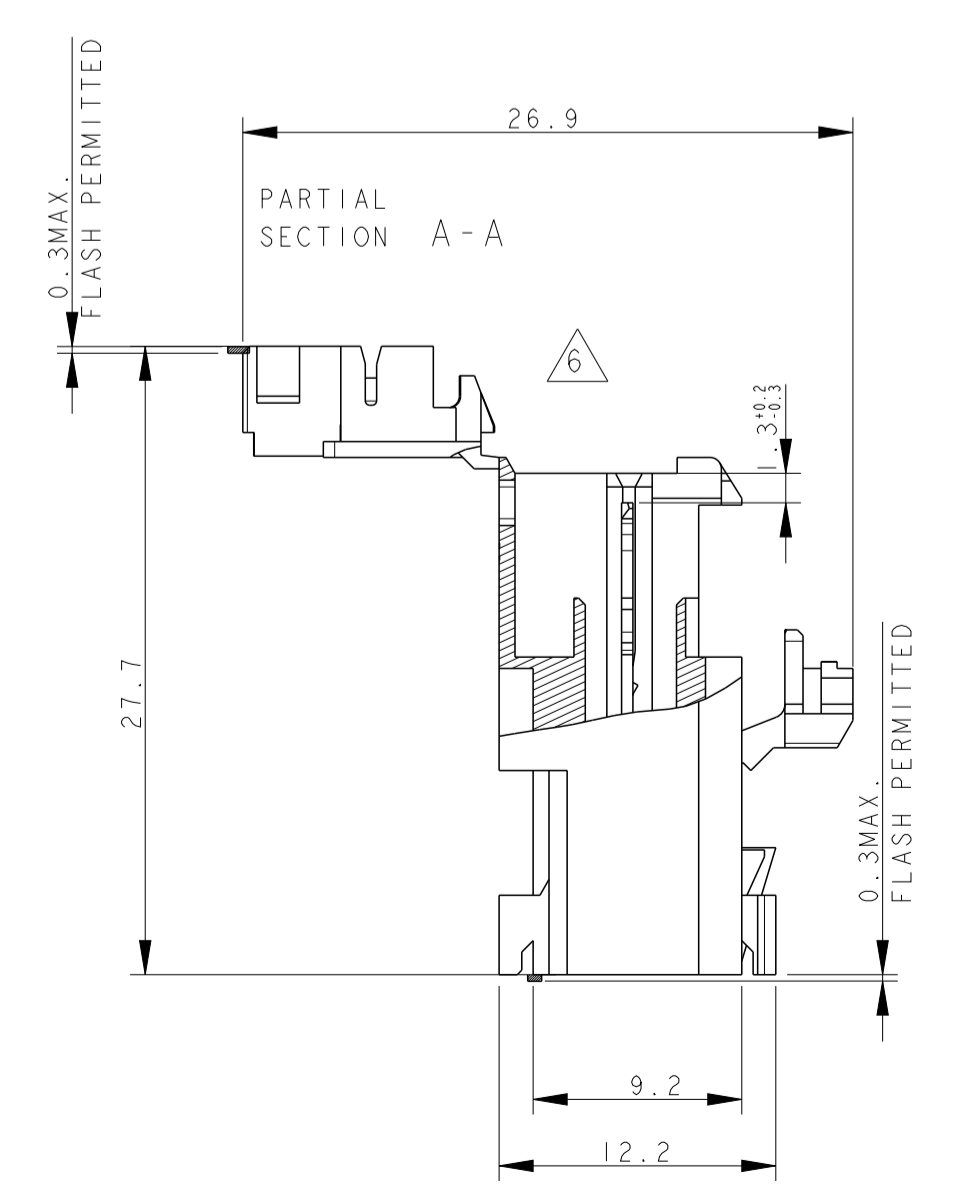
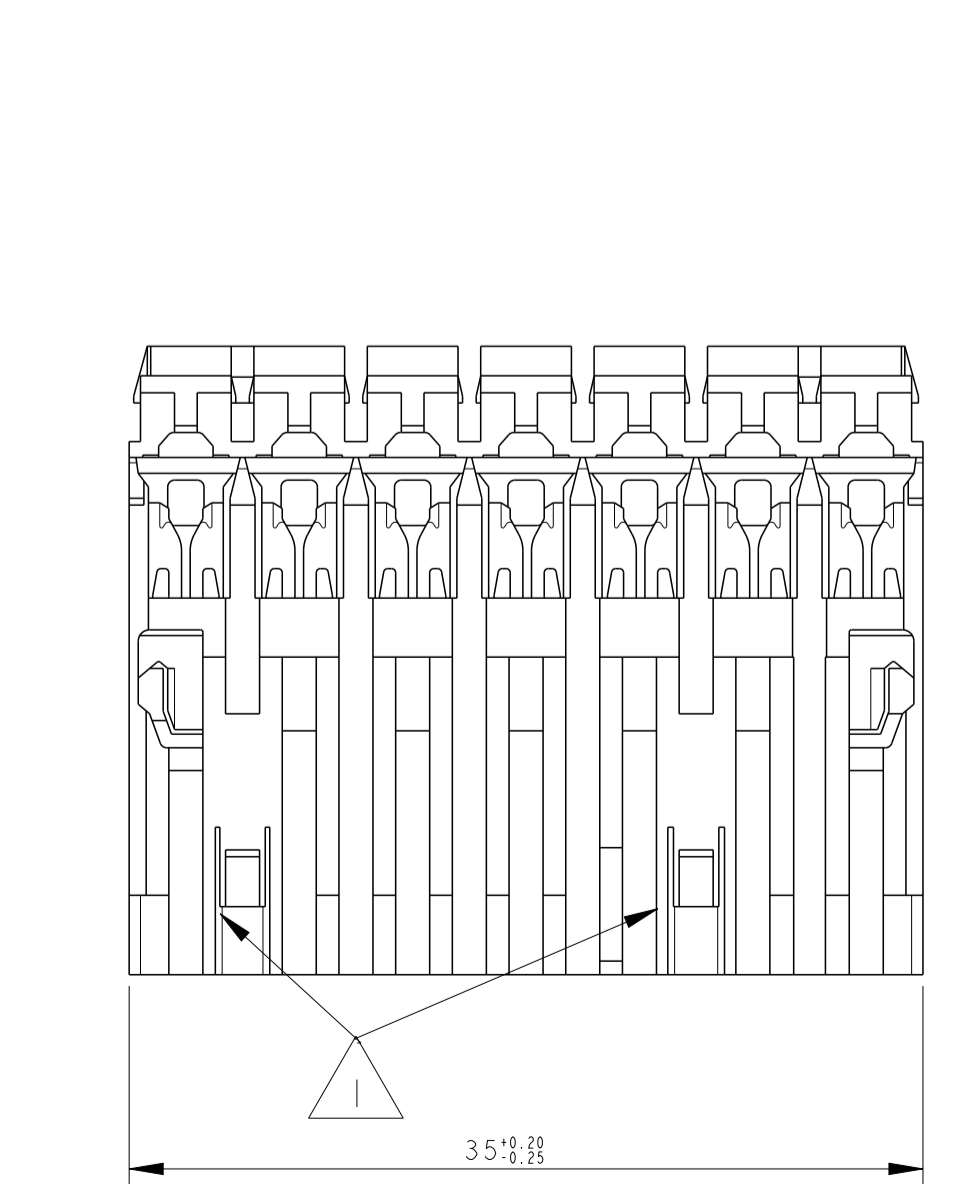
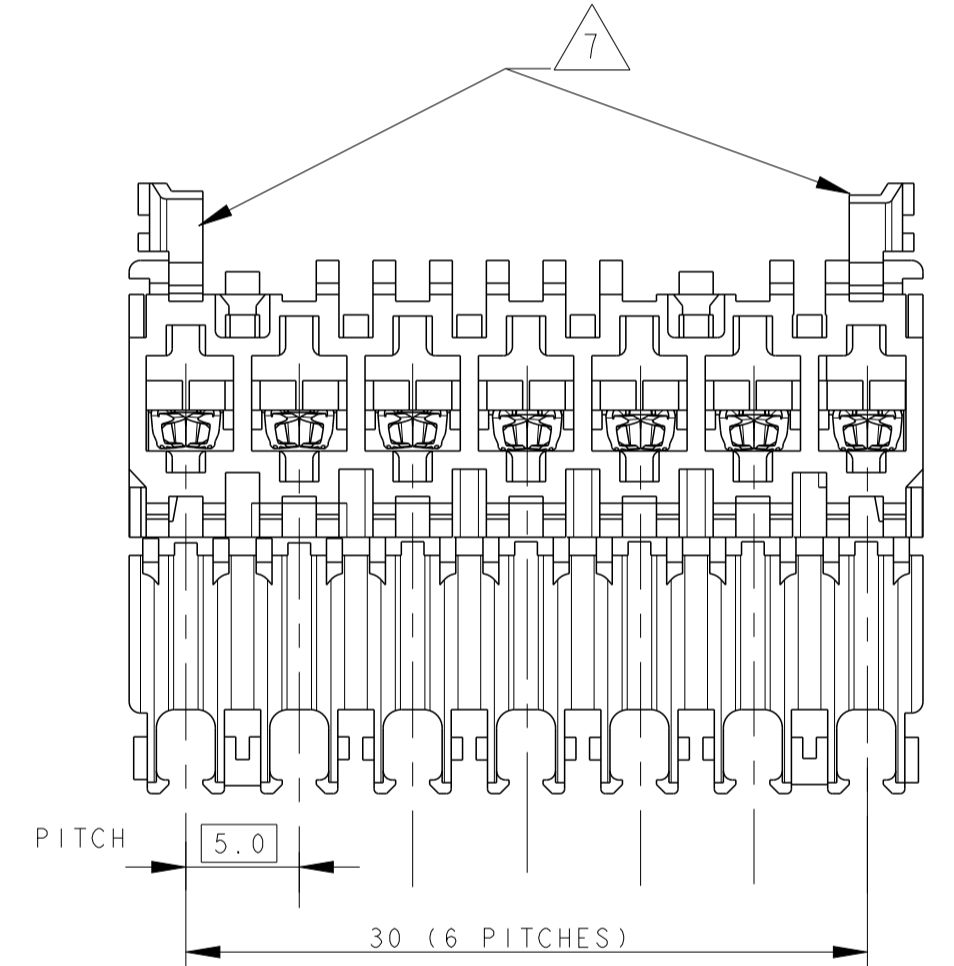


PARTIAL DETAIL FOR MOTOR MOUNT KEY

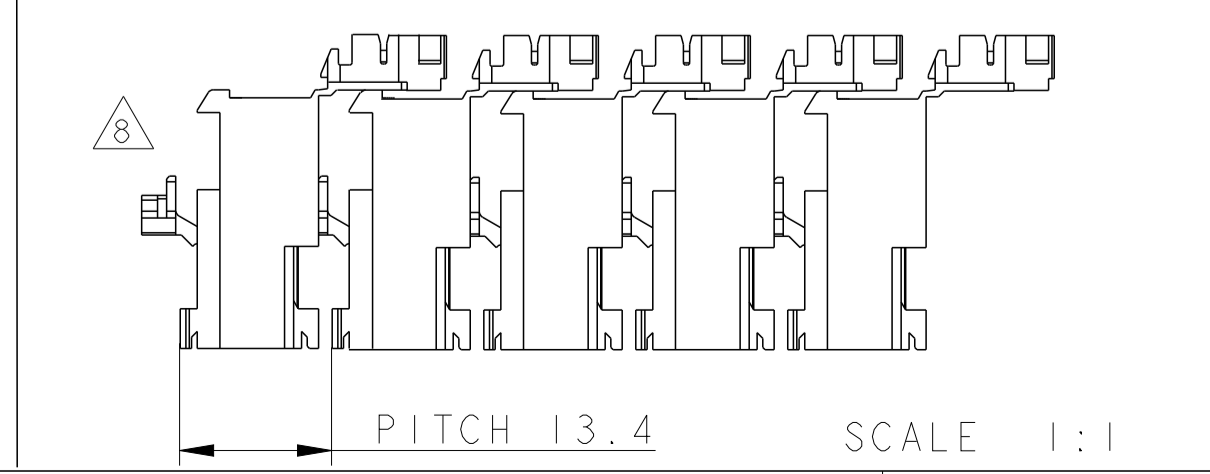


PN 3-284477-4 AS SHOWN ON THIS SHEET

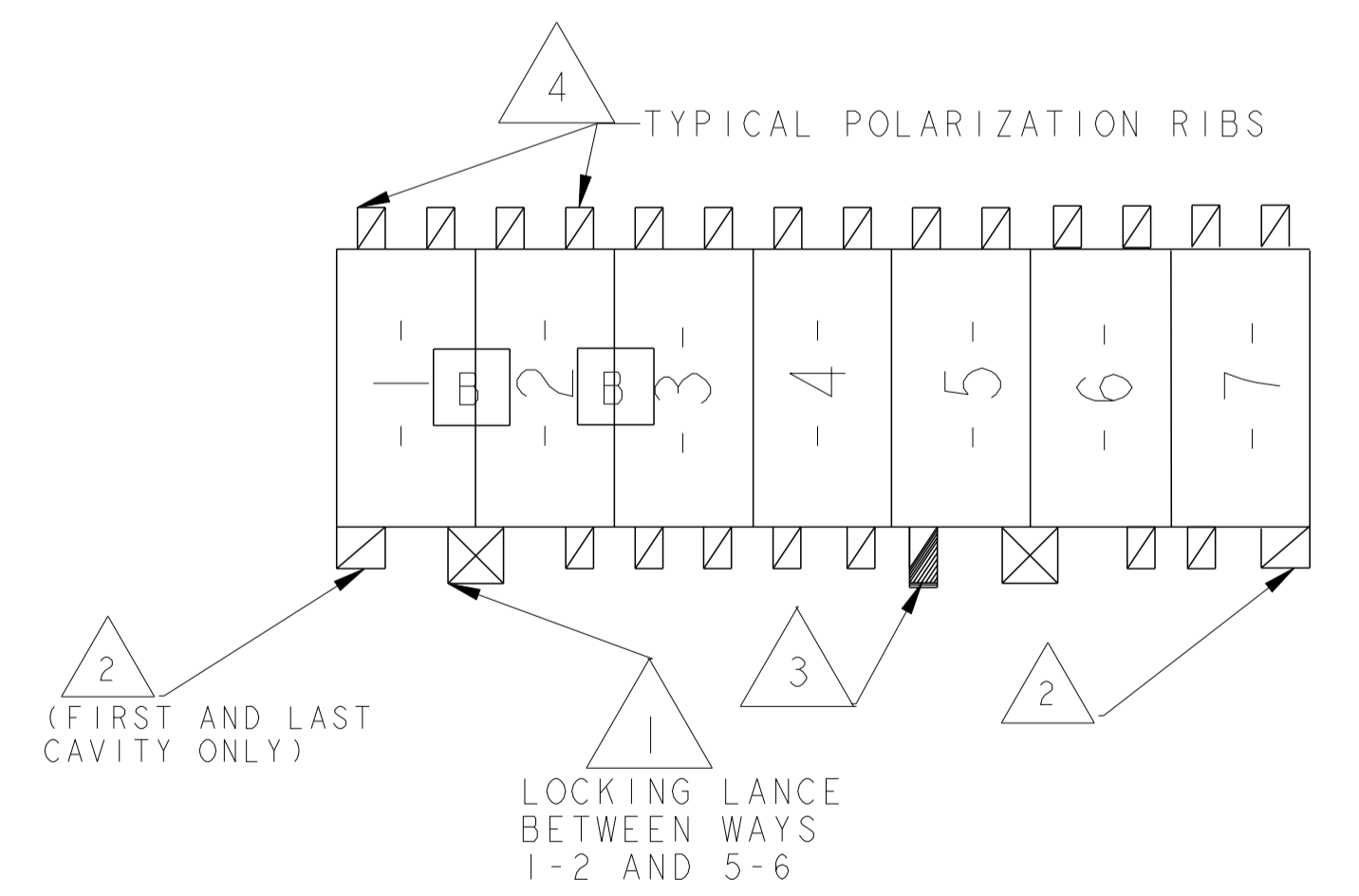
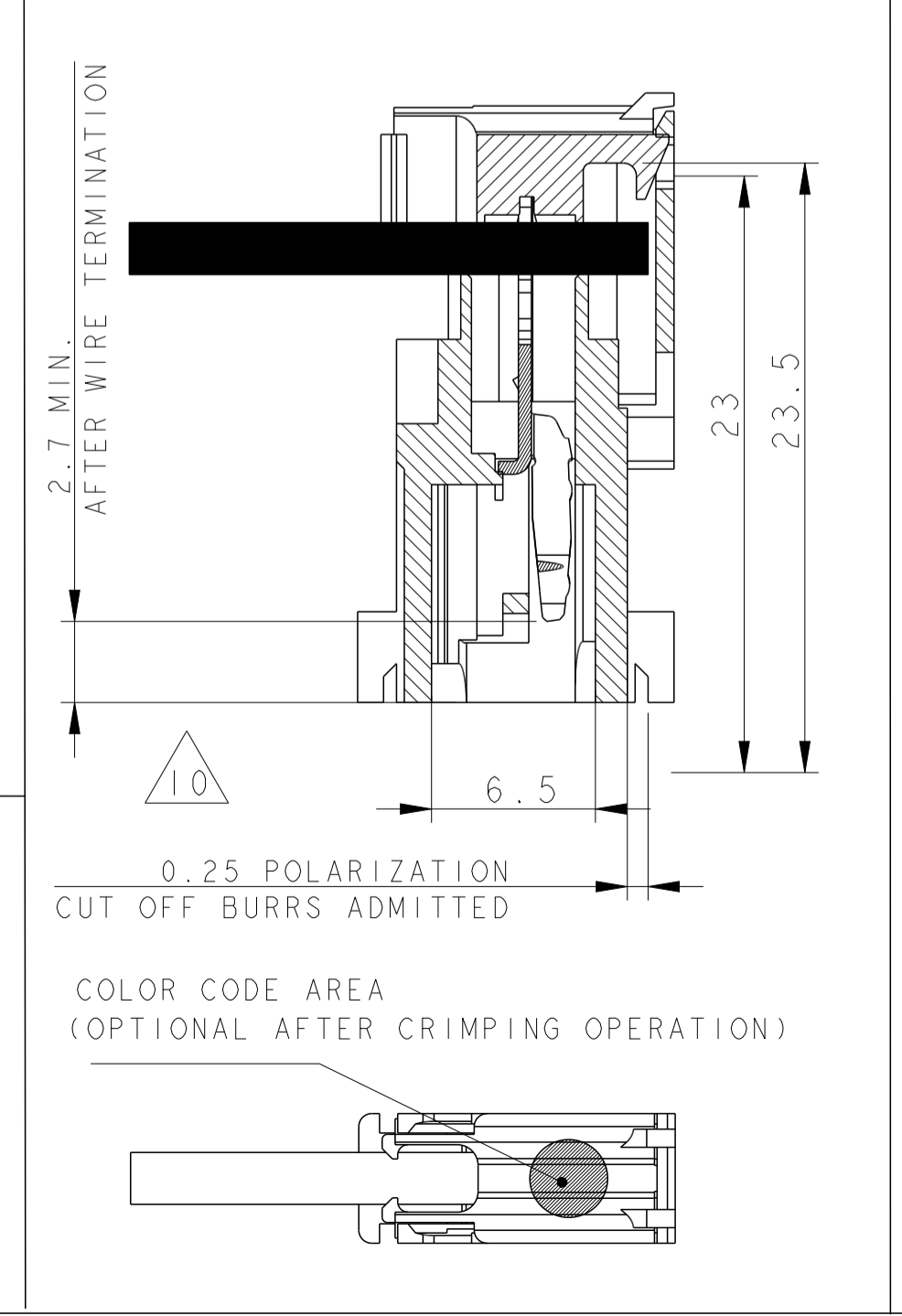
KEYING LAYOUT - SCHEMATIC
 DETAILS FOR 7 POS TAB-BRIDGE CONNECTORS FOR SPECIAL APPLICATION
 PRODUCT DESIGNED WITH CONTACTS ON WAY 1-2-3 IN SHORT CIRCUIT (BRIDGE)



PACKAGING: CONNECTOR STRIP



TERMINATED CONNECTOR (SW AS SHOWN FOR REFERENCE ONLY)



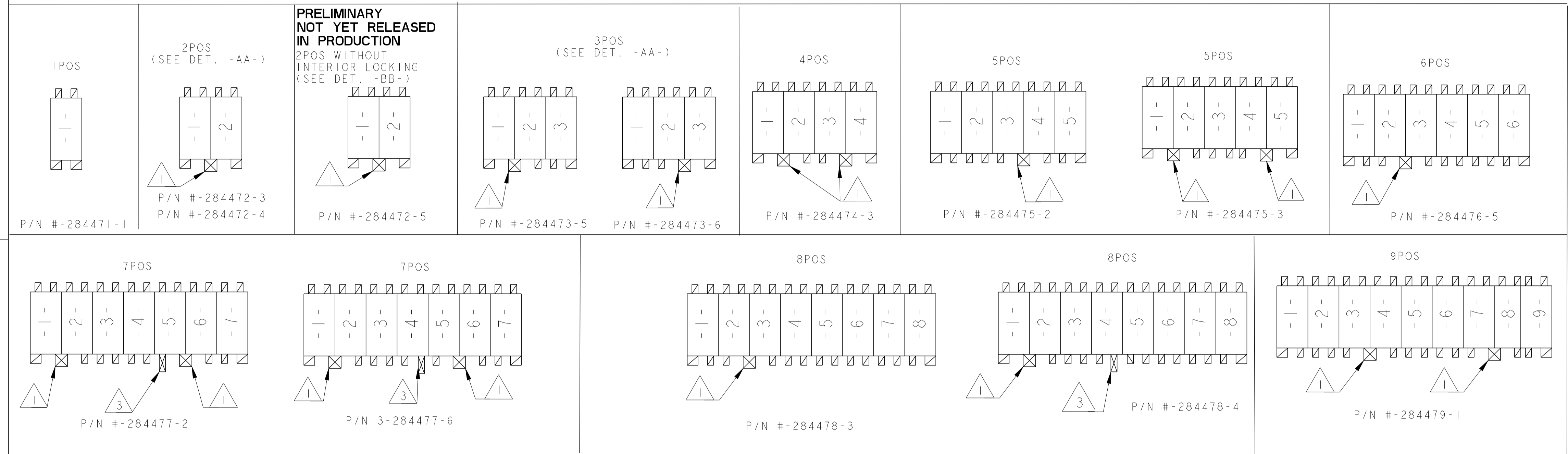
No. OF POS	ASS'Y P/N	ASS'Y REV.	NOTE	COLOR CODE
7	3-284477-4	0	HSG MATERIAL PA66-750*NF.	VIOLET

THIS DRAWING IS A CONTROLLED DOCUMENT.		OWN C. CORDOLA	12DEC.05	TE Connectivity NAME AMP MONO-SHAPE Mark II 7 POS BRIDGE TAB CONNECTORS
DIMENSIONS: mm		CHK G. TURCO	12DEC.05	
TOLERANCES UNLESS OTHERWISE SPECIFIED:		APVD G. TURCO	12DEC.05	
0 PLC ± 0.5 1 PLC ± 0.3 2 PLC ± 0.1 3 PLC ± 0.1 4 PLC ± 0.1 ANGLES ± 0.1		PRODUCT SPEC 108-20213	RESTRICTED TO	
MATERIAL	FINISH	APPLICATION SPEC	114-20104 & 114-20111	SIZE A1
SEE SHEET 1		WEIGHT	-	CAGE CODE 284471
CUSTOMER DRAWING		SCALE 3:1 SHEET 2 OF 5		REV. G10

TAB CONNECTORS FOR RAST5 COPPER ALLOY TAB, SHROUDED HEADER COUNTERPART. (L.I.F.) VERSION DESIGNED WITHOUT RIBS AND/OR RETENTION TOOTH IN CAVITY WAY N.1 - SEE ADDITIONAL DRAWING DETAILS -AA- AND -BB-

LOC	DIST	REV	DESCRIPTION	DATE	DWN	APVD
1	-	1	SEE SHEET 1			

KEYING LAYOUT - SCHEMATIC VIEW FROM "X"



NATURAL PA 66 - UL94-V2 VERSION (SUPERSEDED)

No. OF POS	DIM. "L"	PART NUMBER	ASS'Y REV.	NOTE	COLOR CODE
1	5.0	0-284471-1	D	-	-
2	10.0	0-284472-3	D	-	RED
3	15.0	0-284473-5	D	-	ORANGE
3	15.0	0-284473-6	D	-	GRAY
4	20.0	0-284474-3	D	-	RED
5	25.0	0-284475-2	D	-	RED
6	30.0	0-284476-5	D	-	ORANGE
7	35.0	0-284477-2	D	-	BLUE
8	40.0	0-284478-3	I	-	RED
8	40.0	0-284478-4	A	-	VIOLET
9	45.0	0-284479-1	F	-	-

NATURAL PA 66 - UL94-V0 VERSION (OBSOLETE)

No. OF POS	DIM. "L"	PART NUMBER	ASS'Y REV.	NOTE	COLOR CODE
OBSOLETE 1	5.0	1-284471-1	D	-	-
OBSOLETE 2	10.0	1-284472-3	D	-	RED
OBSOLETE 3	15.0	1-284473-5	D	-	ORANGE
OBSOLETE 3	15.0	1-284473-6	D	-	GRAY
OBSOLETE 4	20.0	1-284474-3	D	-	RED
OBSOLETE 5	25.0	1-284475-2	D	-	RED
6	30.0	1-284476-5	D	-	ORANGE
7	35.0	1-284477-2	D	-	BLUE
OBSOLETE 8	40.0	1-284478-3	A	-	RED
8	40.0	1-284478-4	A	-	VIOLET
OBSOLETE 9	45.0	1-284479-1	A	-	-

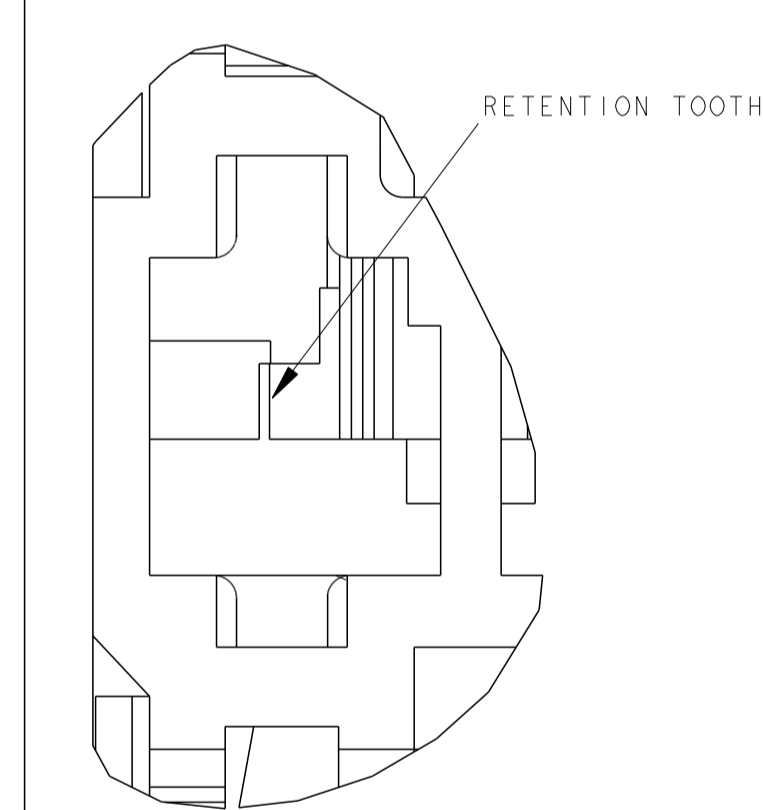
NATURAL PA 66 G.W. 750 NO FLAME VERSION (OBSOLETE)

No. OF POS	DIM. "L"	PART NUMBER	ASS'Y REV.	NOTE	COLOR CODE
1	5.0	3-284471-1	B	-	-
2	10.0	3-284472-3	D	-	RED
2	10.0	3-284472-4	A	-	BLACK
2	10.0	3-284472-5	A	-	GRAY
3	15.0	3-284473-5	D	-	ORANGE
3	15.0	3-284473-6	D	-	GRAY
4	20.0	3-284474-3	D	-	RED
5	25.0	3-284475-2	D	-	RED
5	25.0	3-284475-3	A	-	RED
6	30.0	3-284476-5	D	-	ORANGE
7	35.0	3-284477-2	B	-	BLUE
7	35.0	3-284477-6	A	-	BLACK
8	40.0	3-284478-3	A	-	RED
8	40.0	3-284478-4	F	-	VIOLET
9	45.0	3-284479-1	A	-	-

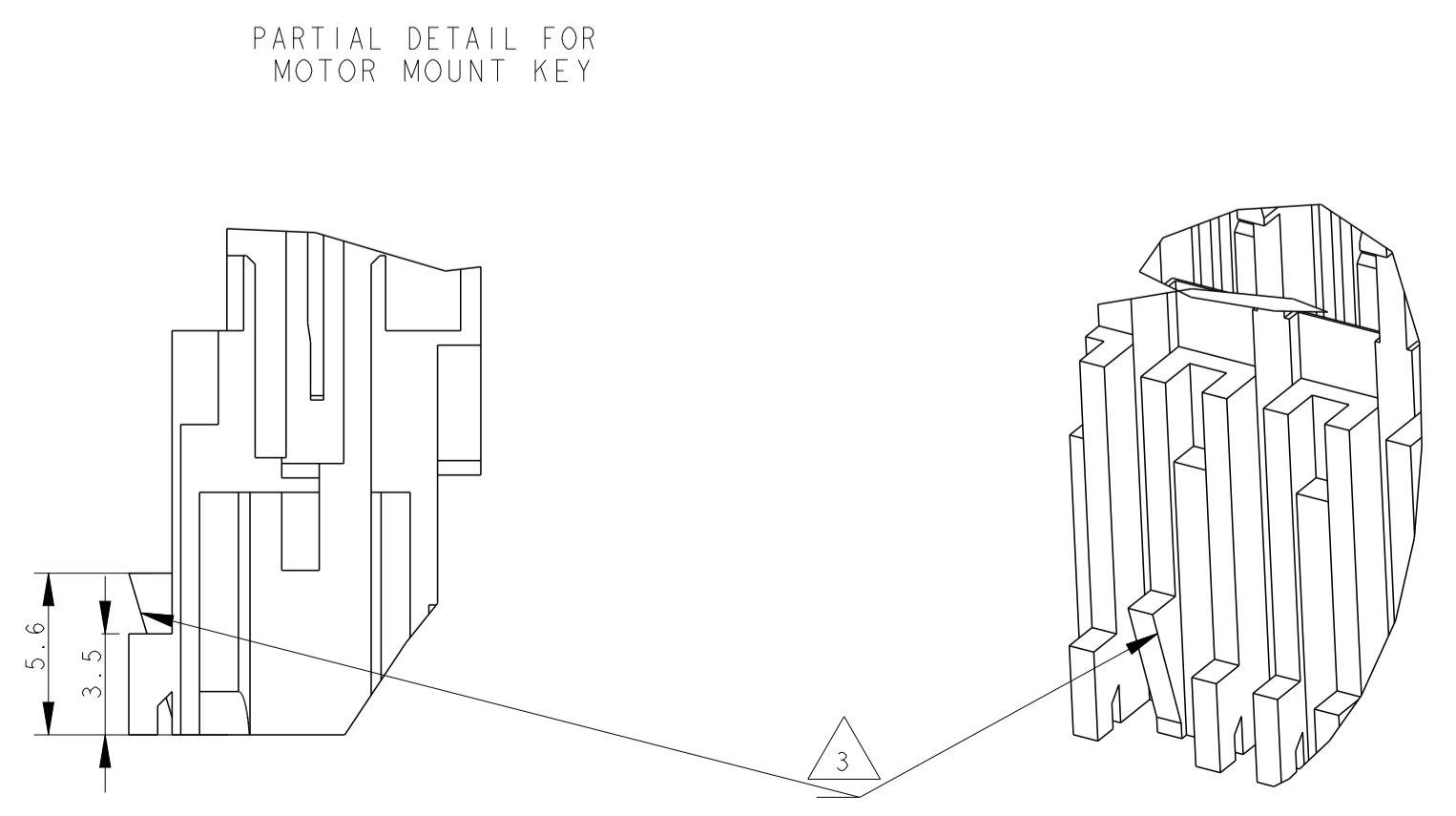
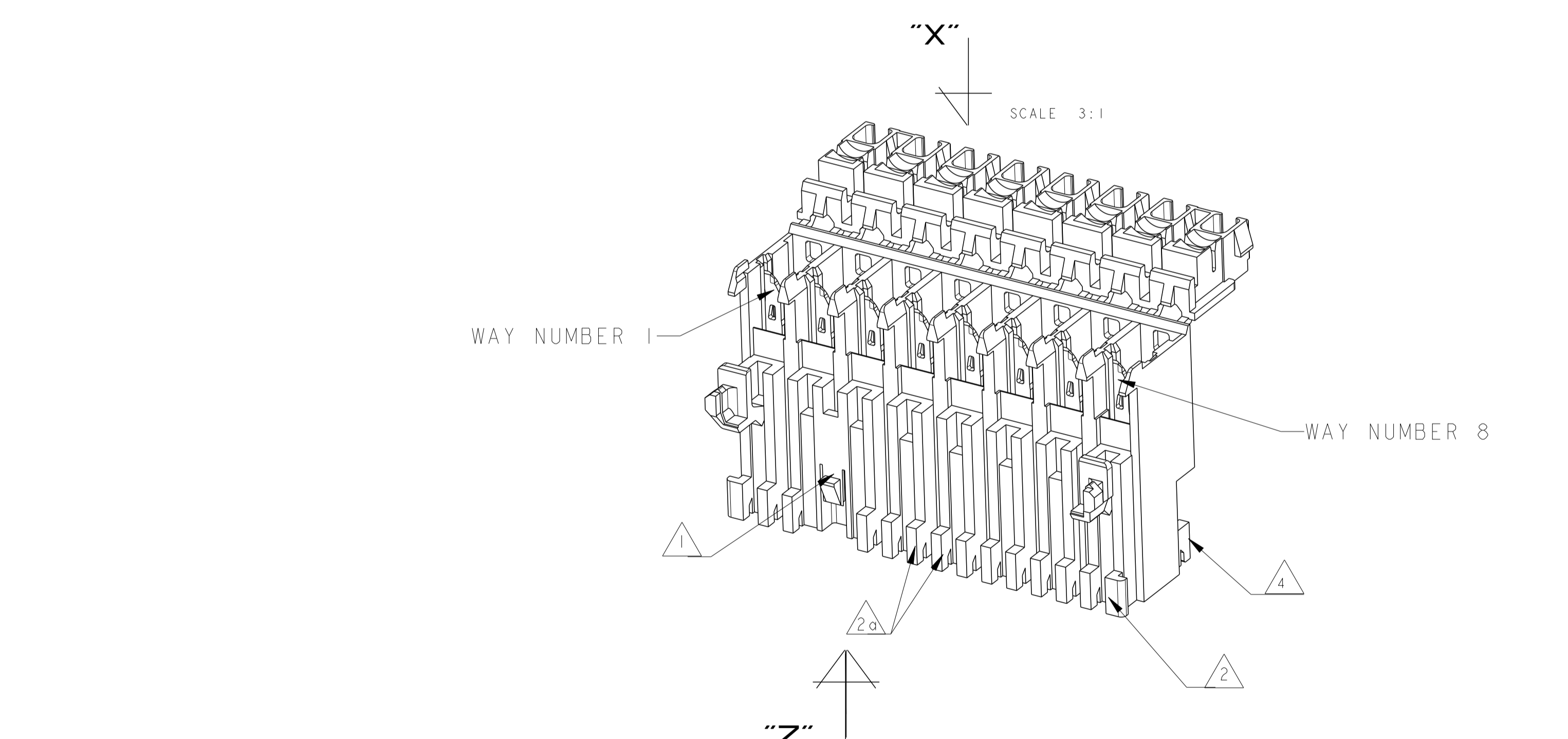
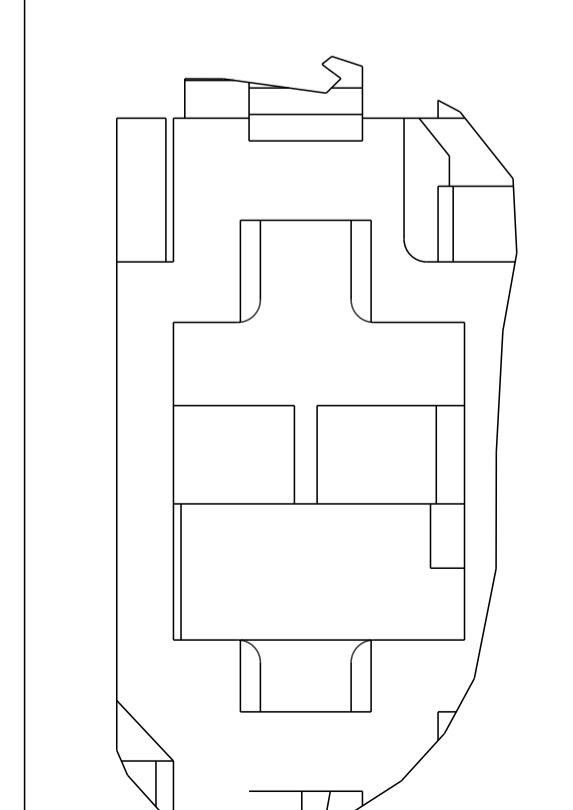
NATURAL PA 66 - UL94-V0 and GWIT 750 NF VERSION (OBSOLETE)

No. OF POS	DIM. "L"	PART NUMBER	ASS'Y REV.	NOTE	COLOR CODE
1	5.0	4-284471-1	A	-	-
2	10.0	4-284472-3	A	-	RED
2	10.0	4-284472-4	A	-	BLACK
2	10.0	4-284472-5	A	-	GRAY
3	15.0	4-284473-5	A	-	ORANGE
3	15.0	4-284473-6	A	-	GRAY
4	20.0	4-284474-3	A	-	RED
5	25.0	4-284475-2	A	-	RED
6	30.0	4-284476-5	A	-	ORANGE
7	35.0	4-284477-2	A	-	BLUE
8	40.0	4-284478-3	A	-	RED
8	40.0	4-284478-4	A	-	VIOLET
9	45.0	4-284479-1	A	-	-

FOR PRODUCT LISTED ON THIS SHEET TABLE FOR 2 AND 3 POSITION CONN. ONLY, CAVITY N°1 (FIRST CAVITY) HAS NO RIBS INSIDE THE CAVITY. RETENTION TOOTH IS PRESENT SEE DETAIL -AA-
CAVITY ON WAY N1 DETAIL - AA VIEW FROM "Z" SCALE 10:1



FOR PRODUCT LISTED ON THIS SHEET TABLE FOR PN X-284472-5 AND ALL PART NUMBERS FROM 4 UP TO 9 POSITION CONN. CAVITY N°1 (FIRST CAVITY) HAS THE SAME GEOMETRY AS PER LAST CAVITY. NO RIBS AND RETENTION TOOTH INSIDE THE CAVITY SEE DETAIL -BB-
CAVITY WITHOUT INTERIOR LOCKING ON WAY N1 DETAIL - BB VIEW FROM "Z" SCALE 10:1

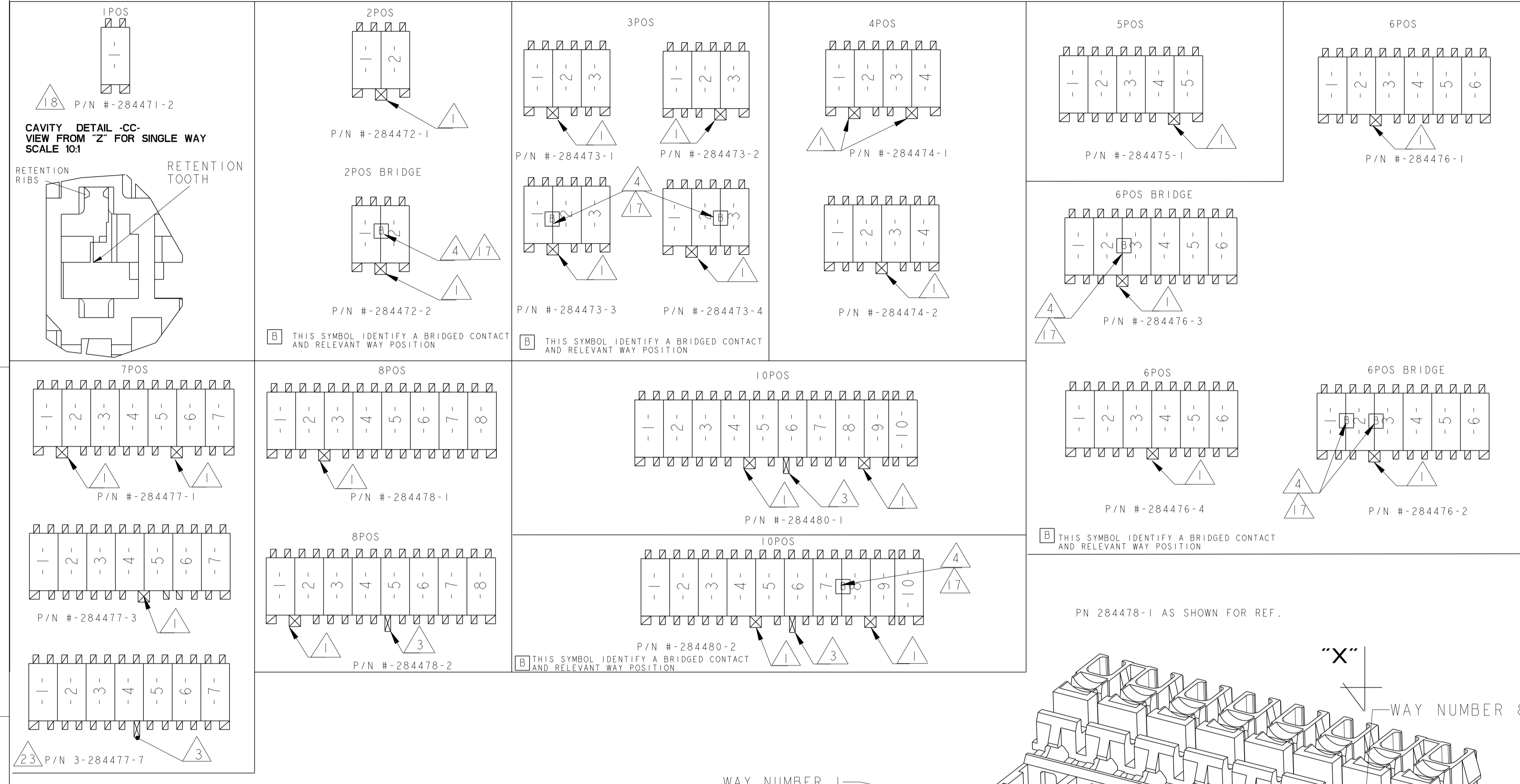


THIS DRAWING IS A CONTROLLED DOCUMENT. DIMENSIONS: mm. TOLERANCES UNLESS OTHERWISE SPECIFIED: 0 PLC ± 0.5, 1 PLC ± 0.3, 2 PLC ± 0.3, 3 PLC ± 0.3, 4 PLC ± 0.3, ANGLES ± 1. MATERIAL: SEE SHEET 1. FINISH: SEE SHEET 1. WEIGHT: SEE SHEET 1. CUSTOMER DRAWING. DWN: M. COLOMBO, CHK: G. TURCO, APVD: G. TURCO. PRODUCT SPEC: SEE SHEET 1. APPLICATION SPEC: SEE SHEET 1. NAME: AMP MONO-SHAPE Mark 1 I 1-10 POS TAB CONNECTORS. SIZE: A1. CAGE CODE: C=284471. DRAWING NO: 20APR2000. SCALE: 5:1. SHEET: 3 OF 5. REV: G.10.

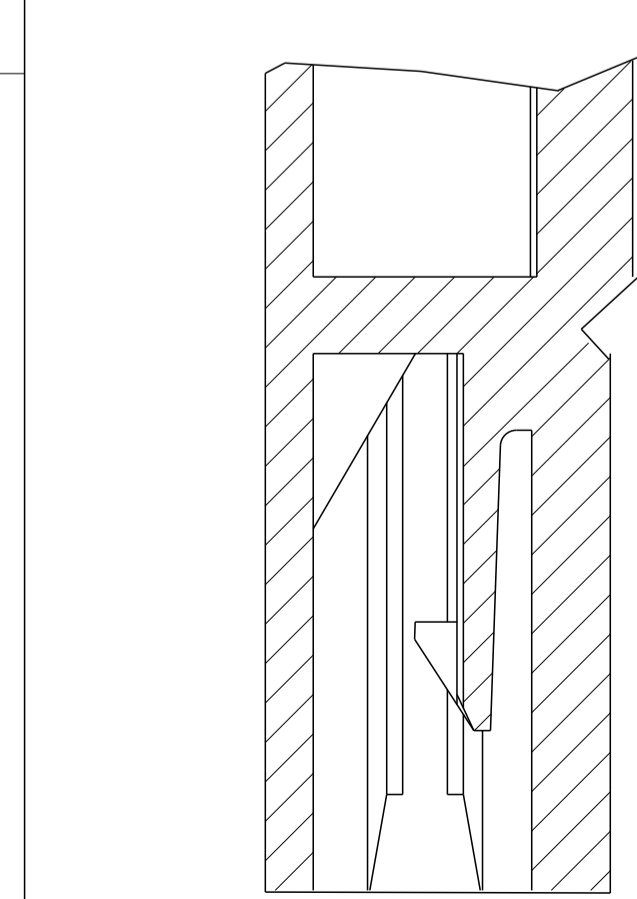
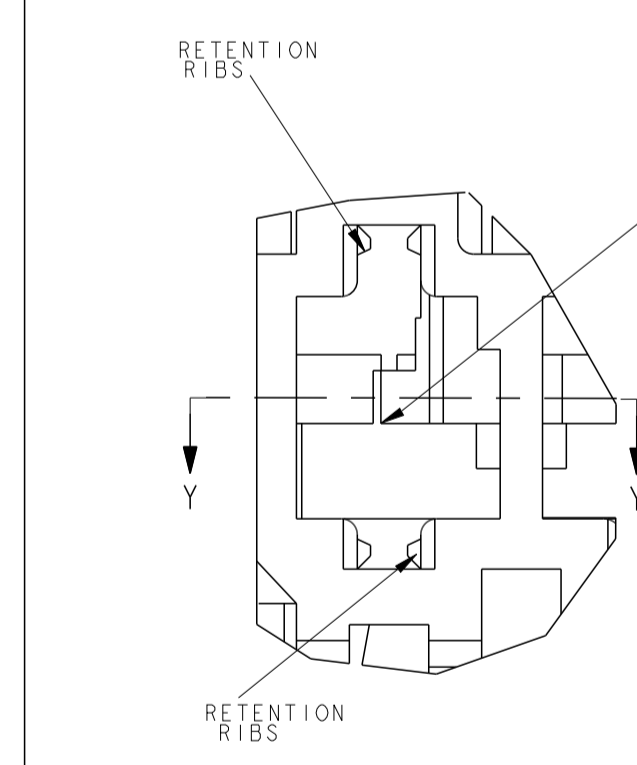
TABCONNECTORS FOR COPPER ALLOY, UNSHROUDED TAB COUNTERPART. VERSION DESIGNED WITH RIBS AND RETENTION TOOTH IN CAVITY WAY N.1 - SEE DETAIL "CC"

LOC	DIST	REVISONS	USED ON
1	-	DESCRIPTION	DATE
SEE SHEET 1			

KEYING LAYOUT - SCHEMATIC VIEW FROM "X"

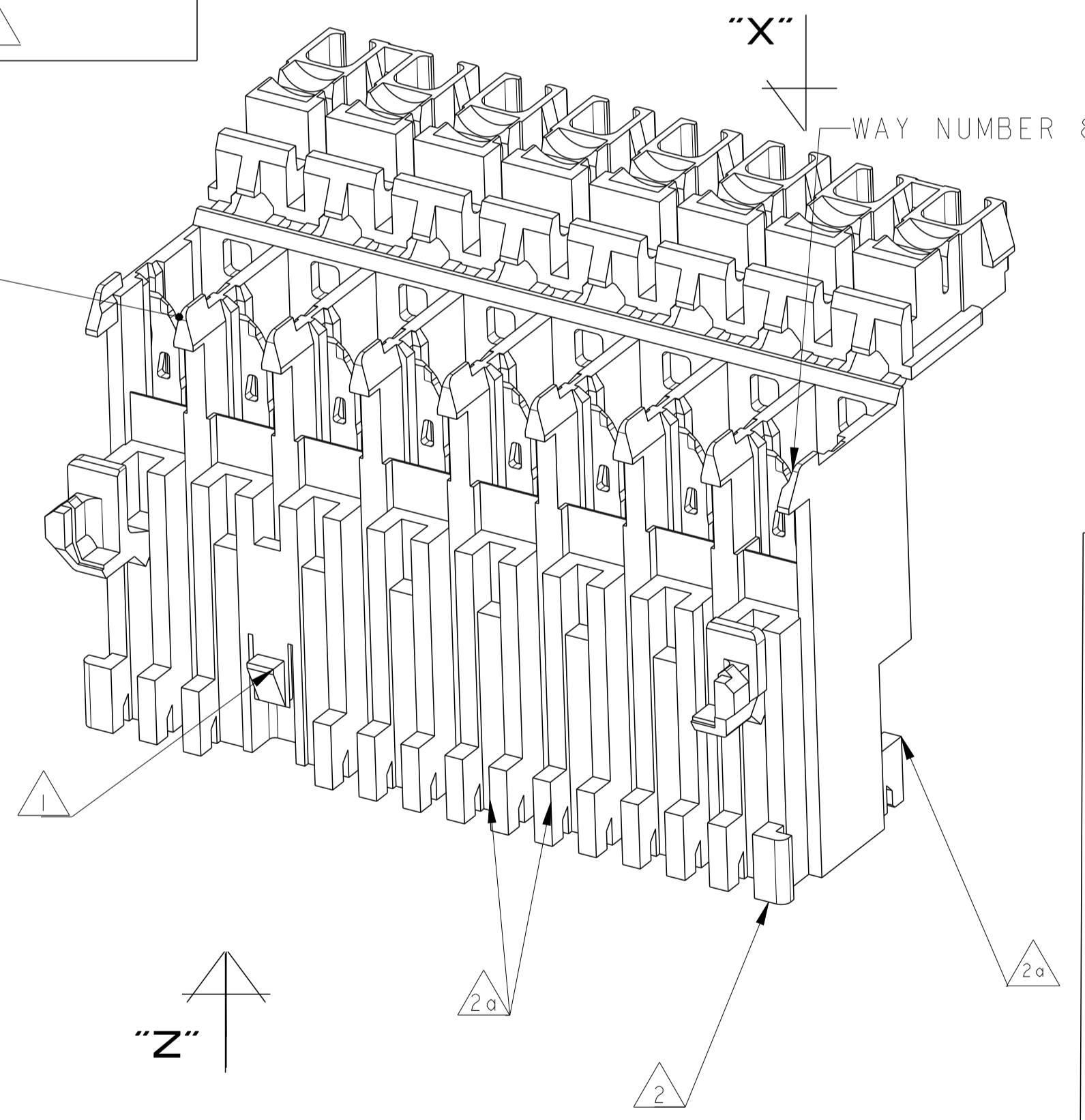


CAVITY ON WAY N1 DETAIL - CC-VIEW FROM "Z" FOR POS 2 TO 10 SCALE 10:1



INNER CAVITY, PARTIAL SECTION Y-Y DETAIL FOR RETENTION TOOTH AND RIBS

- 1 SYMBOL USED TO IDENTIFY LOCKING LANCE BETWEEN CAVITY-NO.
- 2 KEYING RIB ON FIRST AND LAST CAVITY SEE ALSO NOTE 15
- 2a TYPICAL KEYING RIB SEE ALSO NOTE 15
- 3 SYMBOL USED FOR SPECIAL KEYING FOR MOTOR MOUNT APPLICATIONS FOR PRESENCE AND PROPER POSITION SEE SKETCH ON RELEVANT PART NUMBER
- 4 FOR BRIDGE CONFIGURATIONS PN 284472-2 THE CAVITY NUMBER 2 IS CLOGGED ON THE FRONT SIDE, THIS WILL PREVENT TAB INSERTION ONLY WAY NUMBER ONE CAN ACCEPT TAB COUNTERPART. SEE SKETCH ON THE LAST SHEET
- 5 MANUFACTURER LOGO FREE POSITION
- 6 CIRCUIT IDENTIFICATION
- 7 BECOMES 6.5 FOR SINGLE WAY AND FIRST AND LAST CAVITY
- 8 PACKAGING PER SPEC. 107-20213
- 9 MATERIALS:
 - HOUSINGS: NYLON UNFILLED, BASED ON PRODUCT APPLICATION DIFFERENT TYPE OF MATERIAL ARE AVAILABLE,
 - UL94-V2 GRADE - PRE DASH 0
 - UL94-V0 GRADE - PRE DASH 1
 - UL94-V2 & GLOW WIRE 750* NO FLAME GRADE - PRE DASH 3
 - UL94-V0 & GLOW WIRE 750* NO FLAME GRADE - PRE DASH 4
 FOR DETAIL SEE RELEVANT TABLE.
 - CONTACTS: HIGH CONDUCTIVITY COPPER ALLOY
- 10 CONTACT POSITION IN HOUSING CAVITY
- 11 COLOUR: SEE TABLE FOR P/Ns IDENTIFICATION BEFORE CRIMPING OPERATION, ONLY DEFINITIVE COLOR MARKING TO BE MADE BY APPLICATION MACHINE.
- 12 STRIP-CLIPS TO BE CUT OFF BY APPLICATION MACHINE
- 13 CONNECTOR SUITABLE FOR COPPER ALLOY TAB 6.3x0.8 COUNTERPART, DIMENSIONS ACCORDING TO DIN 46244
- 14 VERSIONS NOT RELEASED FOR PRODUCTION
- 15 INDIVIDUAL KEYING CUT OFF TO BE MADE BY APPLICATION MACHINE



- 16 CONNECTOR SUITABLE FOR A WIRE RANGE FROM 0.5 UP TO 1.5 SQ. mm SECTION (SEE PRODUCT SPEC. 108-20213 AND APPLICATION SPEC. 114-20103 & 114-20111)
- 17 BRIDGE CONNECTOR ARE FOR SPECIAL APPLICATION AND SUITABLE FOR A WIRE RANGE FROM 0.5 UP TO 1.0 SQ. mm, WIRE 1.5 SQ. mm SECTION CAN BE USED BUT THE CURRENT LIMIT IS STILL 10 A MAX.
- 18 CONNECTOR MANUFACTURED FOR SPECIAL APPLICATION VERSION HAVING ADDITIONAL RETENTION RIBS IN CAVITY
- 19 OBSOLETE: OBSOLETE CIS STREAMLINING PER D.RENAUD/D.SINISI
- 20 OBSOLETE
- 21 -
- 22 RIGID LOCKING LATCH FOR HIGH RETENTION FORCE. For Details see Sheet 5 of 5

NATURAL PA 66 - UL94-V2 VERSION (SUPERSEDED)

No. OF POS	DIM. "L"	PART NUMBER	ASS'Y REV.	NOTE	COLOR CODE
-	-	-	-	-	-
2	10.0	0-284472-1	D	-	-
2	10.0	0-284472-2	D	BRIDGE (1-2)	BLUE
3	15.0	0-284473-1	D	-	-
3	15.0	0-284473-2	C	-	BLUE
3	15.0	0-284473-3	C	BRIDGE (1-2)	RED
3	15.0	0-284473-4	F	BRIDGE (2-3)	VIOLET
4	20.0	0-284474-1	D	-	-
4	20.0	0-284474-2	D	-	BLUE
5	25.0	0-284475-1	D	-	-
6	30.0	0-284476-1	D	-	-
6	30.0	0-284476-2	D	BRIDGE (1-2-3)	BLUE
6	30.0	0-284476-3	D	BRIDGE (2-3)	RED
6	30.0	0-284476-4	D	-	VIOLET
7	35.0	0-284477-1	D	-	-
7	35.0	0-284477-3	D	-	RED
8	40.0	0-284478-1	D	-	-
8	40.0	0-284478-2	A	-	BLUE
10	50.0	0-284480-1	D	-	-
10	50.0	0-284480-2	D	BRIDGE 7-8	BLUE

NATURAL PA 66 - UL94-V0 VERSION (OBSOLETE)

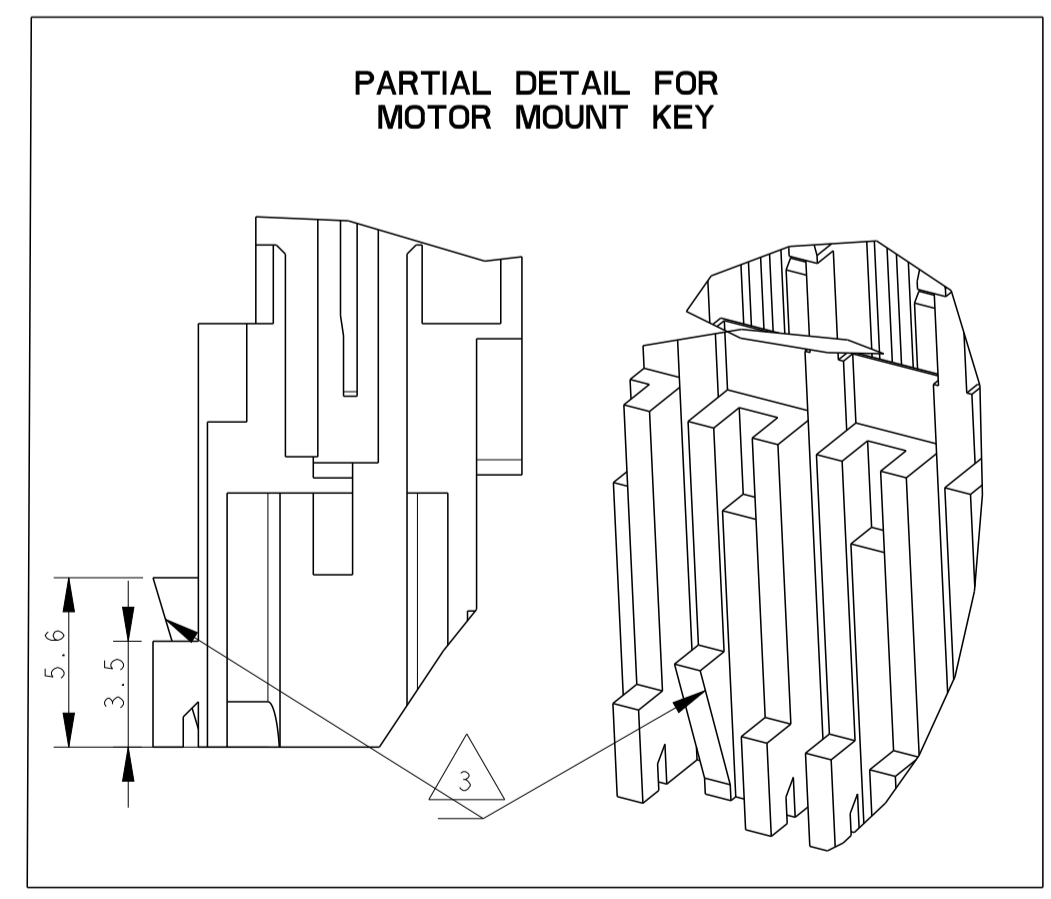
No. OF POS	DIM. "L"	PART NUMBER	ASS'Y REV.	NOTE	COLOR CODE
-	-	-	-	-	-
2	10.0	1-284472-1	D	-	-
2	10.0	1-284472-2	D	BRIDGE (1-2)	BLUE
3	15.0	1-284473-1	D	-	-
3	15.0	1-284473-2	D	-	BLUE
3	15.0	1-284473-3	D	BRIDGE (1-2)	RED
3	15.0	1-284473-4	D	BRIDGE (2-3)	VIOLET
4	20.0	1-284474-1	D	-	-
4	20.0	1-284474-2	D	-	BLUE
5	25.0	1-284475-1	D	-	-
6	30.0	1-284476-1	D	-	-
6	30.0	1-284476-2	D	BRIDGE (1-2-3)	BLUE
6	30.0	1-284476-3	D	BRIDGE (2-3)	RED
6	30.0	1-284476-4	D	-	VIOLET
7	35.0	1-284477-1	D	-	-
7	35.0	1-284477-3	D	-	RED
8	40.0	1-284478-1	D	-	-
8	40.0	1-284478-2	D	-	BLUE
10	50.0	1-284480-1	D	-	-
10	50.0	1-284480-2	D	BRIDGE 7-8	BLUE

NATURAL PA 66 G.W. 750 NO FLAME VERSION (OBSOLETE)

No. OF POS	DIM. "L"	PART NUMBER	ASS'Y REV.	NOTE	COLOR CODE
1	5.0	3-284471-2	A	-	-
2	10.0	3-284472-1	B	-	-
2	10.0	3-284472-2	F	BRIDGE (1-2)	BLUE
3	15.0	3-284473-1	B	-	-
3	15.0	3-284473-2	B	-	BLUE
3	15.0	3-284473-3	A	BRIDGE (1-2)	RED
3	15.0	3-284473-4	F	BRIDGE (2-3)	VIOLET
4	20.0	3-284474-1	B	-	-
4	20.0	3-284474-2	F	-	BLUE
5	25.0	3-284475-1	B	-	-
6	30.0	3-284476-1	B	-	-
6	30.0	3-284476-2	A	BRIDGE (1-2-3)	BLUE
6	30.0	3-284476-3	A	BRIDGE (2-3)	RED
6	30.0	3-284476-4	A	-	VIOLET
7	35.0	3-284477-1	F	-	-
7	35.0	3-284477-3	F	-	RED
7	35.0	3-284477-7	A	-	-
8	40.0	3-284478-1	F	-	-
8	40.0	3-284478-2	D	-	BLUE
10	50.0	3-284480-1	F	-	-
10	50.0	3-284480-2	F	BRIDGE 7-8	BLUE

NATURAL PA 66 - UL94-V0 and GWIT 750 NF VERSION (PRELIMINARY-NOT YET IN PRODUCTION)

No. OF POS	DIM. "L"	PART NUMBER	ASS'Y REV.	NOTE	COLOR CODE
1	5.0	4-284471-2	A	-	-
2	10.0	4-284472-1	A	-	-
2	10.0	4-284472-2	A	BRIDGE (1-2)	BLUE
3	15.0	4-284473-1	A	-	-
3	15.0	4-284473-2	A	-	BLUE
3	15.0	4-284473-3	A	BRIDGE (1-2)	RED
3	15.0	4-284473-4	A	BRIDGE (2-3)	VIOLET
4	20.0	4-284474-1	A	-	-
4	20.0	4-284474-2	A	-	BLUE
5	25.0	4-284475-1	A	-	-
6	30.0	4-284476-1	A	-	-
6	30.0	4-284476-2	A	BRIDGE (1-2-3)	BLUE
6	30.0	4-284476-3	A	BRIDGE (2-3)	RED
6	30.0	4-284476-4	A	-	VIOLET
7	35.0	4-284477-1	A	-	-
7	35.0	4-284477-3	A	-	RED
8	40.0	4-284478-1	A	-	-
8	40.0	4-284478-2	A	-	BLUE
10	50.0	4-284480-1	A	-	-
10	50.0	4-284480-2	A	BRIDGE 7-8	BLUE



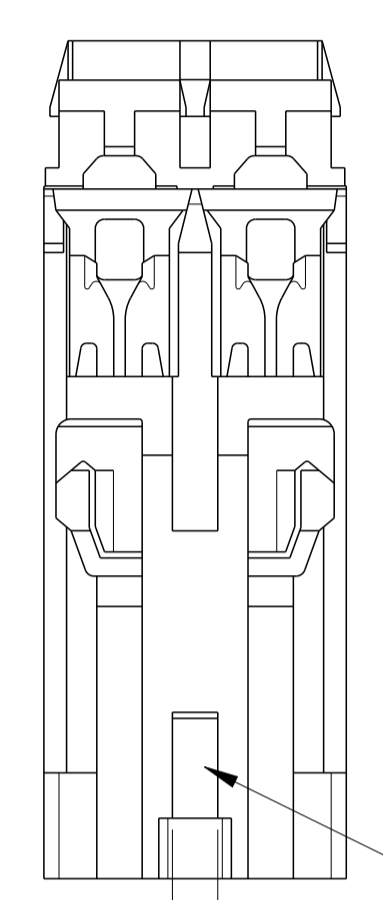
- 23 RETENTION RIBS AND RETENTION TOOTH ARE REMOVED ON CAVITY 1 FOR PN 3-284477-7

THIS DRAWING IS A CONTROLLED DOCUMENT.		OWN: M. COLOMBO 20APR2000	TE Connectivity AMP MONO-SHAPE Mark II 1-10 POS TAB CONNECTORS
DIMENSIONS: mm		CHK: G. TURCO 20APR2000	
TOLERANCES UNLESS OTHERWISE SPECIFIED:		APVD: G. TURCO 20APR2000	NAME: SEE SHEET 1
0 PLC ±0.5		PRODUCT SPEC: SEE SHEET 1	APPLICATION SPEC: SEE SHEET 1
1 PLC ±0.3		WEIGHT: -	SIZE: A1
2 PLC ±0.2		CAGE CODE: C=284471	DRAWING NO: -
3 PLC ±0.1		RESTRICTED TO: -	SCALE: 5:1
4 PLC ±0.1		SHEET: 4 OF 5	REV: 610
MATERIAL: SEE SHEET 1		CUSTOMER DRAWING	

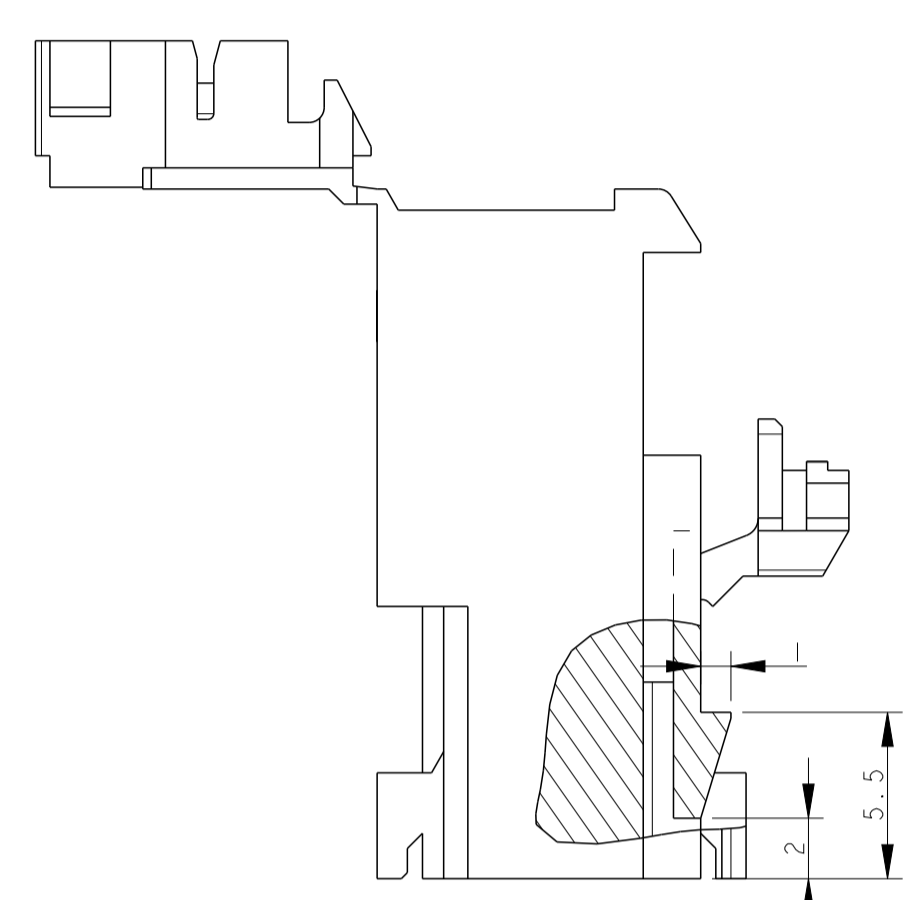
22

RIGID LOCKING LATCHES FOR HIGH RETENTION FORCE

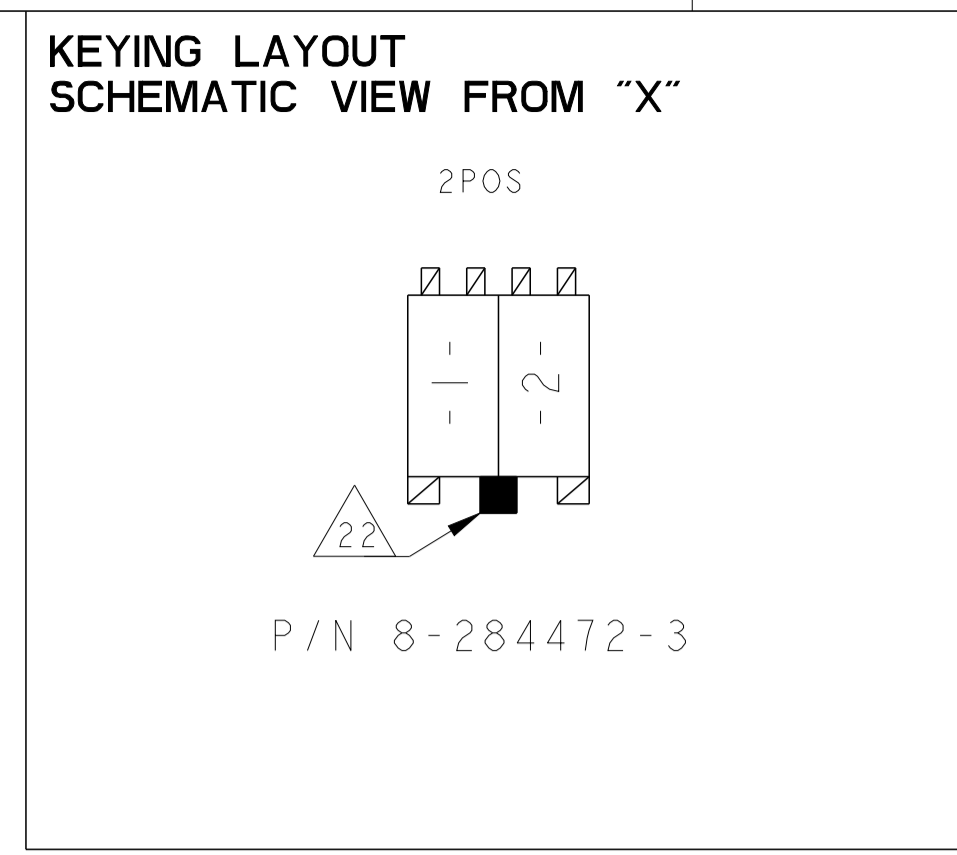
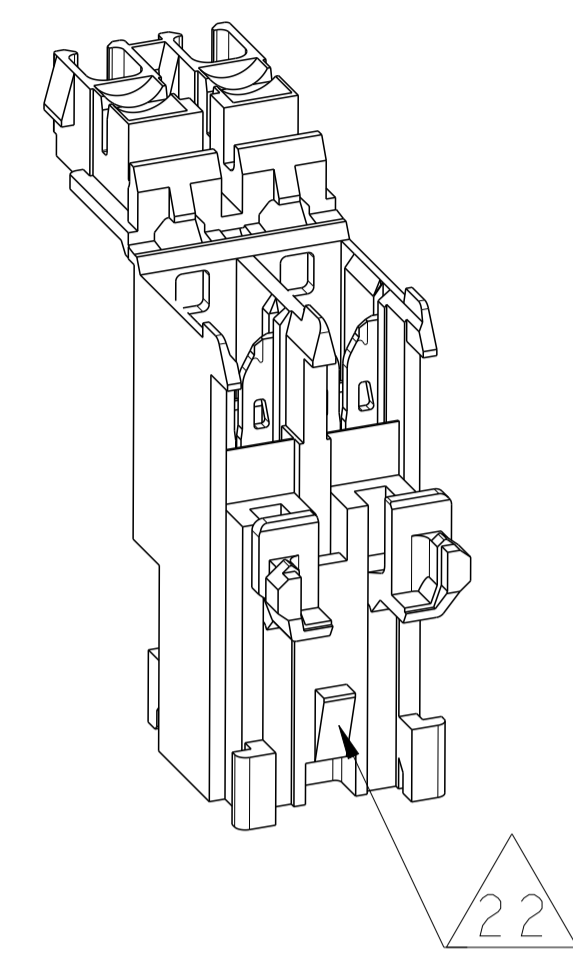
P/N 8-284472-3



SCALE 4:1
1.5



SECTION A-A



LOC	DIST	REVISIONS			
P	LTN	DESCRIPTION	DATE	DWN	APVD
		SEE SHEET 1			

THIS P/N 8-284472-3 IS SIMILAR TO 3-284472-3, BUT WITH RIGID LOCKING LATCH.

9
NATURAL PA 66
G.W. 750 NO FLAME VERSION
(OBSOLETE)

No. OF POS	DIM. "L"	PART NUMBER	ASS'Y REV.	NOTE	COLOR CODE
1	-	-	-	-	-
2	10.0	8-284472-3	B	-	BLACK
2					
2					
3					
3					
4					
5					
5					
6					
7					
7					
8					
8					
9					

THIS DRAWING IS A CONTROLLED DOCUMENT.

DIMENSIONS: mm	TOLERANCES UNLESS OTHERWISE SPECIFIED: 0 PLC ±0.5 1 PLC ±0.3 2 PLC ± 3 PLC ± 4 PLC ± ANGLES ±1	DWN M. COLOMBO Z0APR2000 CHK G. TURCO Z0APR2000 APVD G. TURCO Z0APR2000	TE Connectivity
	SEE NOTE	PRODUCT SPEC SEE SHEET 1 APPLICATION SPEC SEE SHEET 1	NAME AMP MONO-SHAPE Mark II 1-10 POS TAB CONNECTORS
MATERIAL SEE SHEET 1	FINISH SEE NOTE	WEIGHT A1 C=284471	RESTRICTED TO
CUSTOMER DRAWING		SCALE 5:1	SHEET 5 OF 5 REV. G10