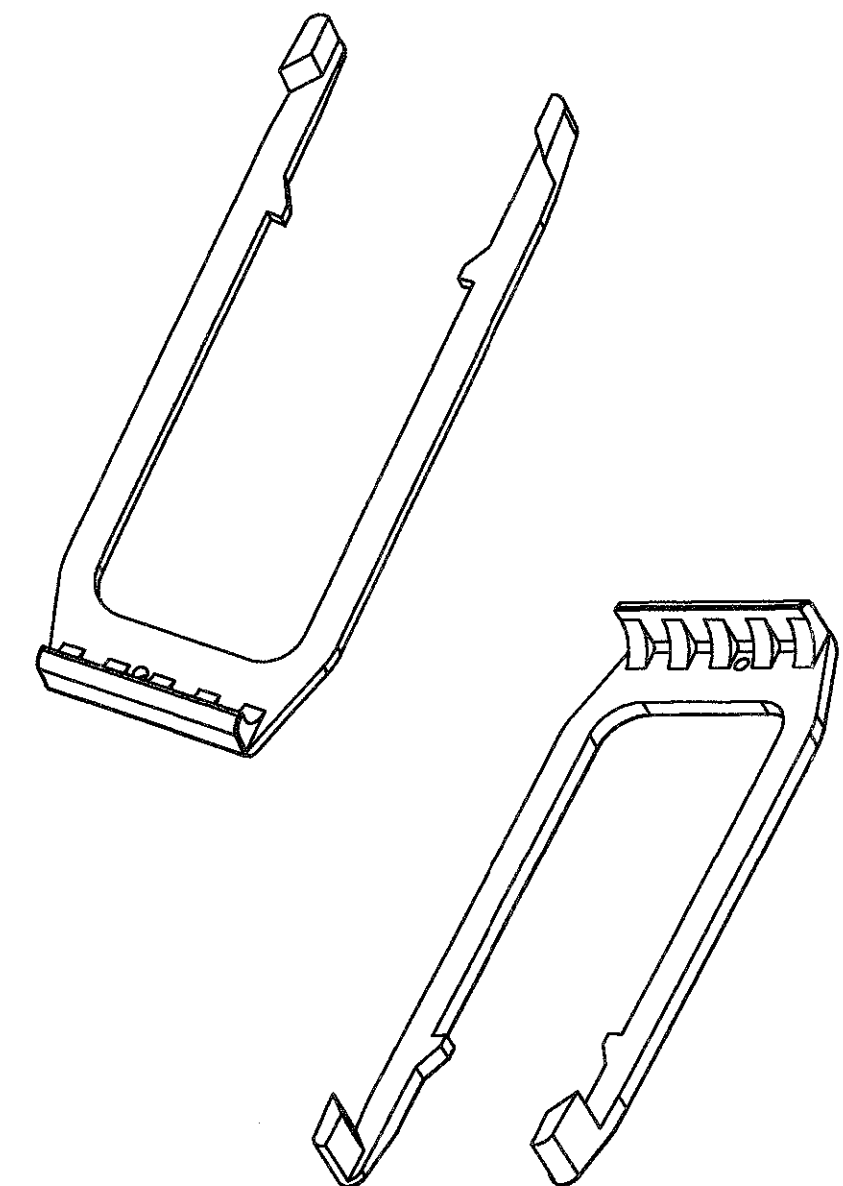
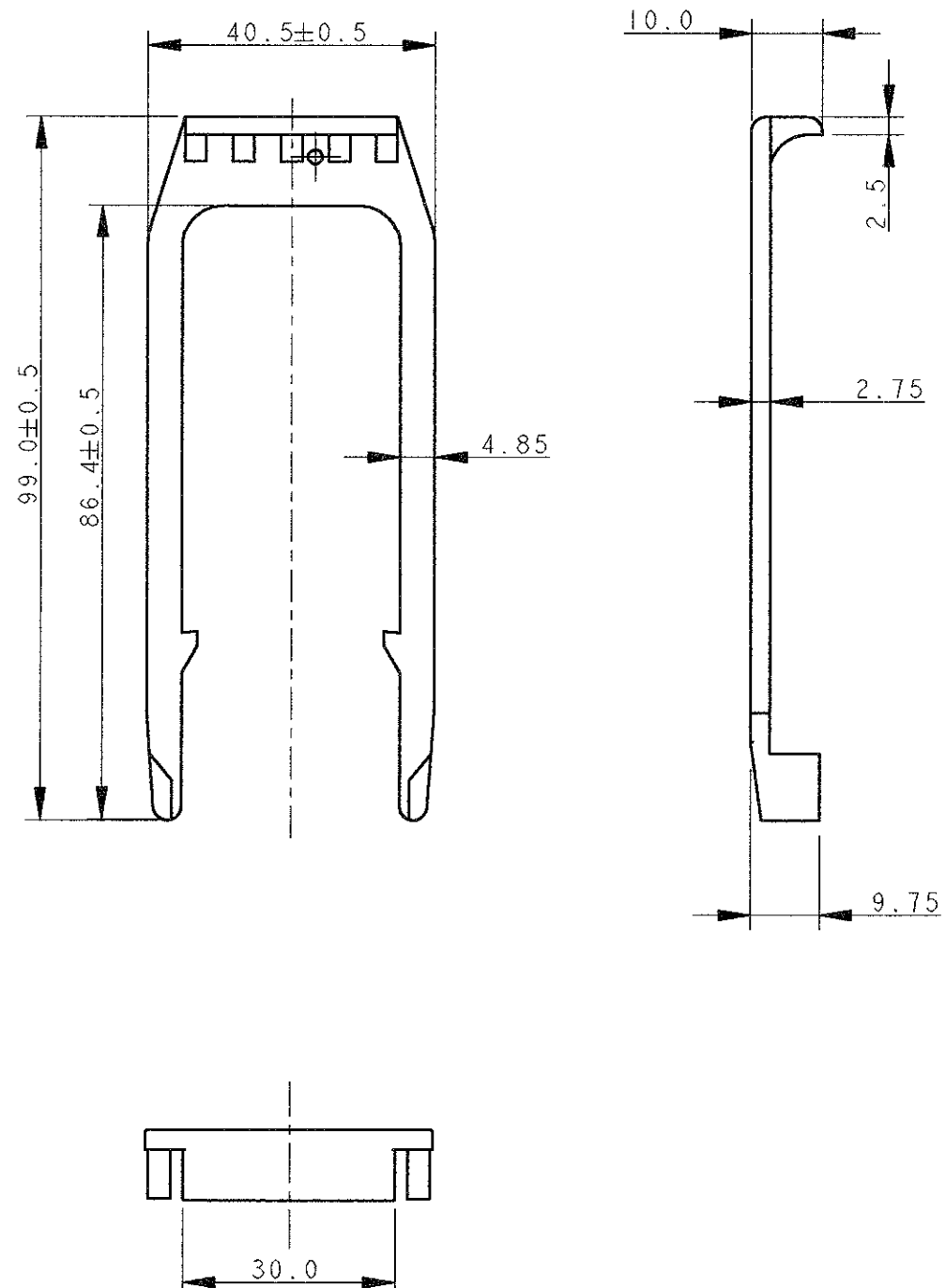


P	LTR	DESCRIPTION	DATE	DW	APVD
A		FIRST ISSUE, EC 346-99, WAS Dwg. No. 284255	01DEC99	C.F.	O.C.
A1		AGGIORNATO (UP-DATED), ET00-0073-00	27MAR2000	C.F.	O.C.
A2		RELEASED FOR PROD. (ET00-569-01)	19 OCT 01	C.F.	O.C.



P/N 284352-1 COME RAPPRESENTATO
(P/N 284352-1 AS SHOWN)

<small>THIS DRAWING IS A CONTROLLED DOCUMENT FOR AMP INCORPORATED. IT IS SUBJECT TO CHANGE AND THE CONTROLLING ENGINEERING ORGANIZATION SHOULD BE CONTACTED FOR THE LATEST REVISION.</small>		DWN C. PIA	01DEC99	AMP Italia S.p.A. C.so F.lli Cervi 15 Collegno (TO)
DIMENSIONS: mm		CHK O. CANUTO	01DEC99	
TOLERANCES UNLESS OTHERWISE SPECIFIED: 0 PLC ± 0.3 1 PLC ± 0.3 2 PLC ± 0.3 3 PLC \pm 4 PLC ± 0.0000 ANGLES ± 2		APVD A. GENTA	01DEC99	NAME RETENTION CLIP FOR MEDIUM AND HEAVY TRUCK VERSION
MATERIAL		PRODUCT SPEC	-	SIZE A3
FINISH -		APPLICATION SPEC	-	CAGE CODE 00779
		WEIGHT	-	DRAWING NO C-284352
		CUSTOMER DRAWING		SCALE 1:1 SHEET 1 OF 1 REV A2

MATERIALE : POLIAMMIDE 6.6 CARICATO VETRO, COLORE ROSSO.
(MATERIAL: POLYAMIDE 6.6 GLASS FILLED, RED COLOUR)