

THIS DRAWING IS UNPUBLISHED.

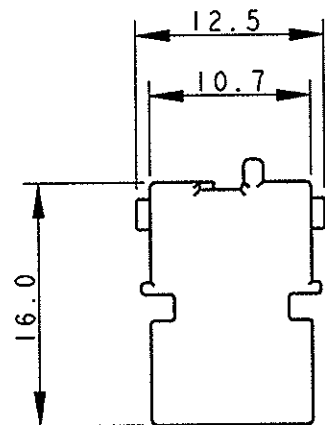
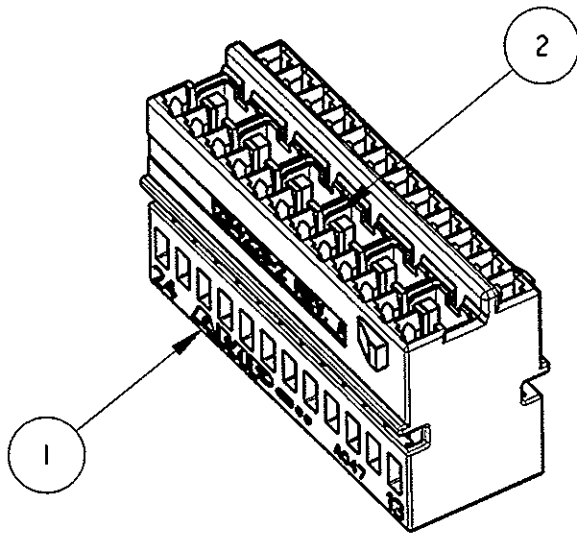
RELEASED FOR PUBLICATION

2001

© COPYRIGHT 2001

BY TYCO ELECTRONICS CORPORATION. ALL RIGHTS RESERVED.

LOC	DIST	REVISIONS			
P	LTR	DESCRIPTION	DATE	DWN	APVD
1	-	0	PRELIMINARY ISSUE	04MAY2001	M.B. O.C.
		A	FIRST ISSUE (ET00-0117-02)	21JUN2002	M.B. O.C.
		A1	RELEASED FOR PRODUCTION (ET00-0235-04)	10DEC2004	M.B. <i>[Signature]</i>

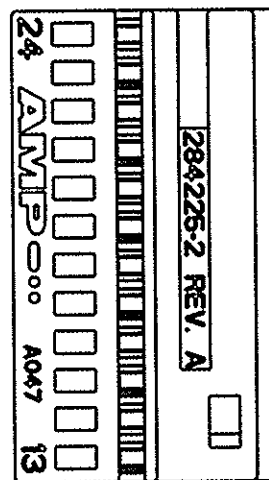
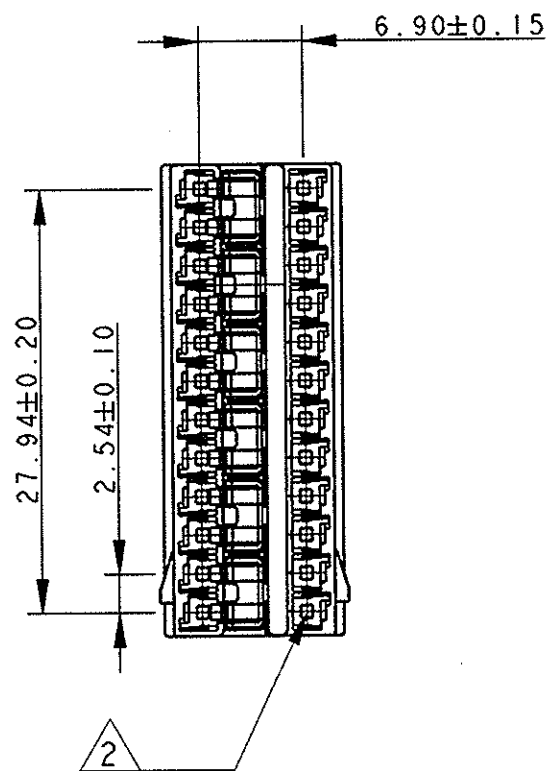
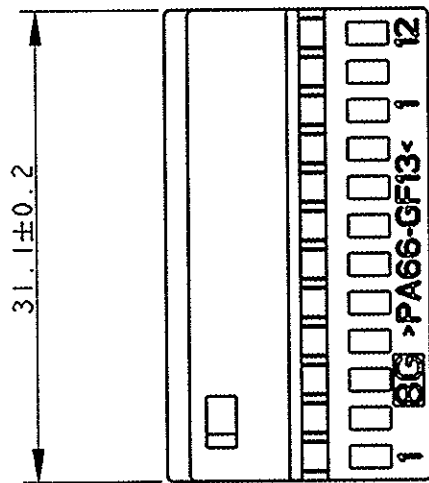


ITEM (VOCE)	DESCRIPTION (DESCRIZIONE)	MATERIAL (MATERIALE)	Q.TY (Q.TA')
1	HOUSING (BLOCCHETTO)	PA 66 GF COLOR BLACK (COLORE NERO)	1
2	SHORT CIRCUIT SPRING (MOLLA DI CORTO CIRCUITO)	STAINLESS STEEL (ACCIAIO INOX)	6

NOTES (NOTE)

1) HOUSING SUITABLE FOR SHELL P/N 284714-2 (BLOCCHETTO ADATTO PER LA CORAZZA P/N 284714-2)

2) N° 24 CAVITIES SUITABLE FOR FEMALE CONNECTORS MOS P/N 144969-2 CuNiSi + STAINLESS STEEL SPRING GOLD PLATED ON CONTACT AREA AND IN THE BACK OF THE SPRING WIRE SIZE 0.35-0.5 mm2 (N° 24 CAVITA' ADATTE PER CONTATTI FEMMINA MOS P/N 144969-2 CuNiSi + MOLLA ACCIAIO INOX DORATURA NELLA ZONA DI CONTATTO E SUL DORSO DELLA MOLLA RANGO FILO 0.35-0.5 mm2)



284224-2 AS SHOWN (COME MOSTRATO)

<small>THIS DRAWING IS A CONTROLLED DOCUMENT FOR TYCO ELECTRONICS CORPORATION IT IS SUBJECT TO CHANGE AND THE CONTROLLING ENGINEERING ORGANIZATION SHOULD BE CONTACTED FOR THE LATEST REVISION.</small>		DWN 03MAY2001 <b>M. BARBERIS</b> CHK 03MAY2001 <b>O. CANUTO</b> APVD <b>A. GENTA</b>	<b>tyco Electronics</b> tyco Electronics AMP Italia S.p.A. C.so F.lli Cervi, 15 Collegno (TO)	
DIMENSIONS: mm	TOLERANCES UNLESS OTHERWISE SPECIFIED: 0 PLC ±0.3 1 PLC ±0.2 2 PLC ±0.2 3 PLC ± 4 PLC ± ANGLES ±1°	PRODUCT SPEC 108-20202 APPLICATION SPEC 114-15077	NAME 24 POSITIONS REC. HOUSING ASS'Y FOR AIRBAG	
MATERIAL SEE TABLE (VEDI TABELLA)	FINISH SEE TABLE (VEDI TABELLA)	WEIGHT -	SIZE A3 CAGE CODE 00779 DRAWING NO C=284224	RESTRICTED TO -
CUSTOMER DRAWING			SCALE 2:1	SHEET 1 OF 4 REV A1

THIS DRAWING IS UNPUBLISHED.

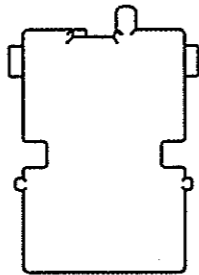
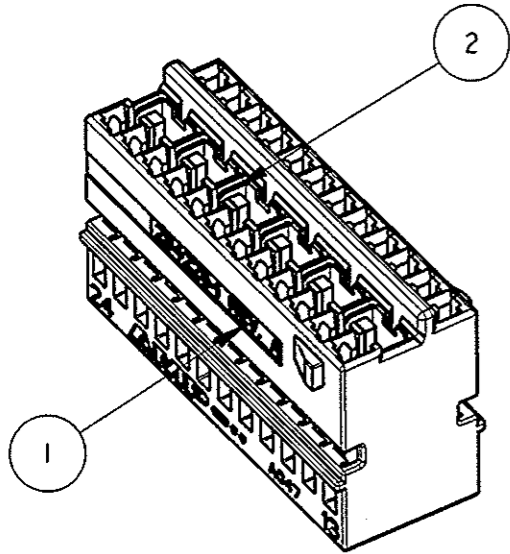
RELEASED FOR PUBLICATION

2001

© COPYRIGHT 2001 BY TYCO ELECTRONICS CORPORATION. ALL RIGHTS RESERVED.

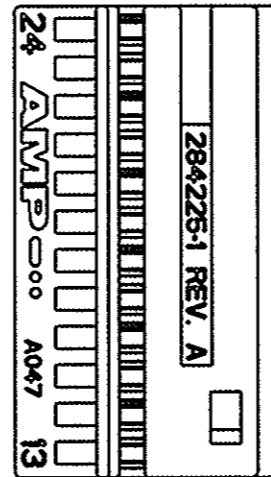
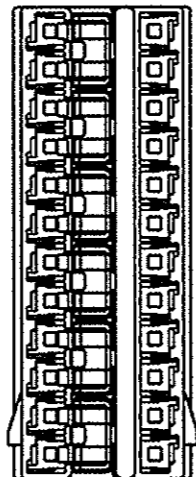
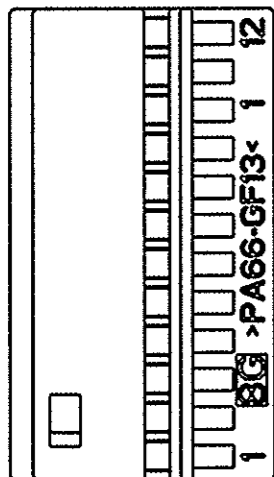
LOC	DIST	REVISIONS			
P	LTR	DESCRIPTION	DATE	DWN	APVD
1	-	SEE SHEET 1 (VEDI FOGLIO 1)			

ITEM (VOCE)	DESCRIPTION (DESCRIZIONE)	MATERIAL (MATERIALE)	Q.TY (Q.TA')
1	HOUSING (BLOCCHETTO)	PA 66 GF COLOR GRAY (COLORE GRIGIO)	1
2	SHORT CIRCUIT SPRING (MOLLA DI CORTO CIRCUITO)	STAINLESS STEEL (ACCIAIO INOX)	6



NOTES (NOTE)

- 1) HOUSING SUITABLE FOR SHELL P/N 284714-1 (BLOCCHETTO ADATTO PER LA CORAZZA P/N 284714-1)
- 2) FOR MISSING NOTES AND DIMENSIONS SEE P/N 284224-2, SHEET 1 OF 4 (PER LE NOTE E LE QUOTE MANCANTI VEDERE P/N 284224-2, FOGLIO 1 DI 4)



284224-1 AS SHOWN (COME MOSTRATO)

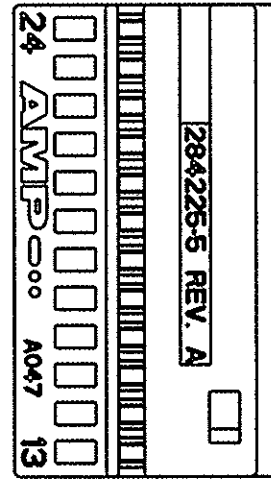
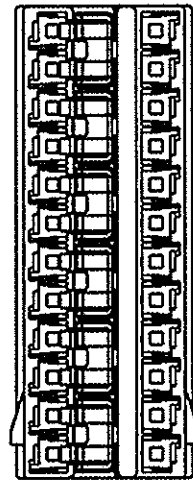
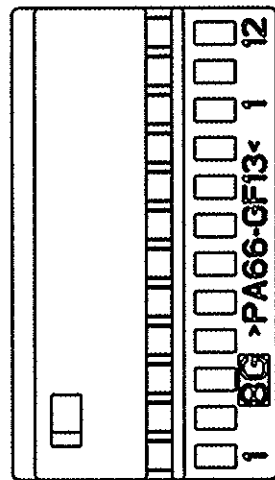
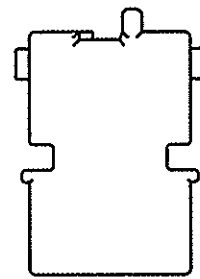
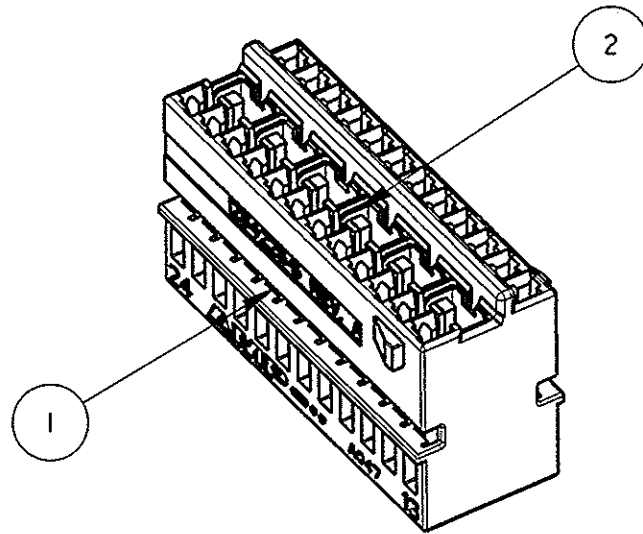
<small>THIS DRAWING IS A CONTROLLED DOCUMENT FOR TYCO ELECTRONICS CORPORATION. IT IS SUBJECT TO CHANGE AND THE CONTROLLING ENGINEERING ORGANIZATION SHOULD BE CONTACTED FOR THE LATEST REVISION.</small>		DWN M. BARBERIS 03MAY2001 CHK Q. CANUTO 03MAY2001 APVD A. GENTA PRODUCT SPEC 108-20202 APPLICATION SPEC 114-15077 WEIGHT -	<b>tyco</b> <b>Electronics</b> tyco Electronics AMP Italia S.p.A. C.so F.lli Cervi, 15 Collegno (TO)
DIMENSIONS: mm 	TOLERANCES UNLESS OTHERWISE SPECIFIED: 0 PLC ±0.3 1 PLC ±0.2 2 PLC ±0.2 3 PLC ± 4 PLC ± ANGLES ±1°	NAME 24 POSITIONS REC. HOUSING ASS'Y FOR AIRBAG SIZE A3 CAGE CODE 00779 DRAWING NO C-284224	RESTRICTED TO -
MATERIAL SEE TABLE (VEDI TABELLA) FINISH SEE TABLE (VEDI TABELLA)	CUSTOMER DRAWING SCALE 2:1 SHEET 2 OF 4 REV A1		

LOC	DIST	REVISIONS					
		P	LTR	DESCRIPTION	DATE	DWN	APVD
1	-			SEE SHEET 1 (VEDI FOGLIO 1)			

ITEM (VOCE)	DESCRIPTION (DESCRIZIONE)	MATERIAL (MATERIALE)	Q.TY (Q.TA')
1	HOUSING (BLOCCHETTO)	PA 66 GF COLOR BROWN (COLORE MARRONE)	1
2	SHORT CIRCUIT SPRING (MOLLA DI CORTO CIRCUITO)	STAINLESS STEEL (ACCIAIO INOX)	6

NOTES (NOTE)

- 1) HOUSING SUITABLE FOR SHELL P/N 284714-3 (BLOCCHETTO ADATTO PER LA CORAZZA P/N 284714-3)
- 2) FOR MISSING NOTES AND DIMENSIONS SEE P/N 284224-2, SHEET 1 OF 4 (PER LE NOTE E LE QUOTE MANCANTI VEDERE P/N 284714-2, FOGLIO 1 DI 4)



284224-5 AS SHOWN (COME MOSTRATO)

<small>THIS DRAWING IS A CONTROLLED DOCUMENT FOR TYCO ELECTRONICS CORPORATION. IT IS SUBJECT TO CHANGE AND THE CONTROLLING ENGINEERING ORGANIZATION SHOULD BE CONTACTED FOR THE LATEST REVISION.</small>		DWN M. BARBERIS 03MAY2001 CHK O. CANUTO 03MAY2001 APVD A. GENTA PRODUCT SPEC 108-20202 APPLICATION SPEC 114-15077 WEIGHT -	<b>tyco Electronics</b> tyco Electronics AMP Italia S.p.A. C.so F.lli Cervi, 15 Collegno (TO)
DIMENSIONS: mm 	TOLERANCES UNLESS OTHERWISE SPECIFIED: 0 PLC ±0.3 1 PLC ±0.2 2 PLC ±0.2 3 PLC ± 4 PLC ± ANGLES ±1°	NAME 24 POSITIONS REC. HOUSING ASS'Y FOR AIRBAG SIZE A3 CAGE CODE 00779 DRAWING NO C-284224	RESTRICTED TO -
MATERIAL SEE TABLE (VEDI TABELLA)	FINISH SEE TABLE (VEDI TABELLA)	SCALE 2:1 SHEET 3 OF 4 REV A1	CUSTOMER DRAWING

THIS DRAWING IS UNPUBLISHED.

RELEASED FOR PUBLICATION

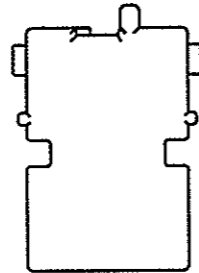
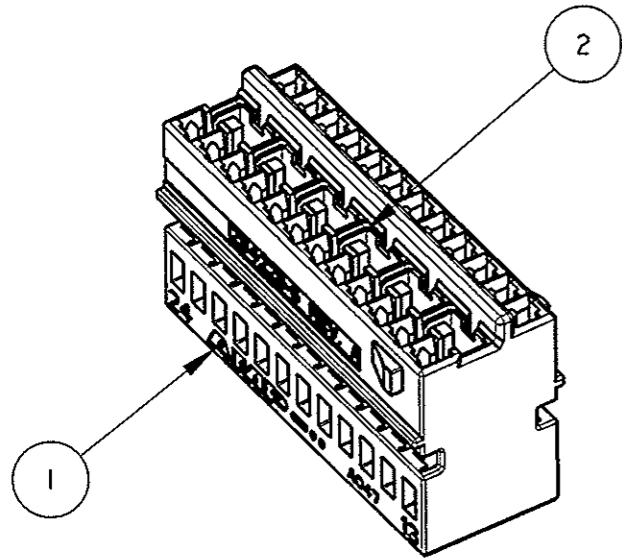
2001

© COPYRIGHT 2001

BY TYCO ELECTRONICS CORPORATION. ALL RIGHTS RESERVED.

LOC	DIST	REVISIONS					
		P	LTR	DESCRIPTION	DATE	DWN	APVD
1	-			SEE SHEET 1 (VEDI FOGLIO 1)			

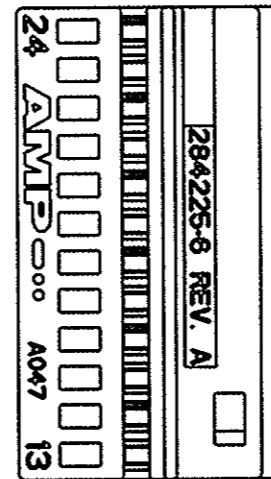
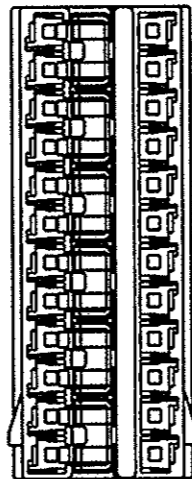
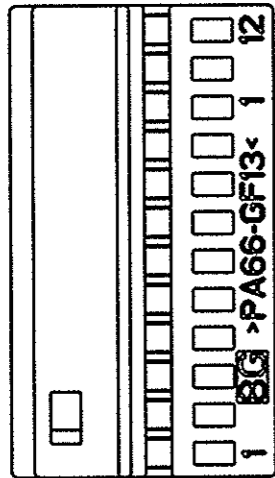
ITEM (VOCE)	DESCRIPTION (DESCRIZIONE)	MATERIAL (MATERIALE)	Q.TY (Q.TA')
1	HOUSING (BLOCCHETTO)	PA 66 GF COLOR BLUE (COLORE BLU)	1
2	SHORT CIRCUIT SPRING (MOLLA DI CORTO CIRCUITO)	STAINLESS STEEL (ACCIAIO INOX)	6



NOTES (NOTE)

1) HOUSING SUITABLE FOR SHELL P/N 284714-4 (BLOCCHETTO ADATTO PER LA CORAZZA P/N 284714-4)

2) FOR MISSING NOTES AND DIMENSIONS SEE P/N 284224-2, SHEET 1 OF 4 (PER LE NOTE E LE QUOTE MANCANTI VEDERE P/N 284224-2, FOGLIO 1 DI 4)



284224-6 AS SHOWN  
COME MOSTRATO

<small>THIS DRAWING IS A CONTROLLED DOCUMENT FOR TYCO ELECTRONICS CORPORATION. IT IS SUBJECT TO CHANGE AND THE CONTROLLING ENGINEERING ORGANIZATION SHOULD BE CONTACTED FOR THE LATEST REVISION.</small>		DWN M. BARBERIS 03MAY2001 CHK O. CANUTO 03MAY2001 APVD A. GENTA PRODUCT SPEC 108-20202 APPLICATION SPEC 114-15077 WEIGHT -	<b>tyco Electronics</b> tyco Electronics AMP Italia S.p.A. C.so F.lli Cervi, 15 Collegno (TO)
DIMENSIONS: mm 	TOLERANCES UNLESS OTHERWISE SPECIFIED: 0 PLC ±0.3 1 PLC ±0.2 2 PLC ±0.2 3 PLC ± 4 PLC ± ANGLES ±°	NAME 24 POSITIONS REC. HOUSING ASS'Y FOR AIRBAG SIZE A3 CAGE CODE 00779 DRAWING NO C=284224 RESTRICTED TO -	
MATERIAL SEE TABLE (VEDI TABELLA) FINISH SEE TABLE (VEDI TABELLA)		CUSTOMER DRAWING SCALE 2:1 SHEET 4 OF 4 REV A1	