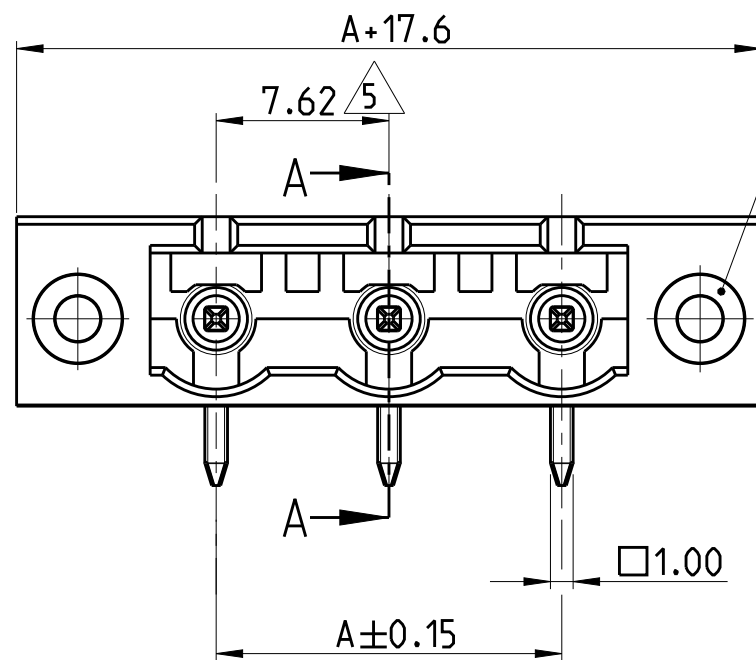


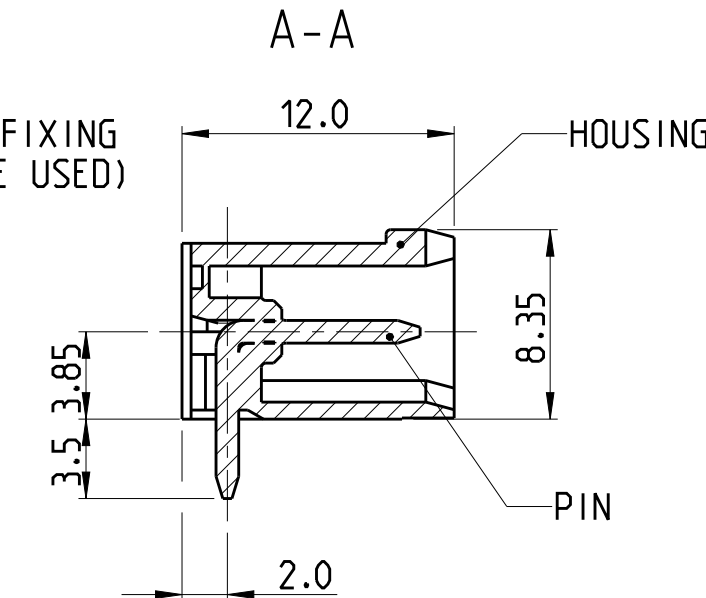
THIS DRAWING IS UNPUBLISHED. RELEASED FOR PUBLICATION 20  
 © COPYRIGHT 20 BY - ALL RIGHTS RESERVED.

REVISIONS

| P | LTR | DESCRIPTION                          | DATE      | DWN | APVD |
|---|-----|--------------------------------------|-----------|-----|------|
|   | A1  | BUSH PART MATERIAL INFORMATION ADDED | 10MAY2018 | RK  | PS   |



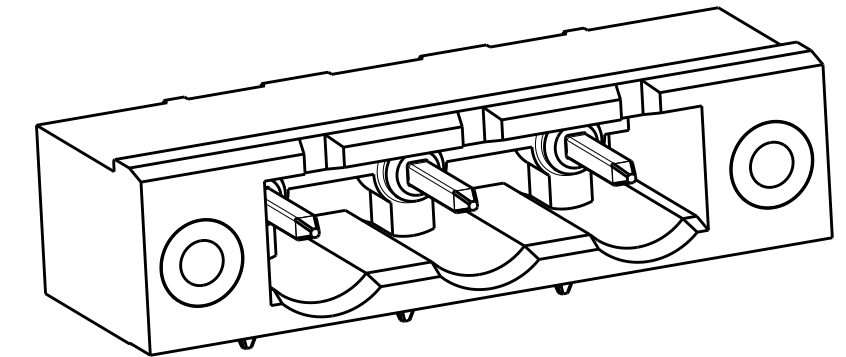
BUSH (M2.5 FIXING SCREW TO BE USED) 2PLC



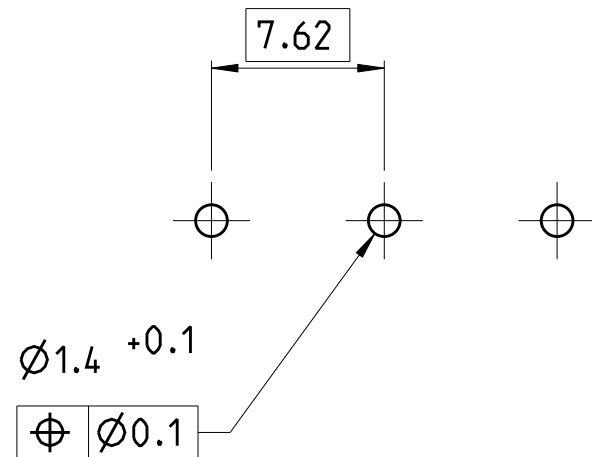
NOTES:

- MATERIALS & FINISH**  
 HOUSING : PA6.6 , UL94 V0, COLOR -GREEN  
 PIN : COPPER ALLOY, TIN PLATED  
 BUSH : BRASS, NICKEL PLATED.
  - MECHANICAL**  
 MAX. INSERTION FORCE PER POLE : 3.0 N  
 MIN. WITHDRAWAL FORCE PER POLE : 1.5 N  
 MIN. PC BOARD HOLES DIAMETER : 1.4 mm  
 MAX. PC BOARD THICKNESS : 2.4 mm
  - ELECTRICAL**  
 WIRE RANGE : 12-30 AWG  
 MAX. VOLTAGE : 300 V  
 MAX CURRENT : 15 A  
 CONTACT RESISTANCE : <15 m Ohm  
 INSULATION RESISTANCE : >1000 M Ohm (500V DC)
  - OPERATING TEMPERATURE RANGE: -40 °C TO +110 °C**
- △ TOLERANCE NOT CUMULATIVE.

-3 AS SHOWN



RECOMMENDED PCB LAYOUT



|         |           |             |
|---------|-----------|-------------|
| 83.82   | 12        | 1-2842023-2 |
| 76.20   | 11        | 1-2842023-1 |
| 68.58   | 10        | 1-2842023-0 |
| 60.96   | 9         | 2842023-9   |
| 53.34   | 8         | 2842023-8   |
| 45.72   | 7         | 2842023-7   |
| 38.10   | 6         | 2842023-6   |
| 30.48   | 5         | 2842023-5   |
| 22.86   | 4         | 2842023-4   |
| 15.24   | 3         | 2842023-3   |
| 7.62    | 2         | 2842023-2   |
| DIM "A" | NO OF POS | TE P/N      |

|  |  |                                  |   |                    |                         |
|--|--|----------------------------------|---|--------------------|-------------------------|
| THIS DRAWING IS A CONTROLLED DOCUMENT.   |  | DWN<br>R R NAYAK<br>24MAR2015    | TE Connectivity   |                    |                         |
| DIMENSIONS:<br>mm  |  | CHK<br>PRASHANTH S<br>25MAR2015  |   |                    |                         |
| TOLERANCES UNLESS OTHERWISE SPECIFIED:   |  | APVD<br>PRASHANTH S<br>25MAR2015 | NAME<br>TERMINAL BLOCK HEADER,<br>90 DEG, WITH LOCKING SCREW FLANGES<br>MALE, PITCH 7.62 mm |                    |                         |
| 0 PLC ±0.2<br>1 PLC ±0.15<br>2 PLC ±0.15<br>3 PLC ±0.15<br>4 PLC ±0.15<br>ANGLES ±0.5° |  | PRODUCT SPEC                     | RESTRICTED TO   |                    |                         |
| MATERIAL<br>SEE NOTE   |  | APPLICATION SPEC                 | SIZE<br>A3  | CAGE CODE<br>00779 | DRAWING NO<br>C-2842023 |
| FINISH   |  | WEIGHT                           | SCALE<br>3:1  |                    | SHEET<br>1 OF 1         |
|  |  | CUSTOMER DRAWING                 | REV<br>A1   |                    |                         |