

THIS DRAWING IS UNPUBLISHED.

RELEASED FOR PUBLICATION

ALL RIGHTS RESERVED.

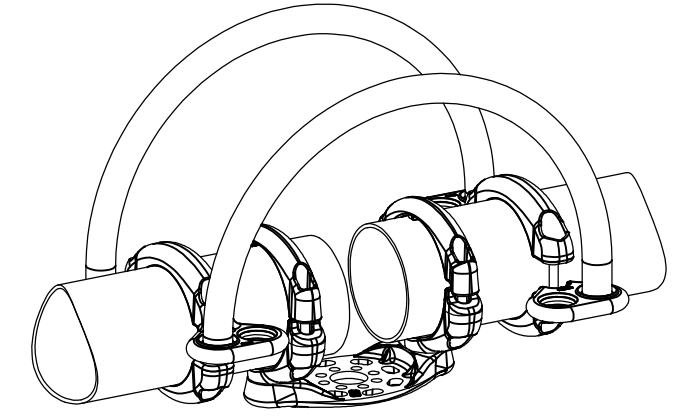
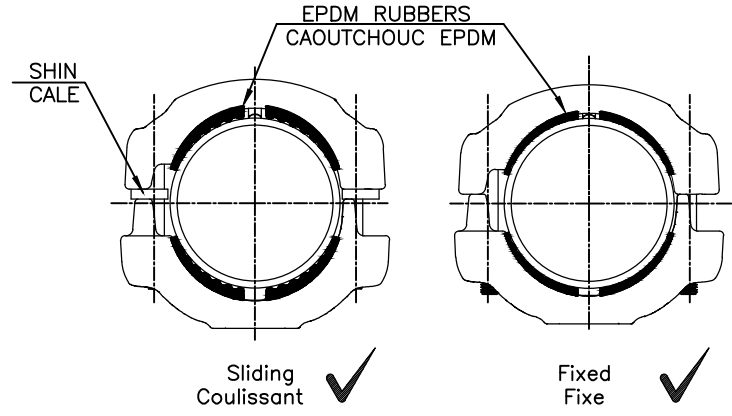
© COPYRIGHT - By -

REVISIONS

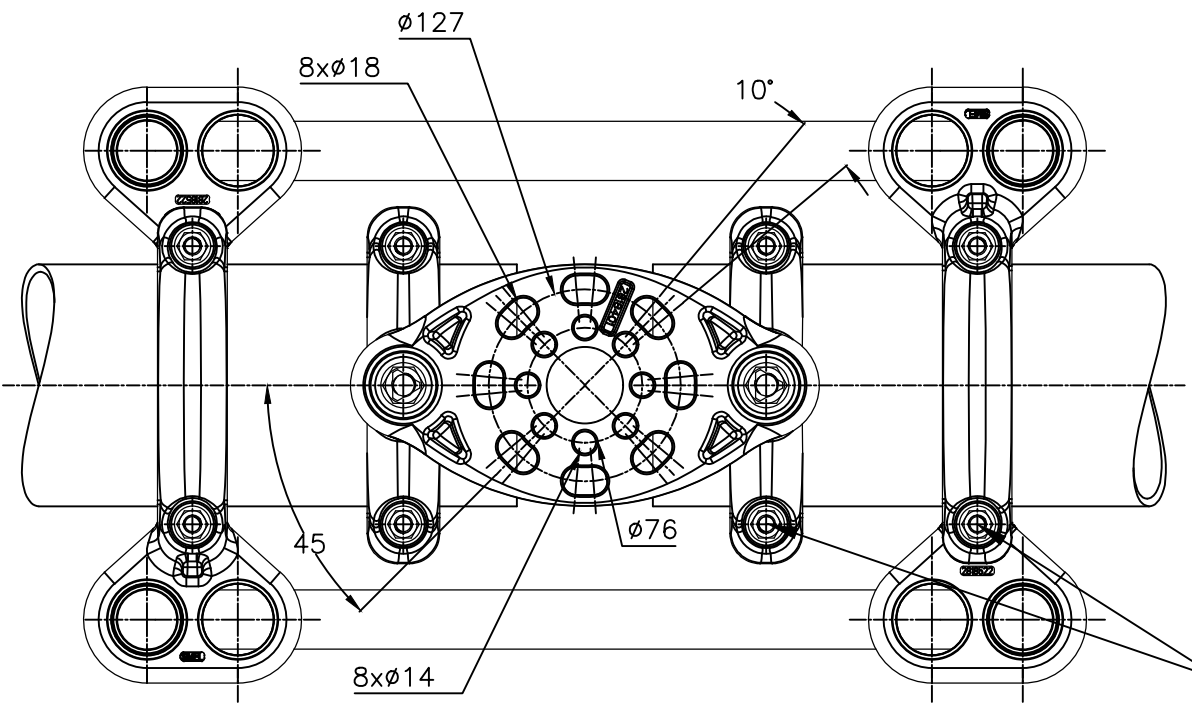
P	LTR	DESCRIPTION	DATE	DWN	APVD
C		UPDATED DRAWING	22-FEB-19	GL	-

E-F

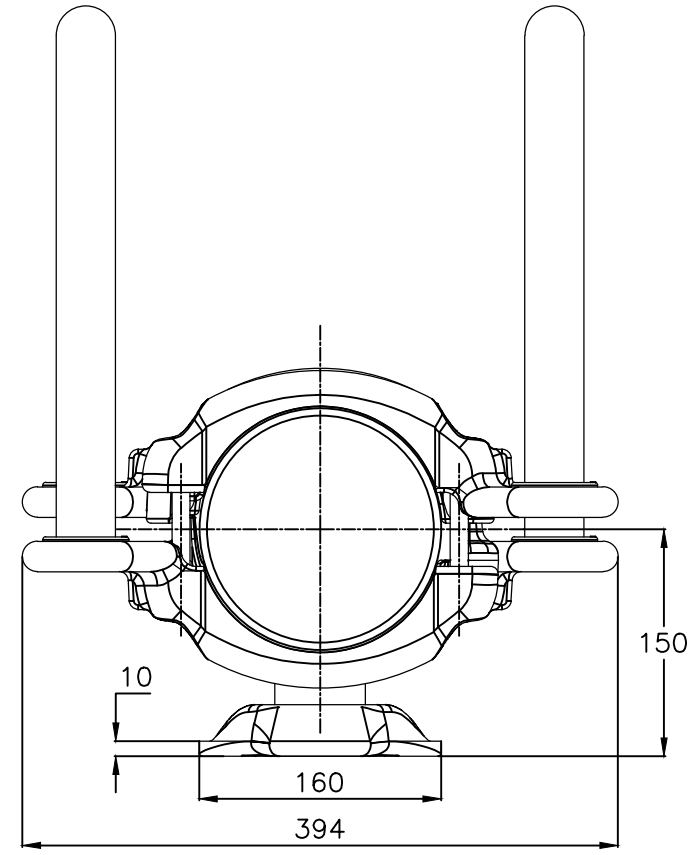
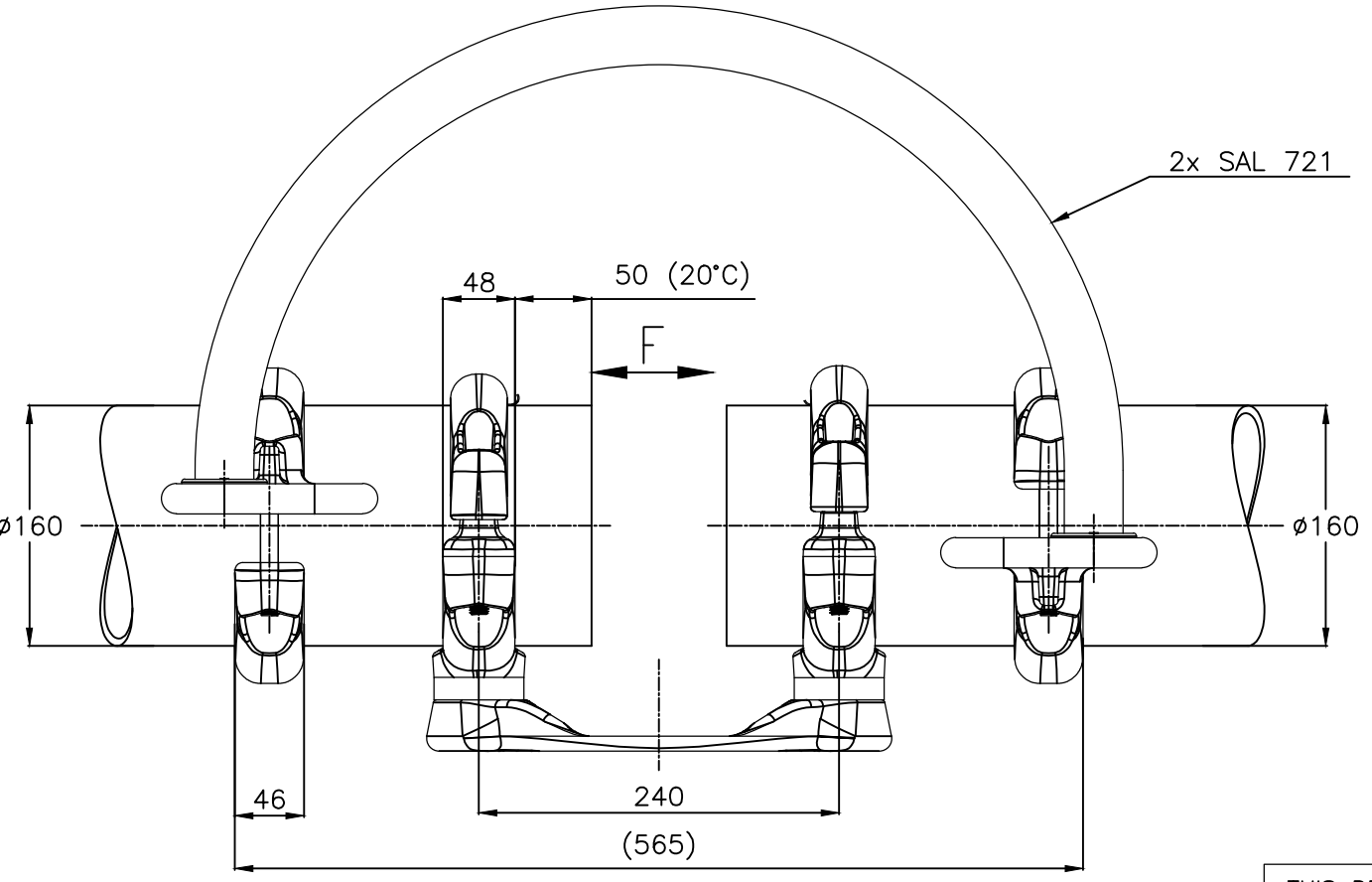
(No scale)
(Sans échelle)



No scale
Sans échelle



M12 Bolts stainless steel A2: 60Nm
Boulons M12 acier inoxydable A2: 60Nm



THIS DRAWING IS A CONTROLLED DOCUMENT.		DWN CHARTON	24-OCT-14	STE TE Connectivity	
DIMENSIONS: mm		CHK	-		
TOLERANCES UNLESS OTHERWISE SPECIFIED:		APVD	-	NAME FLEXIBLE JUNCTION BUSBAR SUPPORT ON BPI SUPPORT JONCTION FLEXIBLE POUR TUBE SUR ISO	
	0 PLC ± -	PRODUCT SPEC		108-69090-001	
	1 PLC ± -	APPLICATION SPEC		5 TJRL 82 P3-P5 T160 27 H150	
MATERIAL	2 PLC ± -	APPROX.WEIGHT		SIZE	CAGE CODE
	3 PLC ± -	11.8 kg		A3	00779
FINISH	4 PLC ± -	CUSTOMER DRAWING		DRAWING NO	RESTRICTED TO
	ANGLES ± -	SCALE		1:5	1 OF 1
		REV		C	

ITEM:.....