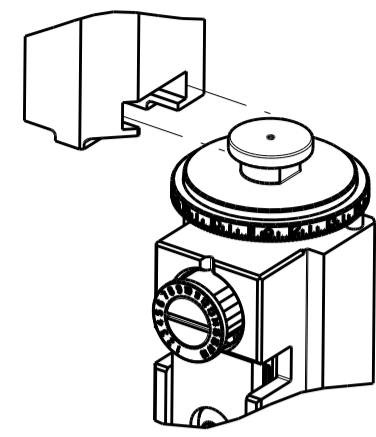


PART NUMBER	REVISION	DESCRIPTION	FEED TYPE
2836033-1	C	FINE CRIMP HEIGHT ADJUST	MECHANICAL
2836033-2	C	FINE CRIMP HEIGHT ADJUST	PNEUMATIC
7-2836033-1	C	MECHANICAL AND CRIMP TOOLING KIT	MECHANICAL
7-2836033-2	C	PNEUMATIC AND CRIMP TOOLING KIT	PNEUMATIC
7-2836033-7	A	CRIMP TOOLING KIT	-

ATLANTIC VERSION TERMINATOR INTERFACE ADAPTER

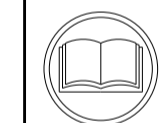


APPLICATOR DATA		
CRIMP	SIZE	TYPE
WIRE	1.68 mm [.066]	F
INSUL	2.35 mm [.093]	OV

APPLICATOR INSTRUCTIONS 408-35042

TERMINAL DATA: KET TERMINAL		KET CRIMP SPECIFICATION	
TERMINAL NAME: TERMINAL, N060 CONNECTOR			
WIRE STRIP LENGTH		TERMINAL INSULATION DIAMETER RANGE	
3.00-3.50 mm [.118-.138 IN]		Ø1.40-1.70 mm [.055-.067 IN]	
TERMINAL APPLICATION SPECIFICATION		060 MALE TERMINAL(S,M) Rev-2010.10.25	
TERMINALS APPLIED			
TE TERMINAL	KET TERMINAL	TE TERMINAL	KET TERMINAL
2113895-1	ST741332-3		

WIRE SIZE	CRIMP HEIGHT mm [INCH]	CRIMP HEIGHT REFERENCE SETTING
AVSS 0.5mm ²	1.10+/-0.05 [.043+/- .002]	10.3
AVSS 0.3mm ²	1.05+/-0.05 [.041+/- .002]	10.8



***WARNING**
ON INSTALLATION, SET WIRE DISC TO CRIMP HEIGHT REFERENCE SETTING FOR LARGEST WIRE SIZE. CRIMP HEIGHT REFERENCE SETTINGS GREATER THAN THE VALUE SHOWN MAY CAUSE DAMAGE TO THE CRIMP TOOLING, REFER TO THE INSTRUCTION SHEET FOR PROPER SETUP AND ADJUSTMENTS.

- RECOMMENDED SPARE PARTS
- REFER TO SUPPLIED INSTRUCTION SHEET FOR CLEANING, LUBRICATION AND STORAGE OF APPLICATOR.
- APPLY PART NUMBER 2-23419-6 LOCTITE TO THREADS OF ITEM 242.
- CRIMP HEIGHT REFERENCE SETTING WAS THE SETTING USED WHEN THE APPLICATOR WAS QUALIFIED AT THE FACTORY. ADJUSTMENT MAY BE NECESSARY WHEN RUNNING APPLICATOR IN THE FIELD.
- UNLESS SPECIFIED OTHERWISE TORQUE VALUES SHALL BE USED PER DOCUMENT, 101-35000

LOC	DIST	REVISIONS			
A	66	REV	DATE	BY	CHK
		A	RELEASED	25NOV2015	BW
		B	ECR-19-001045	22JAN2019	FJ
		C	ECR-19-002831	21FEB2019	FJ

-	1	-	1	-	2119640-1	PUSH ROD, AIR FEED	250
-	1	-	1	-	1803259-1	BUSHING, FLANGED	249
-	1	-	1	-	2119641-1	FEED CAM, AIR FEED	248
-	1	1	1	1	2119082-5	CAM, SNAIL, INSULATION ADJUSTMENT	244
-	1	1	1	1	2079764-1	WASHER, WAVE SPRING, CREST-TO-CREST	243
-	1	1	1	1	2119083-1	RETAINER, INSULATION DIAL	242
-	1	1	1	1	7-18023-7	SCR, SKT HD CAP M3 X 4.0	241
-	-	1	-	1	2119580-1	MECHANICAL FEED ASSEMBLY	239
-	1	-	1	-	2063440-1	AIR FEED MODULE	238
-	2	-	2	-	21045-3	RING, RETAIN, EXTERN, 3/16 CRESCENT	172
-	REF	REF	REF	REF	994970-2	COUNTER, MAGNETIC	164
-	1	-	1	-	240638-1	SPRING, FEED FINGER	163
-	1	-	1	-	3-23627-7	PIN, RETAIN, GRVD, 3/16 X .854	137
-	1	-	1	-	2119799-1	HOLDER, FEED FINGER, AF	136
-	1	1	1	1	2844908-1	SCREW, LOCKING	99
-	1	1	1	1	2844907-1	POST, LOCKING	98
-	1	1	1	1	455888-5	SPACER, CRIMPER	82
-	1	1	1	1	1803607-1	DOCUMENTATION PACKAGE	71
-	1	1	1	1	2119740-1	TAG, IDENTIFICATION	67
-	2	2	2	2	2168078-1	SCREW, DRIVE, RH, RoHS, 2 x .188	66
-	1	1	1	1	2168083-2	SCR, SKT HD CAP, RoHS, M4 X 8.0	60
-	1	1	1	1	5-18022-5	SCR, HEX HD CAP, M4 X 6.0	59
-	1	1	1	1	1338683-8	FEED PAWL	56
-	4	4	4	4	2168083-3	SCR, SKT HD CAP, RoHS, M4 X 12.0	54
-	2	2	2	2	2168083-8	SCR, SKT HD CAP, RoHS, M4 X 16	53
-	1	1	1	1	5018030-1	NUT, HEX, REG, RoHS, M3	52
-	1	1	1	1	811242-5	BUMPER, HOLD DOWN	51
-	1	1	1	1	690753-2	SPACER, TONKER	50
-	1	2	1	2	18023-9	SCR, SKT HD CAP M4 X 6.0	49
-	-	1	-	1	2119652-1	FEED CAM, PRE FEED	48
-	-	1	-	1	2119653-1	FEED CAM, POST FEED	47
-	1	1	1	1	1803583-9	APPLICATOR BASIC ASSEMBLY, SF	46
-	1	1	1	1	1803515-1	RAM ASSEMBLY, SF ATLANTIC	44
-	1	1	1	1	1803602-1	SCR, BHSC, RoHS (M8 X 25)	41
-	1	1	1	1	1752356-9	SUPPORT, TERMINAL	34
-	2	2	2	2	2079383-5	SCR, BHSC, RoHS (M4 X 20)	33
-	2	2	2	2	2-2844962-8	SPACER, CYLINDRICAL, STRIP GUIDE	30
-	1	1	1	1	2844992-1	ASSEMBLY, STRIP GUIDE	29
-	1	1	1	1	455888-3	SPACER, CRIMPER	28
-	1	1	1	1	1320928-2	STRIP GUIDE	24
-	1	1	1	1	2168083-2	SCR, SKT HD CAP, RoHS, M4 X 8.0	21
-	2	2	2	2	1-18028-2	WASHER, FLAT, REG M4	20
-	1	1	1	1	2119533-1	STRIPPER, SIDE FEED	19
-	1	1	1	1	2119806-1	INSERT, SHEAR	13
-	1	1	1	1	3-22280-3	SPRING, COMPRESSION	12
-	1	1	1	1	1-356885-4	STOP, SHEAR	11
-	1	1	1	1	2119805-1	SHEAR HOLDER, FRONT	10
-	1	1	1	1	1803095-1	FLOATING SHEAR, FRONT	9
1	2	2	1	1	6-1803171-7	ANVIL, COMBINATION	8
-	1	1	1	1	2-240641-9	SPACER	7
-	-	-	-	-	-	-	6
-	1	1	1	1	2119757-8	DEPRESSOR, SHEAR	5
-	1	1	1	1	1-238011-7	BLOCK, CRIMPER SPACER	4
1	2	2	1	1	1803101-7	CRIMPER, INSULATION OVERLAP PREMIUM	3
-	1	1	1	1	455888-6	SPACER, CRIMPER	2
1	2	2	1	1	4-1803188-9	CRIMPER, WIRE	1
-	77	-72	-71	-2	-1	PART NO	ITEM NO

ATLANTIC VERSION
Shown on sheets 1 of 4 & 2 of 4
(Pacific version shown on sheets 3 of 4 & 4 of 4)

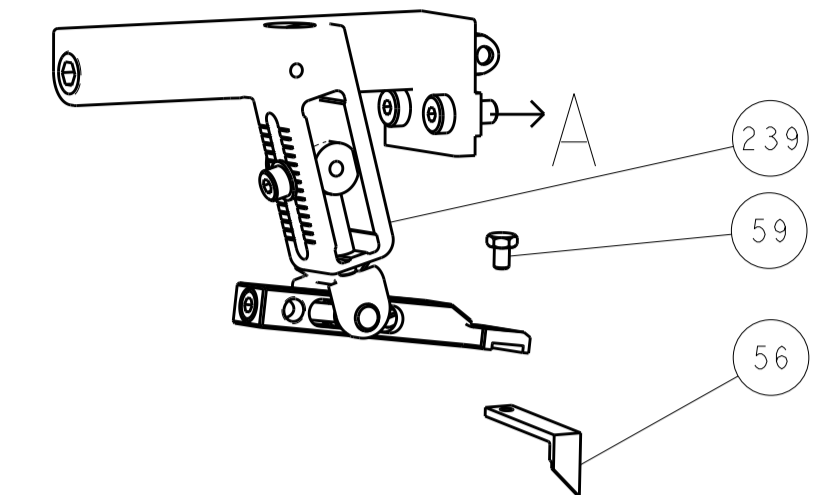
DIMENSIONS:		TOLERANCES UNLESS OTHERWISE SPECIFIED:		MATERIAL:		FINISH:	
mm	0 PLC ±	1 PLC ±	2 PLC ±	3 PLC ±	4 PLC ±	ANGLES ±	FINISH ±

DATE	08OCT2015	BY	B. WEAVER	CHK	C. TOPPER	APVD	C. TOPPER
NAME	Ocean Side Feed Applicator						
SIZE	A1	CAGE CODE	00779	DRAWING NO	C=2836033		RESTRICTED TO
SCALE	1:2	SHEET	1	OF	4	REV	C

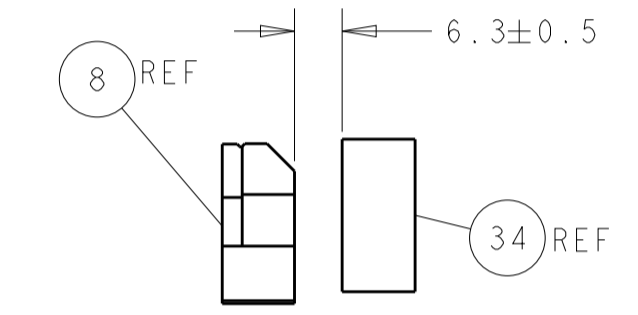
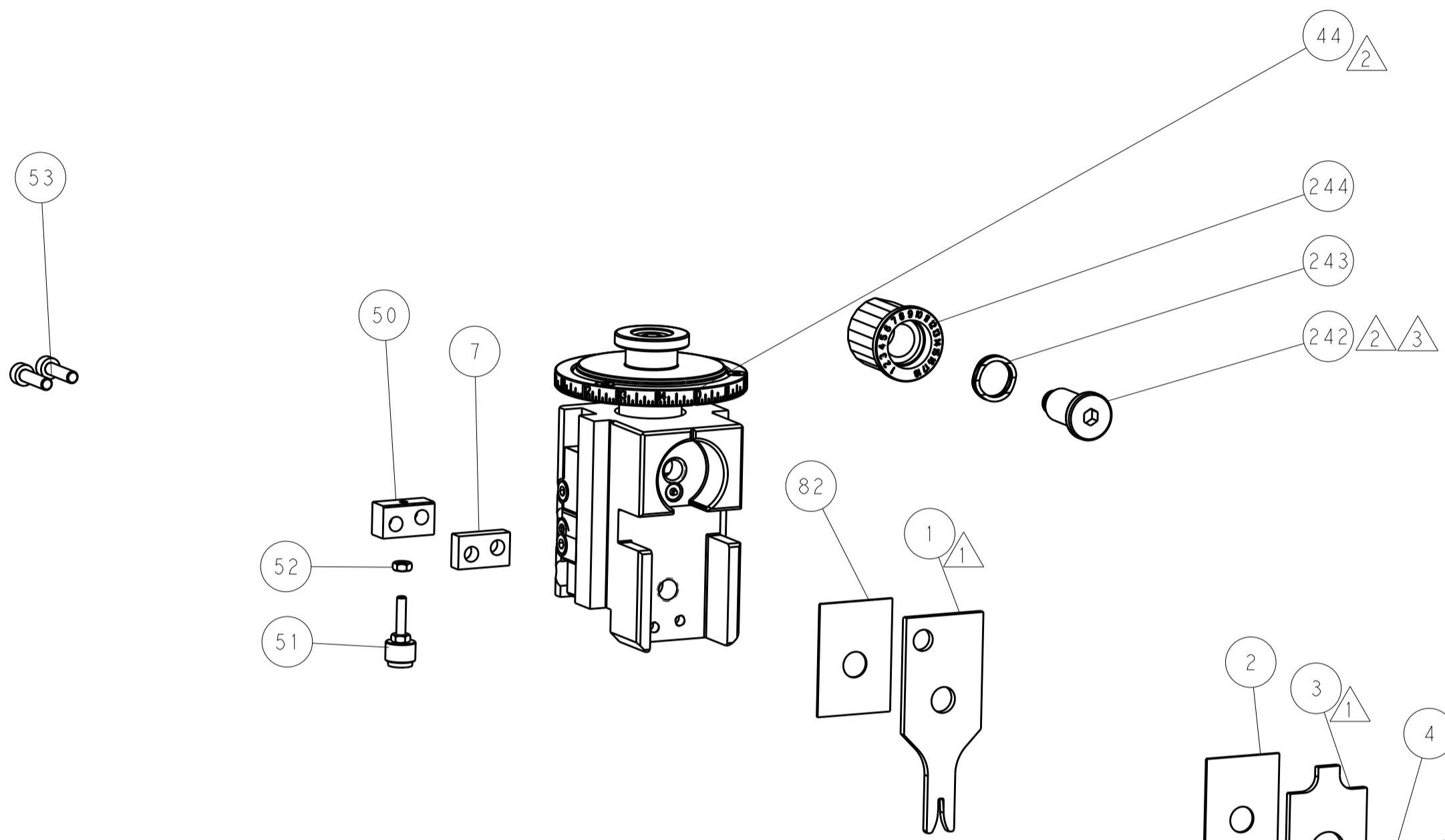
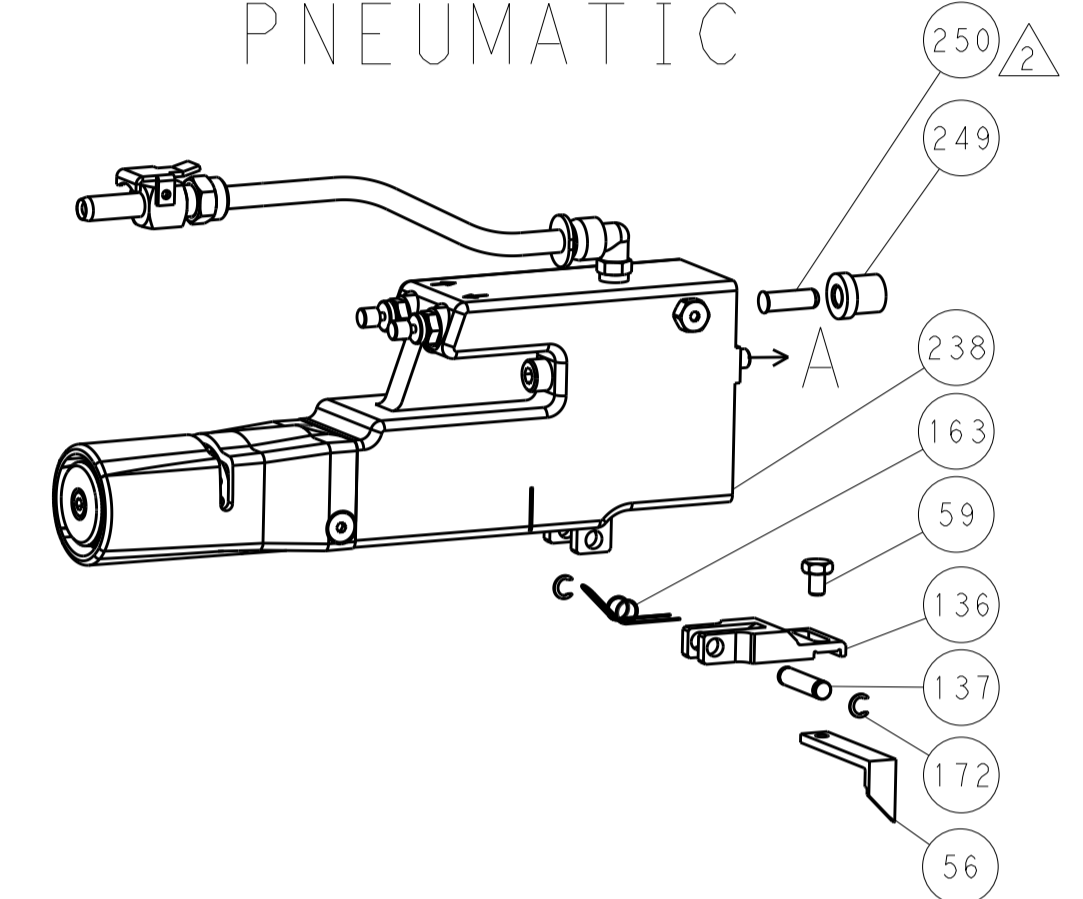
Customer Accessible Production Drawing

LOC	DIST	REV	DATE	BY	APP'D
A	66				

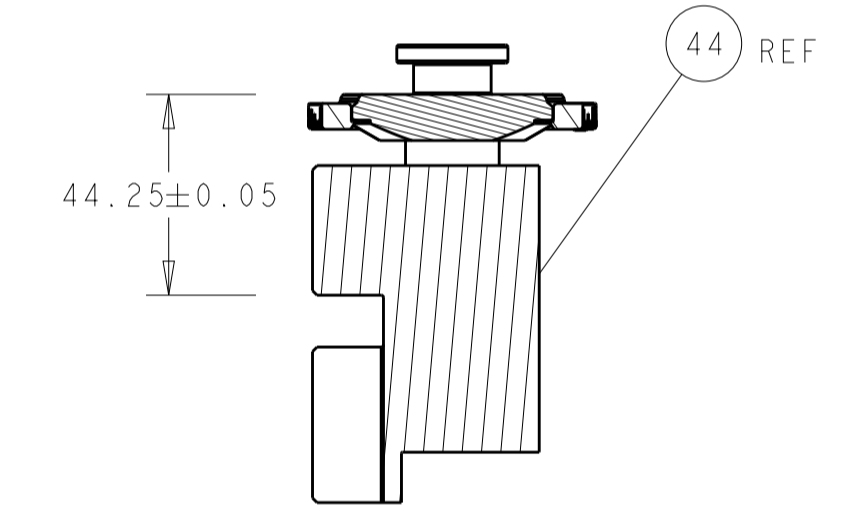
FEED TYPE MECHANICAL



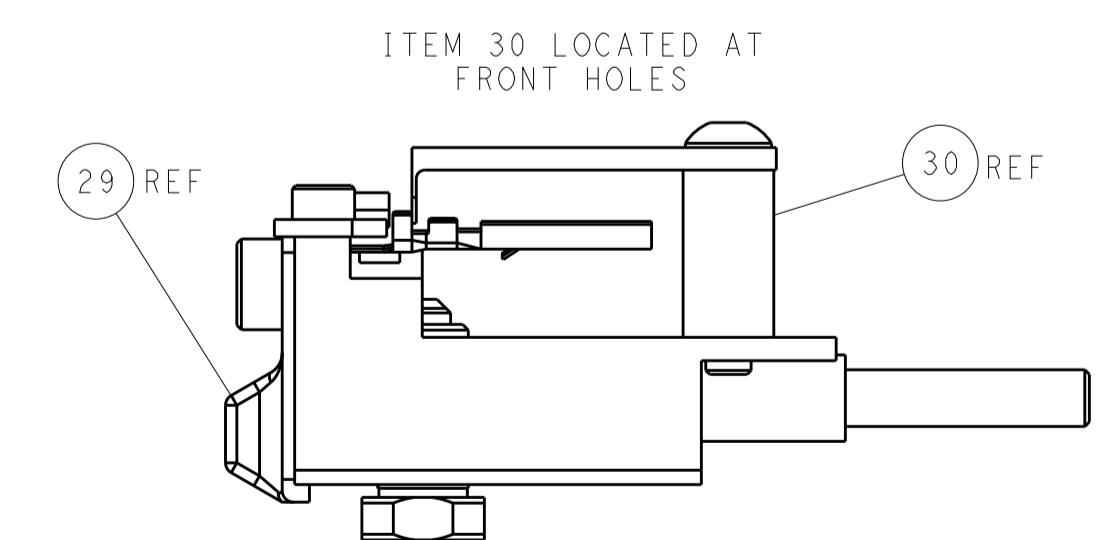
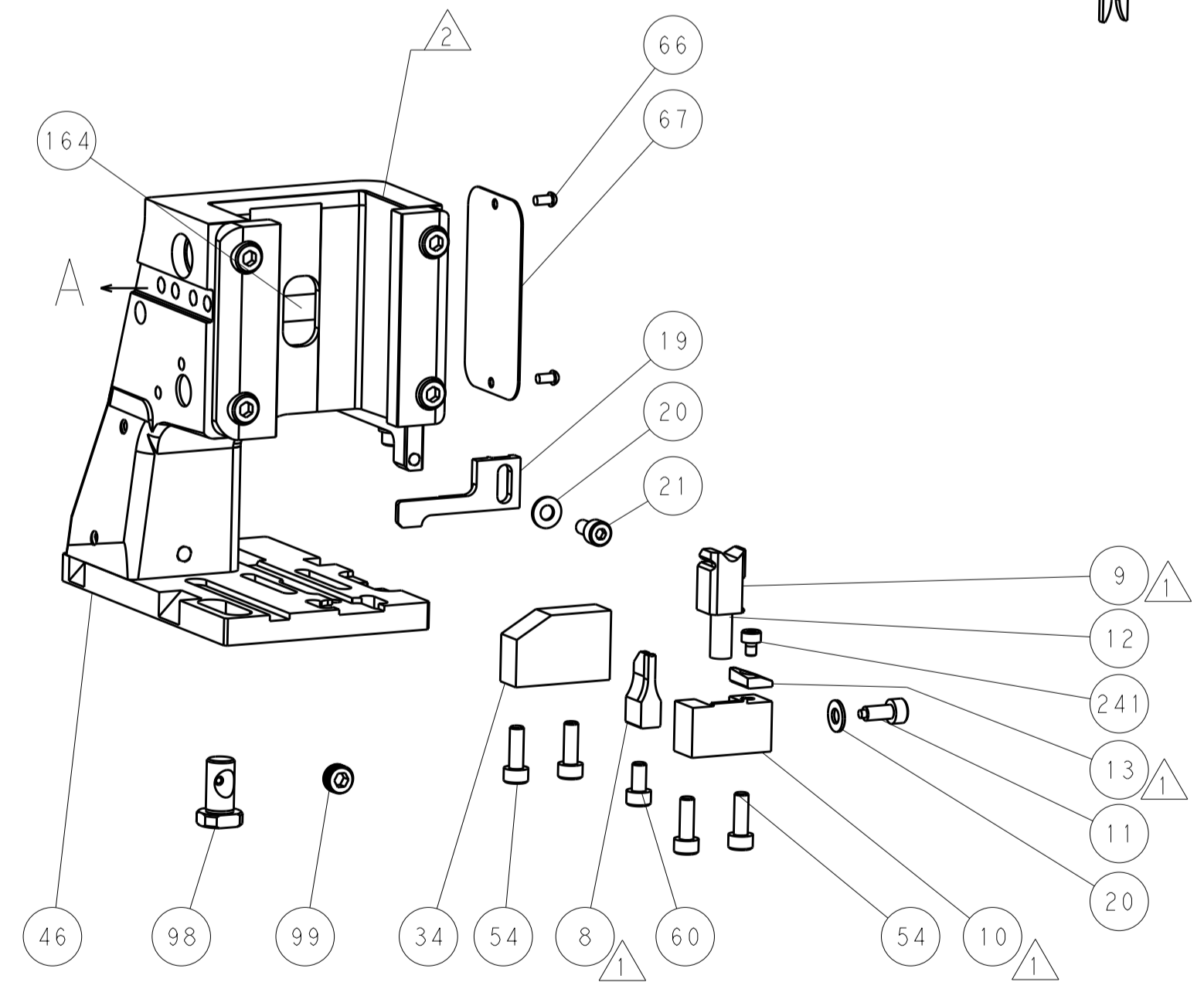
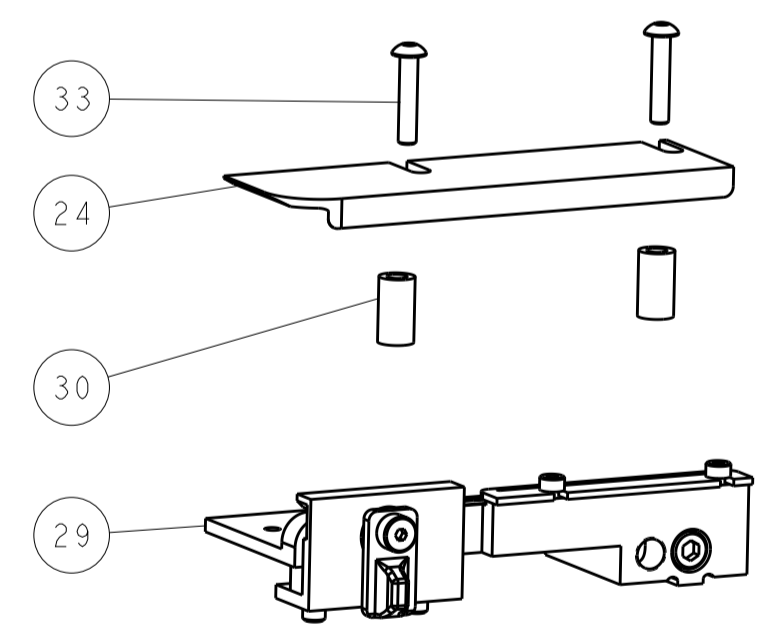
PNEUMATIC



TERMINAL SUPPORT LOCATION

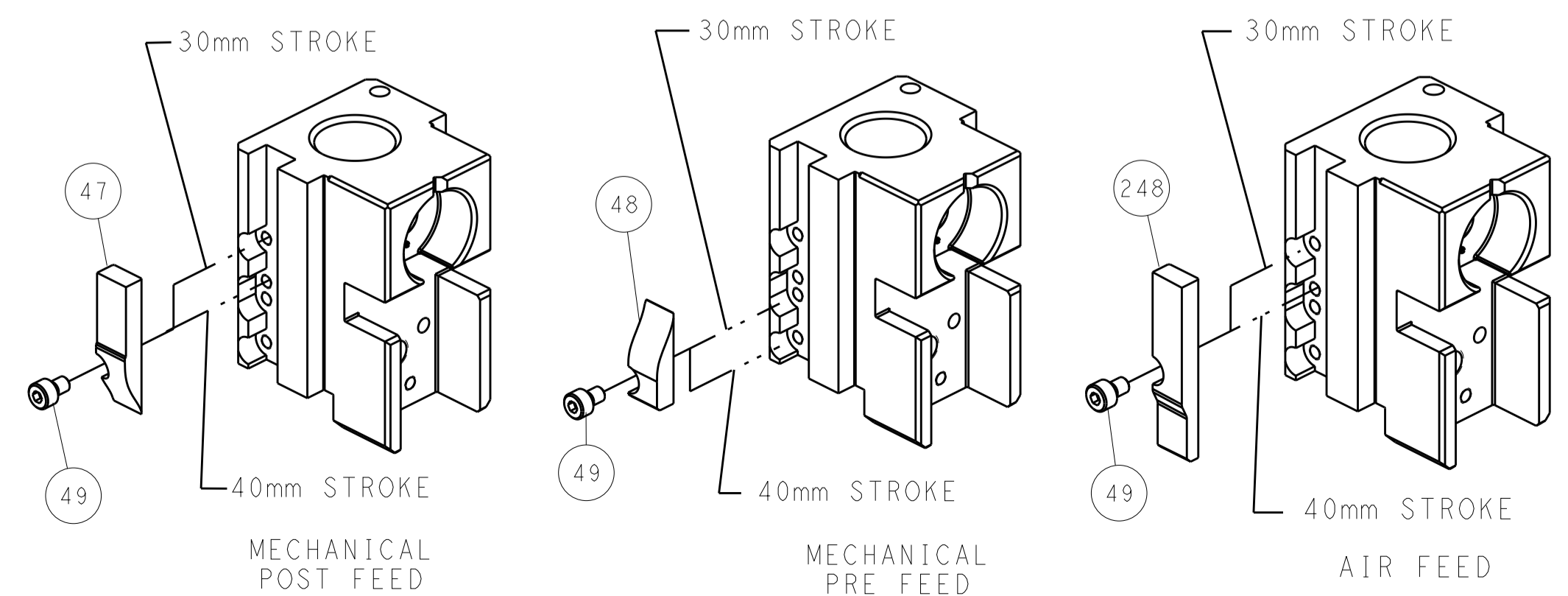


RAM SET-UP



FEED TRACK POSITION GUIDE BY INSULATION BARREL

CAM POSITIONS



ATLANTIC VERSION
 Shown on sheets 1 of 4 & 2 of 4
 (Pacific version shown on sheets 3 of 4 & 4 of 4)

DIMENSIONS: mm 		TOLERANCES UNLESS OTHERWISE SPECIFIED: 0 PLC ± 1 PLC ± 2 PLC ± 3 PLC ± 4 PLC ± ANGLES ±		DWN B. WEAVER 08OCT2015 CHK C. TOPPER 08OCT2015 APVD C. TOPPER 08OCT2015 PRODUCT SPEC APPLICATION SPEC WEIGHT Customer Accessible Production Drawing		NAME Ocean Side Feed Applicator SIZE CAGE CODE DRAWING NO A1 00779 C=2836033 SCALE 1:2 SHEET 2 OF 4 REV C		TE Connectivity Harrisburg, PA 17105-3608 RESTRICTED TO	
-----------------------	--	---	--	--	--	---	--	---	--

PART NUMBER	REVISION	DESCRIPTION	FEED TYPE
2-2836033-1	C	FINE CRIMP HEIGHT ADJUST	MECHANICAL
2-2836033-2	C	FINE CRIMP HEIGHT ADJUST	PNEUMATIC
7-2836033-7	A	CRIMP TOOLING KIT	-

PACIFIC VERSION TERMINATOR
INTERFACE ADAPTER



APPLICATOR DATA		
CRIMP	SIZE	TYPE
WIRE	1.68 mm [.066]	F
INSUL	2.35 mm [.093]	OV

APPLICATOR INSTRUCTIONS
408-35042

TERMINAL DATA: KET TERMINAL		KET CRIMP SPECIFICATION	
TERMINAL NAME: TERMINAL, N060 CONNECTOR			
WIRE STRIP LENGTH		TERMINAL INSULATION DIAMETER RANGE	
3.00-3.50 mm [1.18-.138 IN]		1.40-1.70 mm [.055-.067 IN]	
TERMINAL APPLICATION SPECIFICATION: 060 MALE TERMINAL(S,M) Rev-2010.10.25			
TERMINALS APPLIED			
TE TERMINAL	KET TERMINAL	TE TERMINAL	KET TERMINAL
2113895-1	ST741332-3		

WIRE SIZE	CRIMP HEIGHT mm [INCH]	CRIMP HEIGHT REFERENCE SETTING
AVSS 0.5mm ²	1.10 +/- 0.05 [1.043 +/- .002]	10.3
AVSS 0.3mm ²	1.05 +/- 0.05 [1.041 +/- .002]	10.8



- 1 RECOMMENDED SPARE PARTS
 - 2 REFER TO SUPPLIED INSTRUCTION SHEET FOR CLEANING, LUBRICATION AND STORAGE OF APPLICATOR.
 - 3 APPLY PART NUMBER 2-23419-6 LOCTITE TO THREADS OF ITEM 242.
 - 4 CRIMP HEIGHT REFERENCE SETTING WAS THE SETTING USED WHEN THE APPLICATOR WAS QUALIFIED AT THE FACTORY. ADJUSTMENT MAY BE NECESSARY WHEN RUNNING APPLICATOR IN THE FIELD.
5. UNLESS SPECIFIED OTHERWISE TORQUE VALUES SHALL BE USED PER DOCUMENT, 101-35000

***WARNING**
ON INSTALLATION, SET WIRE DISC TO CRIMP HEIGHT REFERENCE SETTING FOR LARGEST WIRE SIZE. CRIMP HEIGHT REFERENCE SETTINGS GREATER THAN THE VALUE SHOWN MAY CAUSE DAMAGE TO THE CRIMP TOOLING, REFER TO THE INSTRUCTION SHEET FOR PROPER SETUP AND ADJUSTMENTS.

LOC	DIST	REV	DATE	BY	APPD
A	66				

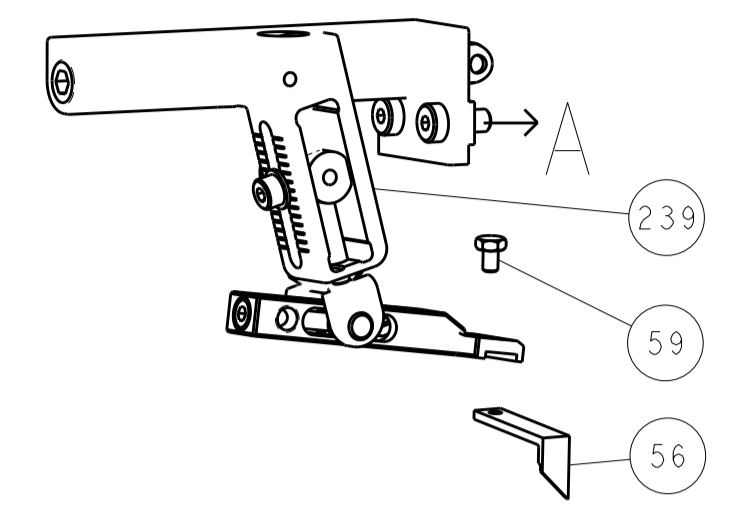
REV	DATE	BY	APPD	DESCRIPTION	ITEM NO	
-	1	-		2119640-1 PUSH ROD, AIR FEED	250	
-	1	-		1803259-1 BUSHING, FLANGED	249	
-	1	1		2119082-5 CAM, SNAIL, INSULATION ADJUSTMENT	244	
-	1	1		2079764-1 WASHER, WAVE SPRING, CREST-TO-CREST	243	
-	1	1		2119083-1 RETAINER, INSULATION DIAL	242	
-	1	1		7-18023-7 SCR, SKT HD CAP M3 X 4.0	241	
-	-	1		2119580-1 MECHANICAL FEED ASSEMBLY	239	
-	1	-		2063440-1 AIR FEED MODULE	238	
-	2	-		21045-3 RING, RETAIN, EXTERN, 3/16 CRESCENT	172	
-	REF	REF		994970-2 COUNTER, MAGNETIC	164	
-	1	-		240638-1 SPRING, FEED FINGER	163	
-	1	-		2119641-2 FEED CAM, AIR FEED	151	
-	1	1		2168083-8 SCR, SKT HD CAP, RoHS, M4 X 16	144	
-	4	4		2168083-9 SCR, SKT HD CAP, RoHS, M4 X 20	143	
-	-	1		2119653-2 FEED CAM, POST FEED	142	
-	1	1		1-1803583-0 APPLICATOR BASIC ASSEMBLY, SF	141	
-	1	1		1803516-1 RAM ASSEMBLY, SF PACIFIC	140	
-	1	-		3-23627-7 PIN, RETAIN, GRVD, 3/16 X .854	137	
-	1	-		2119799-1 HOLDER, FEED FINGER, AF	136	
-	1	1		2844908-1 SCREW, LOCKING	99	
-	1	1		2844907-1 POST, LOCKING	98	
-	1	1		455888-5 SPACER, CRIMPER	82	
-	1	1		1803607-1 DOCUMENTATION PACKAGE	71	
-	1	1		2119740-1 TAG, IDENTIFICATION	67	
-	2	2		2168078-1 SCREW, DRIVE, RH, RoHS, 2 x .188	66	
-	1	1		5-18022-5 SCR, HEX HD CAP, M4 X 6.0	59	
-	1	1		1338683-8 FEED PAWL	56	
-	2	2		2168083-8 SCR, SKT HD CAP, RoHS, M4 X 16	53	
-	1	1		5018030-1 NUT, HEX, REG, RoHS, M3	52	
-	1	1		811242-5 BUMPER, HOLD DOWN	51	
-	1	1		690753-2 SPACER, TONKER	50	
-	1	2		18023-9 SCR, SKT HD CAP M4 X 6.0	49	
-	-	1		2119652-1 FEED CAM, PRE FEED	48	
-	1	1		1803602-1 SCR, BHSC, RoHS (M8 X 25)	41	
-	1	1		1752356-9 SUPPORT, TERMINAL	34	
-	2	2		2079383-5 SCR, BHSC, RoHS (M4 X 20)	33	
-	2	2		2-2844962-8 SPACER, CYLINDRICAL, STRIP GUIDE	30	
-	1	1		2844992-1 ASSEMBLY, STRIP GUIDE	29	
-	1	1		455888-3 SPACER, CRIMPER	28	
-	1	1		1320928-2 STRIP GUIDE	24	
-	1	1		2168083-2 SCR, SKT HD CAP, RoHS, M4 X 8.0	21	
-	2	2		1-18028-2 WASHER, FLAT, REG M4	20	
-	1	1		2119533-1 STRIPPER, SIDE FEED	19	
-	1	1		2119806-1 INSERT, SHEAR	13	
-	1	1		3-22280-3 SPRING, COMPRESSION	12	
-	1	1		1-356885-4 STOP, SHEAR	11	
-	1	1		2119805-1 SHEAR HOLDER, FRONT	10	
-	1	1		1803095-1 FLOATING SHEAR, FRONT	9	
-	1	1		6-1803171-7 ANVIL, COMBINATION	8	
-	1	1		2-240641-9 SPACER	7	
-	-	-		-	6	
-	1	1		2119757-8 DEPRESSOR, SHEAR	5	
-	1	1		1-238011-7 BLOCK, CRIMPER SPACER	4	
-	1	1		1803101-7 CRIMPER, INSULATION OVERLAP PREMIUM	3	
-	1	1		455888-6 SPACER, CRIMPER	2	
-	1	1		4-1803188-9 CRIMPER, WIRE	1	
-	77	-22	-21	PART NO	DESCRIPTION	ITEM NO

PACIFIC VERSION
Shown on sheets 3 of 4 & 4 of 4
(Atlantic version shown on sheets 1 of 4 & 2 of 4)

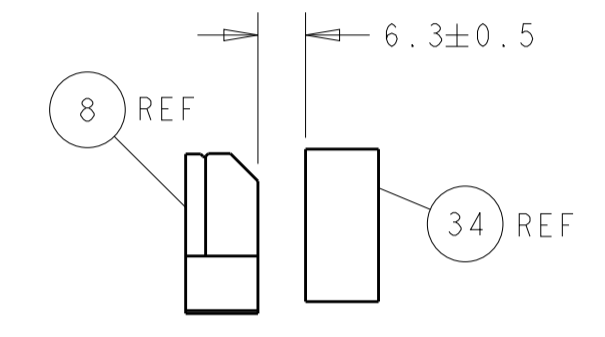
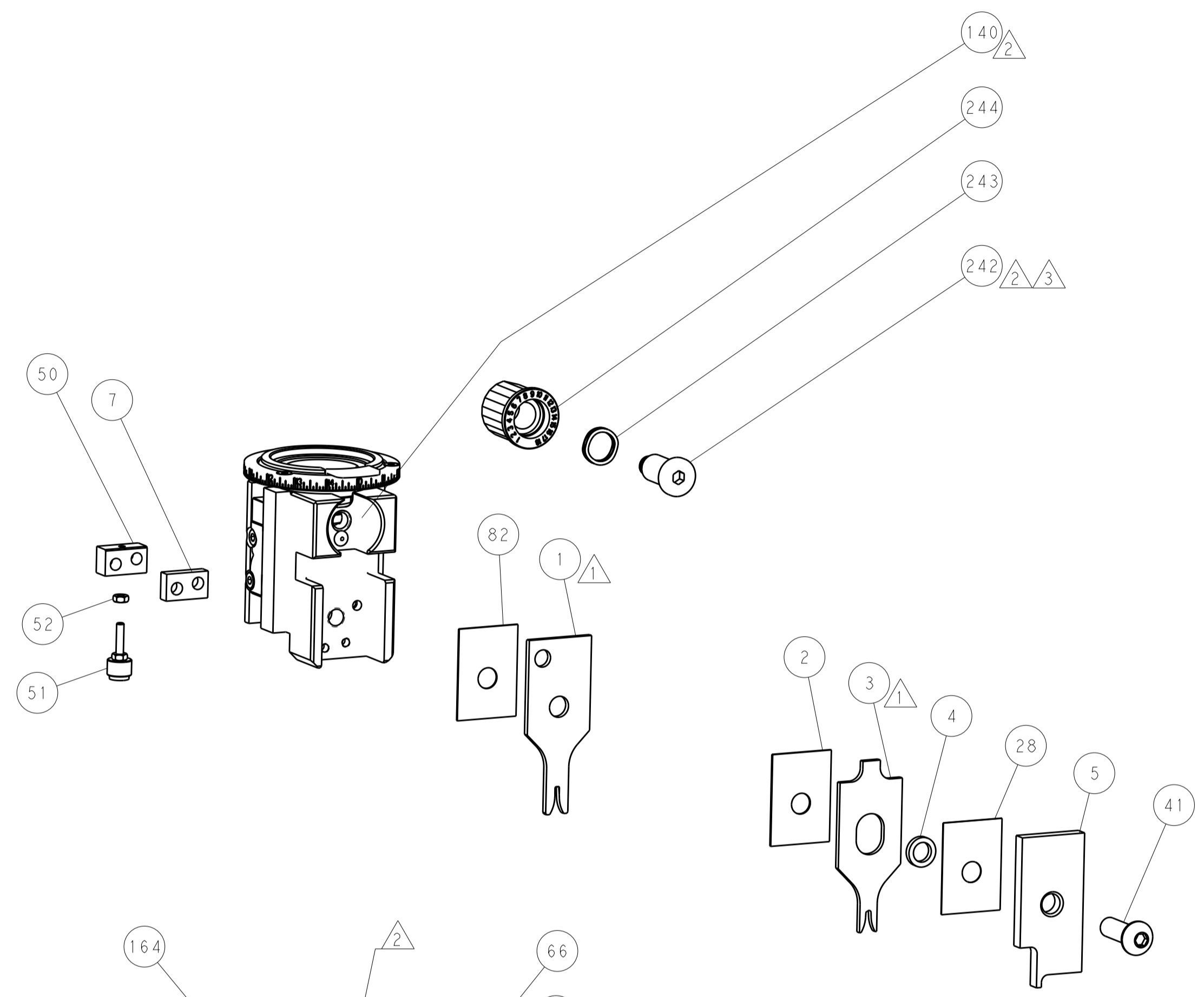
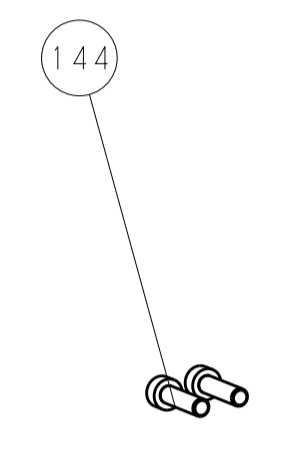
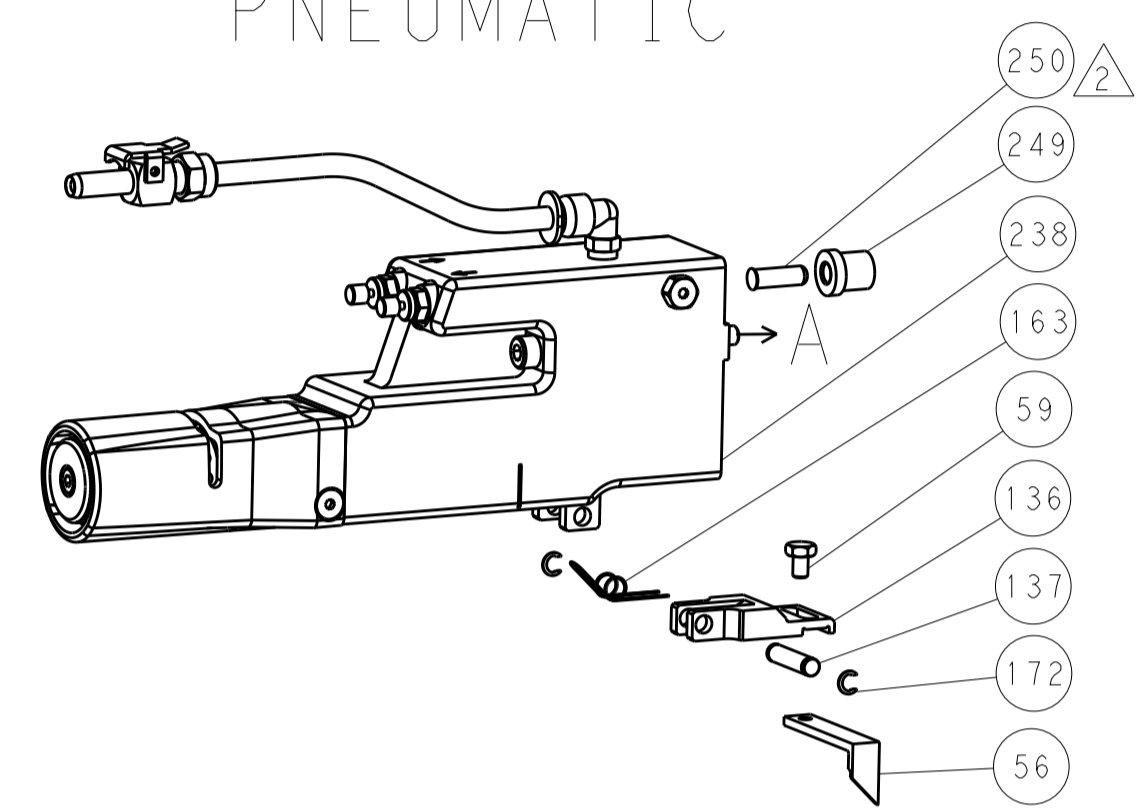
DIMENSIONS:		TOLERANCES UNLESS OTHERWISE SPECIFIED:		DWG: B. WEAVER 08OCT2015		CHK: C. TOPPER 08OCT2015		APVD: C. TOPPER 08OCT2015		NAME: Ocean Side Feed Applicator	
mm	0 PLC ±	1 PLC ±	2 PLC ±	3 PLC ±	4 PLC ±	ANGLES ±	FINISH	SIZE: A1	CAGE CODE: 00779	DRAWING NO: C-2836033	RESTRICTED TO: -
MATERIAL: -								WEIGHT: -		SCALE: 1:2	
Customer Accessible Production Drawing								SHEET 3 OF 4		REV C	

LOC	DIST	REVISIONS					
		P	LTN	DESCRIPTION	DATE	DWN	APVD
A	66	-	-	SEE SHEET 1	-	-	-

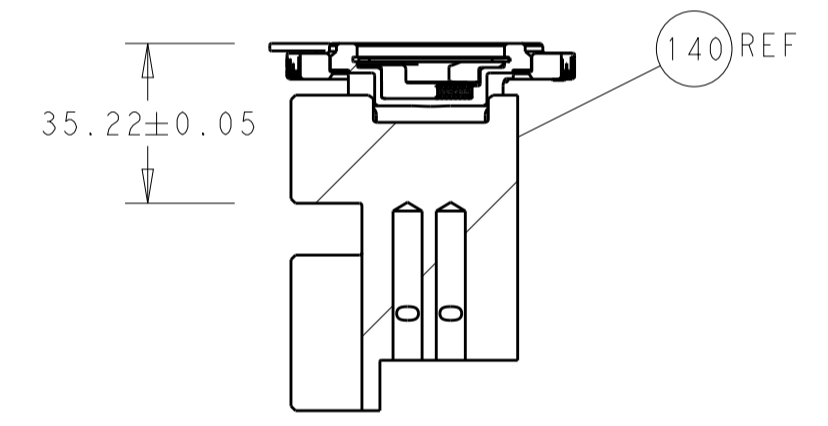
FEED TYPE MECHANICAL



PNEUMATIC

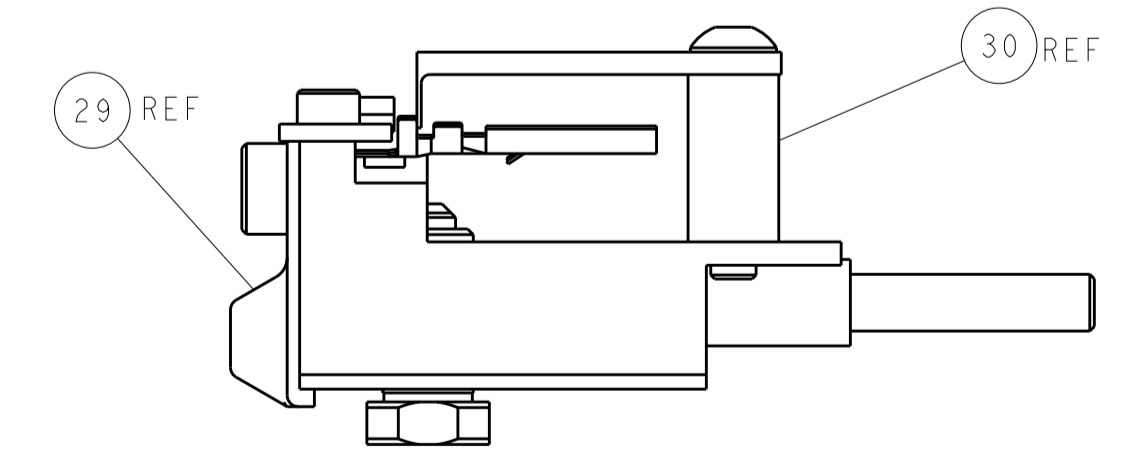


TERMINAL SUPPORT LOCATION



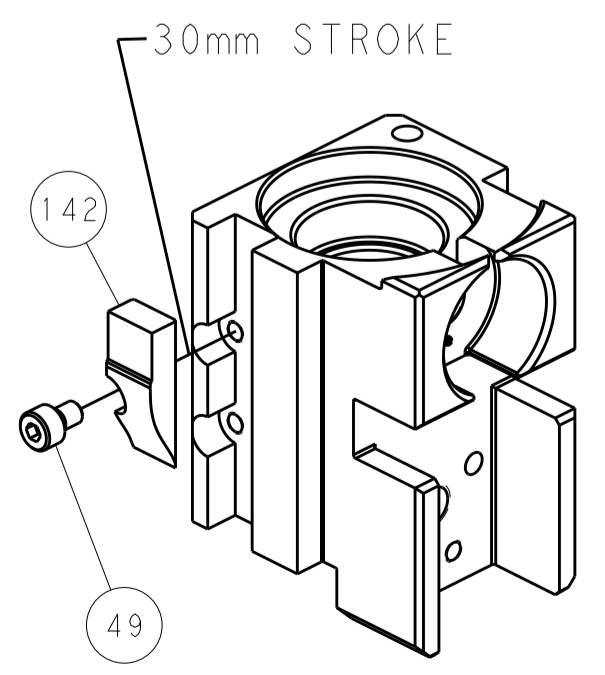
RAM SET-UP

ITEM 30 LOCATED AT FRONT HOLES

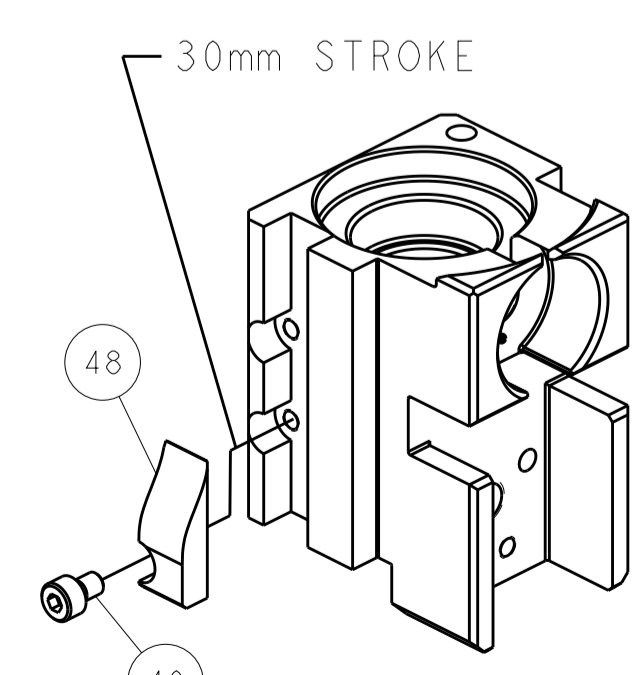


FEED TRACK POSITION GUIDE BY INSULATION BARREL

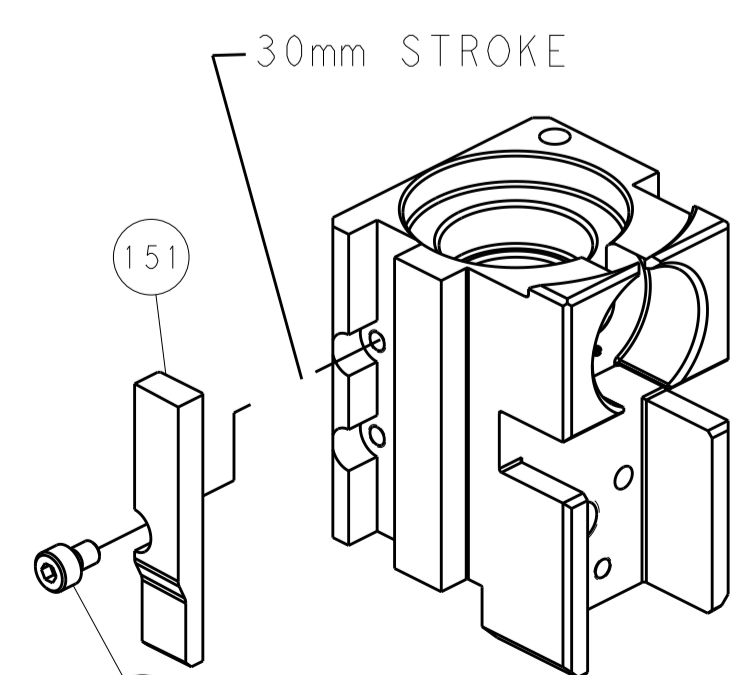
CAM POSITIONS



MECHANICAL POST FEED



MECHANICAL PRE FEED



AIR FEED

PACIFIC VERSION
 Shown on sheets 3 of 4 & 4 of 4
 (Atlantic version shown on sheets 1 of 4 & 2 of 4)

DIMENSIONS:		TOLERANCES UNLESS OTHERWISE SPECIFIED:		DWN: B. WEAVER 08OCT2015		TE Connectivity	
mm	0 PLC ±	1 PLC ±	2 PLC ±	3 PLC ±	4 PLC ±	Harrisburg, PA 17105-3608	
MATERIAL:		FINISH:		CHK: C. TOPPER 08OCT2015		NAME: Ocean Side Feed Applicator	
				APVD: C. TOPPER 08OCT2015		SIZE: CAGE CODE: DRAWING NO: 00779	
				PRODUCT SPEC:		RESTRICTED TO:	
				APPLICATION SPEC:		Customer Accessible Production Drawing	
				WEIGHT:		SCALE: 1:2 SHEET 4 OF 4 REV C	