

THIS DRAWING IS UNPUBLISHED.

RELEASED FOR PUBLICATION

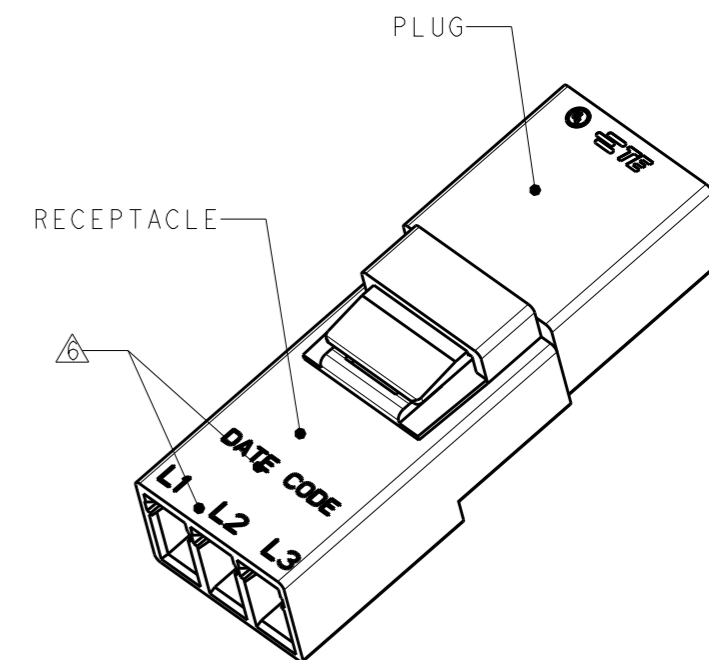
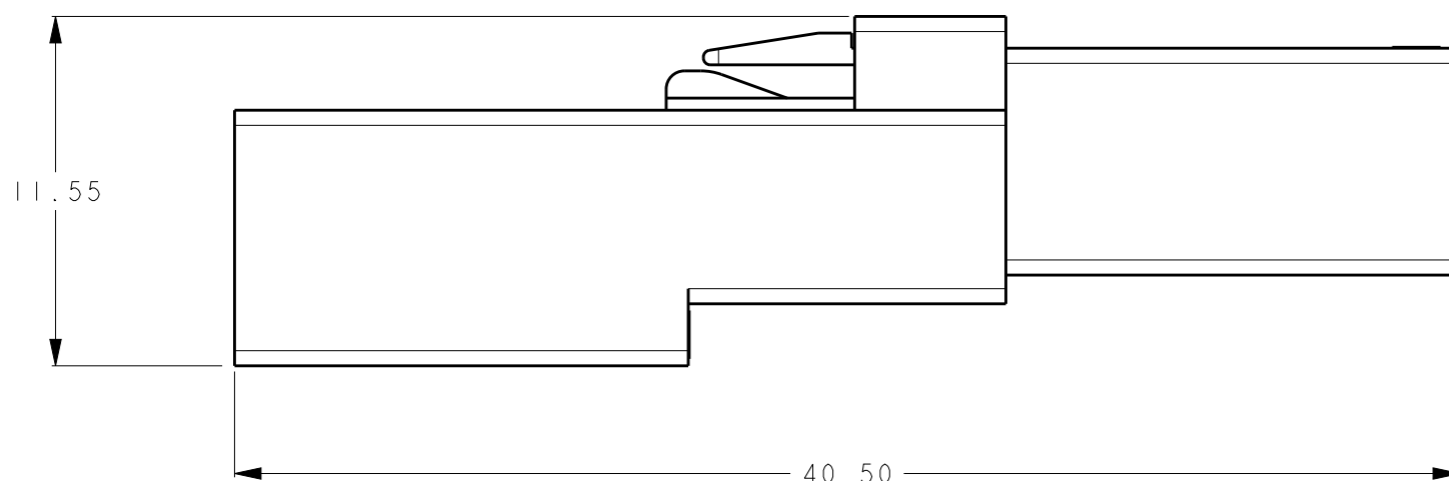
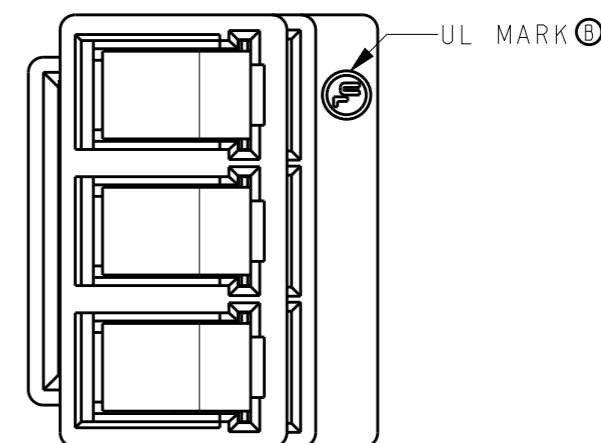
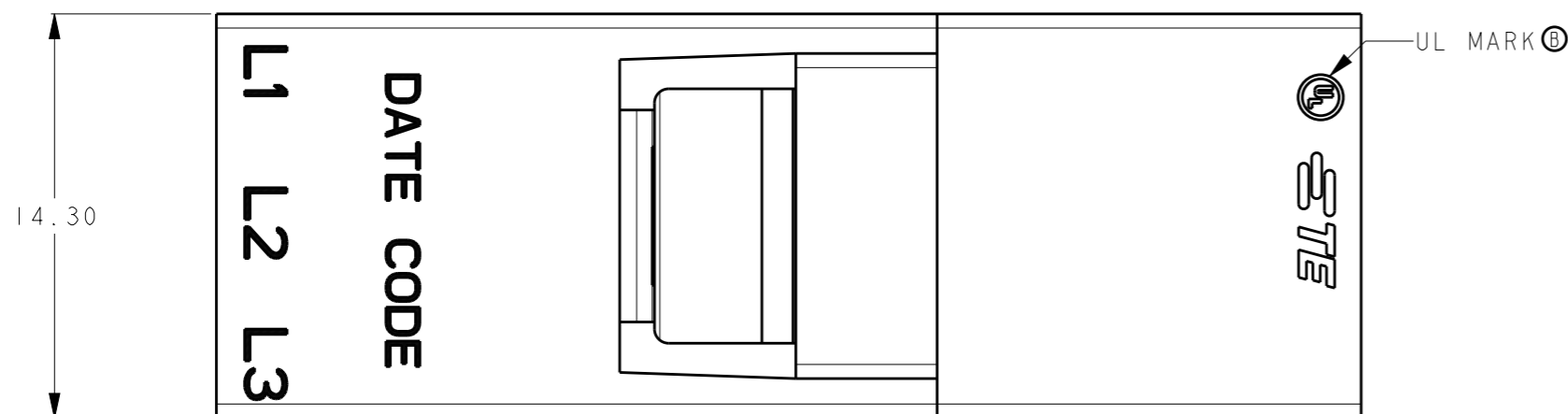
20

© COPYRIGHT20 BY -

ALL RIGHTS RESERVED.

REVISIONS


P	LTR	DESCRIPTION	DATE	DWN	APVD
A		INITIAL RELEASE	11JULY2016	W.Z	X.X
B		ADD UL MARK	16JUL2018	W.Z	S.M



NOTE:

- PART NUMBER: SEE TABLE.
 - MATERIAL:
TERMINAL: COPPER ALLOY
HOUSING: THERMOPLASTIC, UL94-V0.
 - FINISH
TERMINAL: TIN PLATING OVERALL.
 - PACKAGING: PLASTIC BAG.
 - APPLICABLE WIRE:
SOLID: 18-22AWG
STRANDED WIRE: 16-20AWG(26 STRANDS MAX. FOR 16AWG
16 STRANDS MAX. FOR 18AWG, 7 STRANDS MAX. FOR 20AWG)
- △ MARK APPROXIMATION LOCATION.

2834056-4	2834054-4	2834055-4	RED
2834056-3	2834054-3	2834055-3	ORANGE
2834056-2	2834054-2	2834055-2	BLACK
2834056-1	2834054-1	2834055-1	NATURAL
PART NUMBER	PLUG P/N	RECEPTACLE P/N	PART COLOR

THIS DRAWING IS A CONTROLLED DOCUMENT.		DWN 18DEC2015 ZHANG WEI	 TE Connectivity	
DIMENSIONS: mm		CHK 18DEC2015 SHI MING		
TOLERANCES UNLESS OTHERWISE SPECIFIED: ± 0.50		APVD 18DEC2015 XIU XIANG	NAME 3 PIN WIRE TO WIRE CONNECTOR MATING ASSEMBLY	
0-PLC ± 1-PLC ± 2-PLC ± 3-PLC ± 4-PLC ± ANGLES ±°		PRODUCT SPEC 108-137160	SIZE CAGE CODE DRAWING NO RESTRICTED TO	
MATERIAL -		APPLICATION SPEC 114-137160	A 300779 C-2834056	
FINISH -		WEIGHT 4.28g	SCALE 1:1 SHEET 1 OF 2 REV B	
		CUSTOMER DRAWING		

THIS DRAWING IS UNPUBLISHED.

RELEASED FOR PUBLICATION

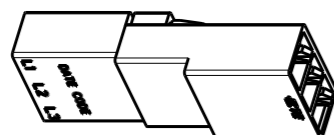
20

© COPYRIGHT 20 BY -

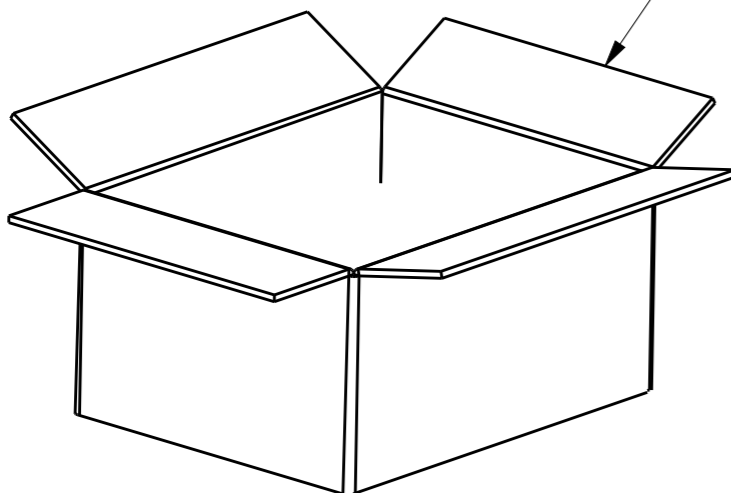
ALL RIGHTS RESERVED.

REVISIONS

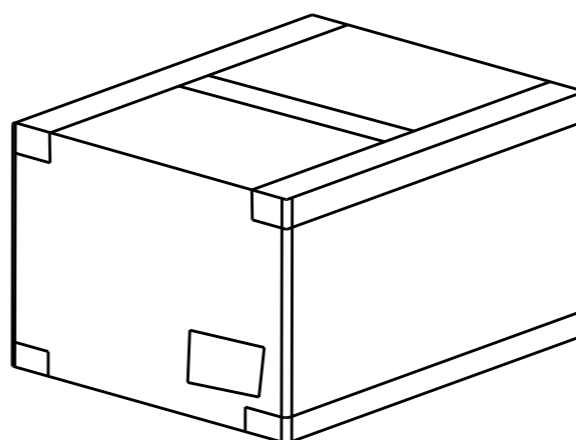
P	LTR	DESCRIPTION	DATE	DWN	APVD
-		SEE SHEET 1	-	-	-



PLASTIC BAG



CARTON



NOTE:
1. PACKAGING QUANTITY: SEE TABLE.

PAIRS PER BAG	BAGS PER CARTON	PAIRS PER CARTON
200	8	1600

THIS DRAWING IS A CONTROLLED DOCUMENT.

DIMENSIONS:	TOLERANCES UNLESS OTHERWISE SPECIFIED:
mm	
	0 PLC ±
	1 PLC ±
	2 PLC ±
	3 PLC ±
	4 PLC ±
	ANGLES ±1°
MATERIAL	FINISH
-	-
-	-

DWN	ZHANG WEI	18DEC2015
CHK	SHI MING	18DEC2015
APVD	XU XIANG	18DEC2015
PRODUCT SPEC	108-137160	
APPLICATION SPEC	114-137160	
WEIGHT	4.28g	
CUSTOMER DRAWING		



NAME				3 PIN WIRE TO WIRE CONNECTOR MATING ASSEMBLY	
SIZE				CAGE CODE	RESTRICTED TO
A300779		C=2834056		-	
SCALE			SHEET	REV	
1:1			2 OF 2	B	