

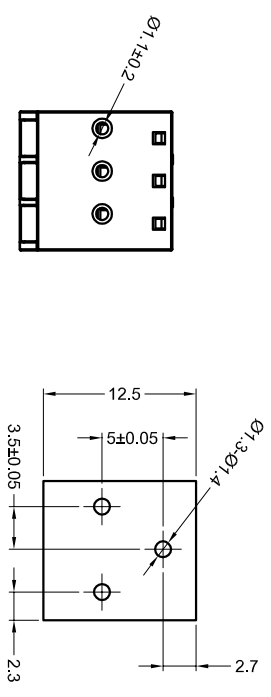
REV ISIONS		DATE	BY	APP'D
NO.	DESCRIPTION			
P	LTR			
A	FIRST VERSION			

NOTES :

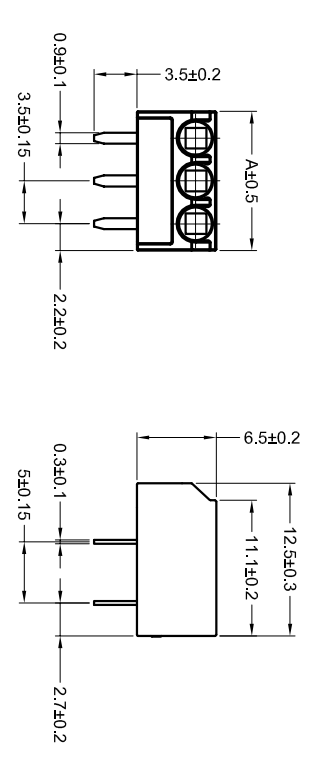
- △ MATERIALS AND FINISH:
  - HOUSING: PA66
  - CONTACTS: COPPER ALLOY, FINISH: TIN OVER NICKEL UNDERPLATE

2. MUST COMPLY WITH DIRECTIVE 2002/95/EC (ROHS)
3. WIRE TYPES AND SIZES ACCEPTED  
 WIRE RANGE: 16AWG~20AWG.  
 STRIP LENGTH: 7.5mm~8.5mm
4. PACKAGED IN TRAY.
5. CURRENT RATING: 6Amp AC300V.
6. OPERATION TEMPERATURE: -40°C TO +105°C

P/N: \*-2834019-\*



PCB Layout



COLOR CODE: \_\_\_\_\_ PIN No: \_\_\_\_\_

SERIES CODE	POSN
1=GREEN	2=2 POSN
2=BLUE	3=3 POSN
3=BROWN	4=4 POSN
4=ORANGE	5=5 POSN
5=GREY	6=6 POSN
6=RED	7=7 POSN
7=YELLOW	8=8 POSN
8=PURPLE	
9=WHITE	
0=BLACK	

REMARK: THE DIFFERENT COLORS COULD BE COMBINED TO THE NEW CONNECTOR P/NS FOR CUSTOMER REQUEST.

28.90	8 POSN
25.40	7 POSN
21.90	6 POSN
18.40	5 POSN
14.90	4 POSN
11.40	3 POSN
7.90	2 POSN
A	NO. OF POSITIONS

THIS DRAWING IS A CONTROLLED DOCUMENT.

DESIGNER	CHKD	DATE
SHI MING	SHI MING	14JAN2015
DRWING NO.	REV	
109-137093	1	
APP. DATE	APP. DATE	
11-4-137093		
VERSION		

3.50mm Pitch Modular Screwless Conn.

SCALE: 1:1

SIZE: A2

CODE: 00779

REV: A

DATE: 14JAN2015

BY: SHI MING

CHKD: SHI MING

DATE: 14JAN2015

APP. DATE: 11-4-137093

APP. DATE: 11-4-137093

VERSION: 1

CUSTOMER DRAWING

STE TE Connectivity