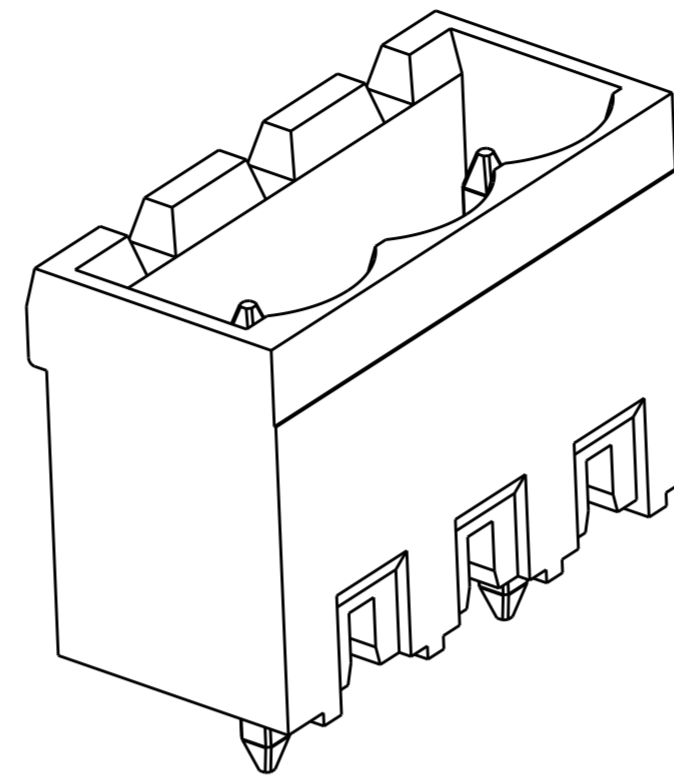
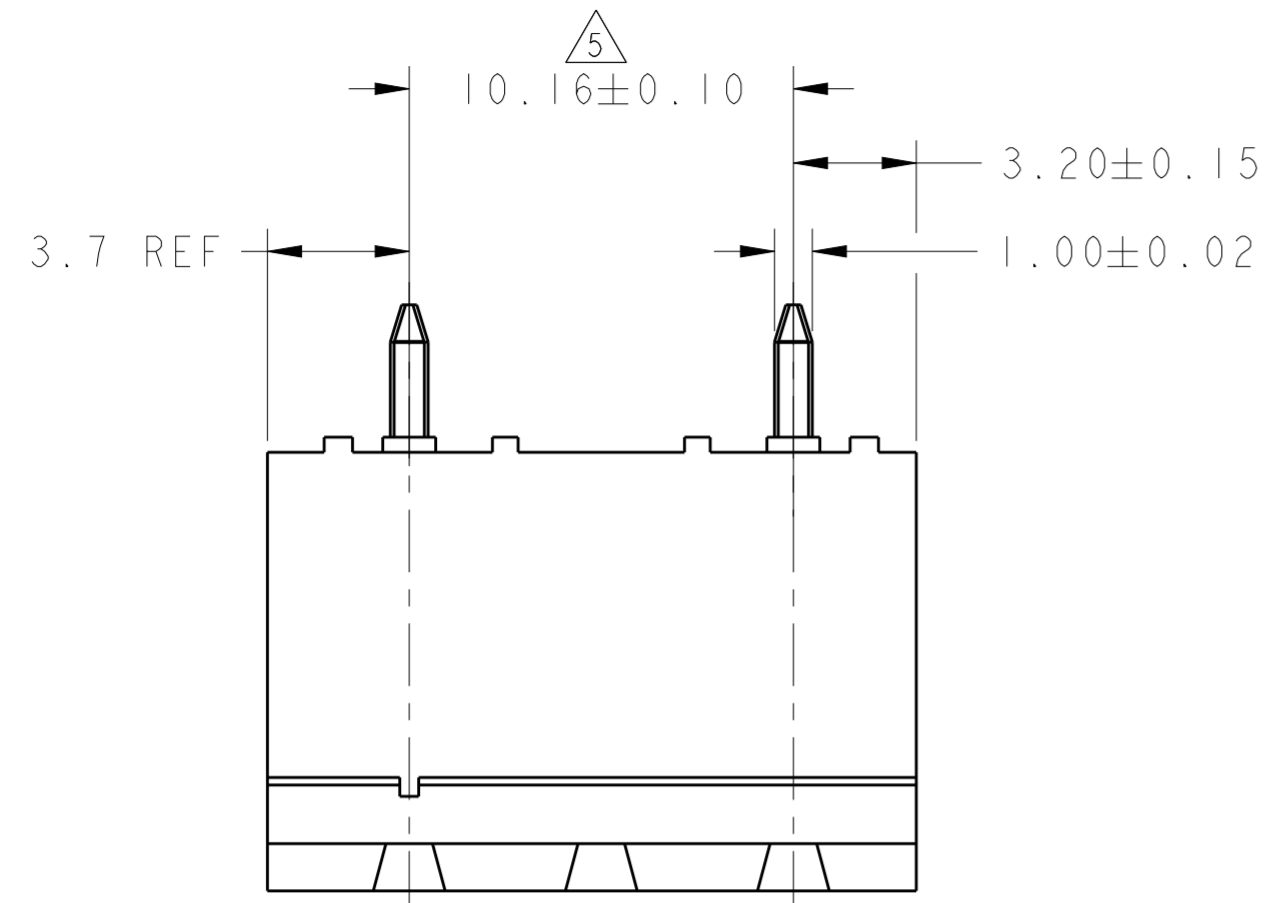


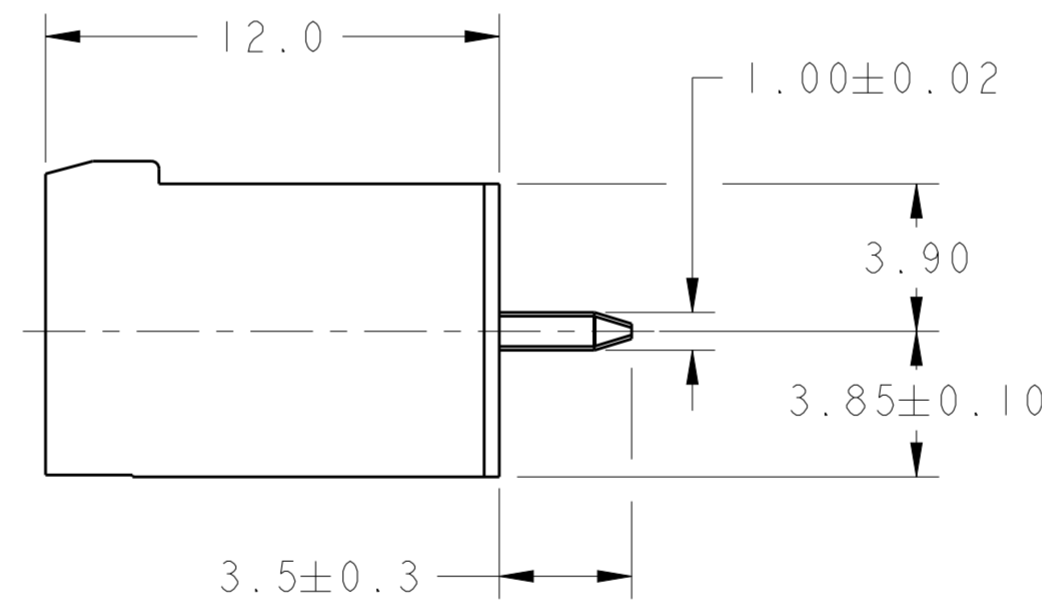
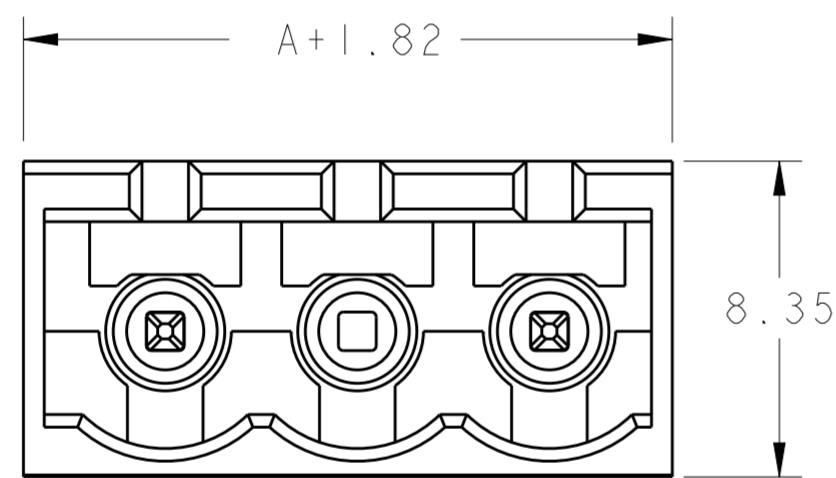
| REVISIONS | | | | |
|-----------|-----|--|-----------|-------|
| P | LTR | DESCRIPTION | DATE | APVD |
| D4 | | STAND OFF FEATURE MODIFIED AT BOTH THE END | 03MAR2020 | SS PS |
| | | | | |
| | | | | |



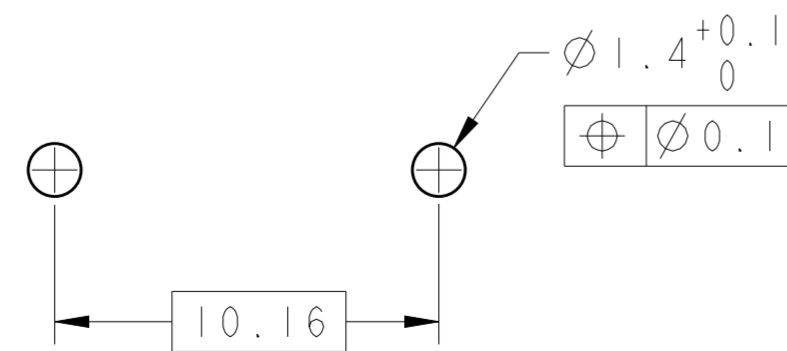
282828-2 AS SHOWN

- MATERIAL AND FINISH:
HOUSING : PA 66, UL 94-V0, COLOR: SEE TABLE
TERMINAL : COPPER ALLOY, FINISH: SEE TABLE
- MECHANICAL
MIN. PC BOARD HOLES DIAMETER : 1.4 mm
MAX. PC BOARD THICKNESS : 2.4 mm
- ELECTRICAL
MAX. VOLTAGE : 600 V
MAX CURRENT : 15 A
CONTACT RESISTANCE : <15 m Ohm
INSULATION RESISTANCE : >1000 M Ohm (500V DC)
- OPERATING TEMPERATURE RANGE: -40°C TO +105°C

△ NOT CUMULATIVE TOLERANCE.



| | | | | | |
|---------------|---------------------|--|----|------------|-------------|
| BLACK | TIN PLATED | 35.56 ^{+0.25} _{-0.15} | 4 | 2-282828-4 | |
| GREEN | 0.00076 GOLD PLATED | 15.24 ^{+0.20} _{-0.10} | 2 | 1-282828-4 | |
| GREEN | TIN PLATED | 127.00 ^{+0.40} _{-0.25} | 13 | 1-282828-3 | |
| GREEN | | 116.84 ^{+0.40} _{-0.25} | 12 | 1-282828-2 | |
| GREEN | | 106.68 ^{+0.40} _{-0.25} | 11 | 1-282828-1 | |
| GREEN | | 96.52 ^{+0.40} _{-0.25} | 10 | 1-282828-0 | |
| GREEN | | 86.36 ^{+0.35} _{-0.25} | 9 | 282828-9 | |
| GREEN | | 76.20 ^{+0.35} _{-0.25} | 8 | 282828-8 | |
| GREEN | | 66.04 ^{+0.35} _{-0.20} | 7 | 282828-7 | |
| GREEN | | 55.88 ^{+0.30} _{-0.20} | 6 | 282828-6 | |
| GREEN | | 45.72 ^{+0.30} _{-0.20} | 5 | 282828-5 | |
| GREEN | | 35.56 ^{+0.50} _{-0.15} | 4 | 282828-4 | |
| GREEN | | 25.40 ^{+0.25} _{-0.15} | 3 | 282828-3 | |
| GREEN | | 15.24 ^{+0.20} _{-0.10} | 2 | 282828-2 | |
| HOUSING COLOR | | CONTACT FINISH | A | NO OF POSN | PART NUMBER |



RECOMMENDED PC BOARD LAYOUT

| | | | | |
|--|--|-------------------------------------|--|-----------------|
| THIS DRAWING IS A CONTROLLED DOCUMENT. | | DWN E. ZANOLINI 31 JUL 2001 | TE Connectivity | |
| DIMENSIONS: mm | | CHK D. BIEVENOUR 31 JUL 2001 | | |
| TOLERANCES UNLESS OTHERWISE SPECIFIED: | | APVD D. BIEVENOUR 31 JUL 2001 | NAME TERMINAL BLOCK HEADER ASSEMBLY 180 DEG CLOSED ENDS 10.16mm PITCH | |
| 0 PLC ± 1 PLC ±0.3 2 PLC ±0.25 3 PLC ± 4 PLC ± | | PRODUCT SPEC - | SIZE A200779 | |
| ANGLES ±2° | | APPLICATION SPEC - | DRAWING NO C-282828 | |
| FINISH SEE TABLE | | WEIGHT - | RESTRICTED TO | |
| MATERIAL SEE TABLE | | CUSTOMER DRAWING | SCALE 5:1 | SHEET 1 OF 1 |
| | | | REV D4 | |