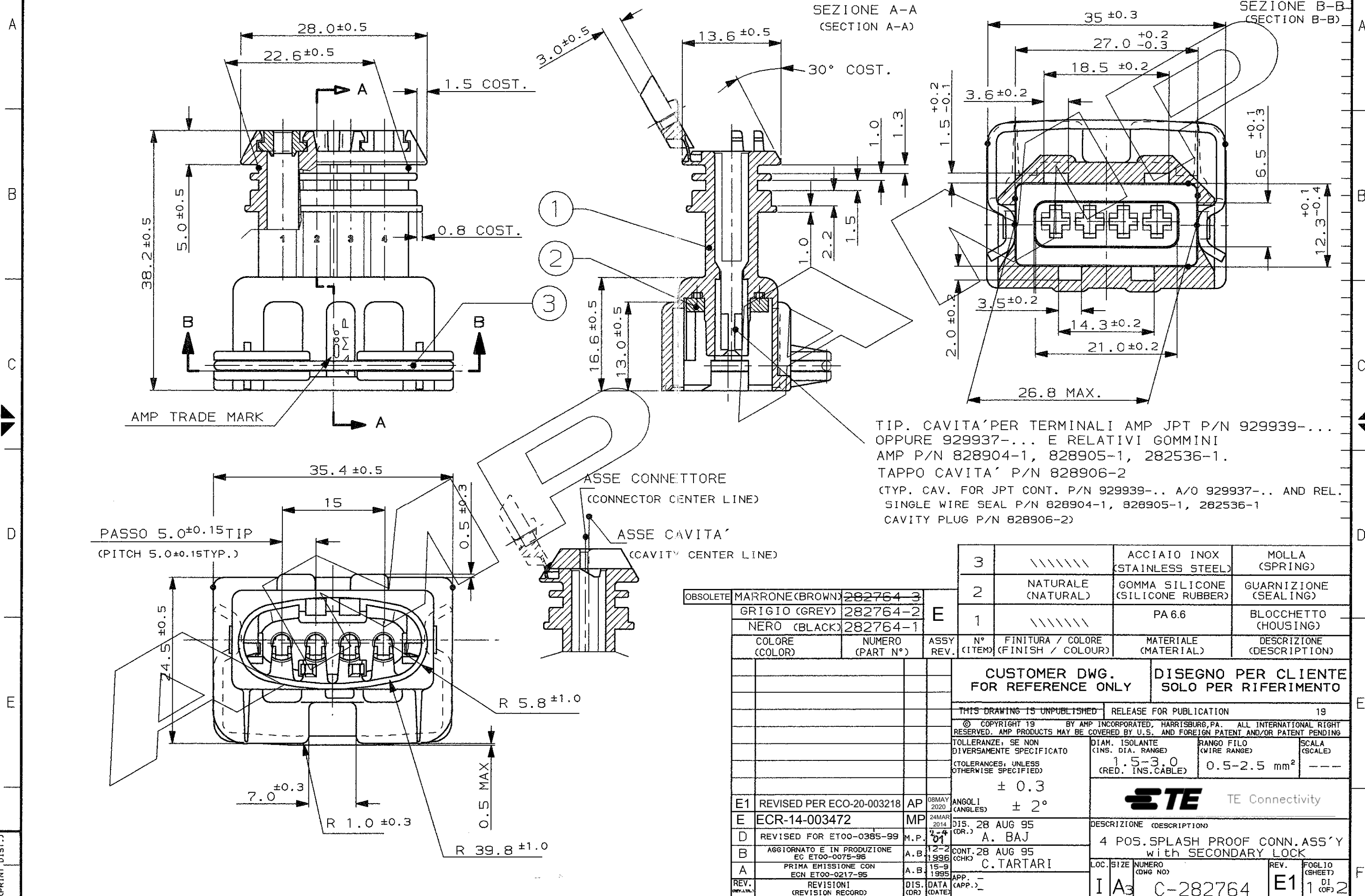


CONNETTORE TIPO A (CON MOLLA DI RITEGNO ESTERNA)
CONNECTOR TYPE B (WITH INTERNAL SPRING)

SCALA NON IMPEGNATIVA
(DO NOT SCALE)
DIMENSIONI IN mm
(DIMENSIONS IN mm)

METRIC

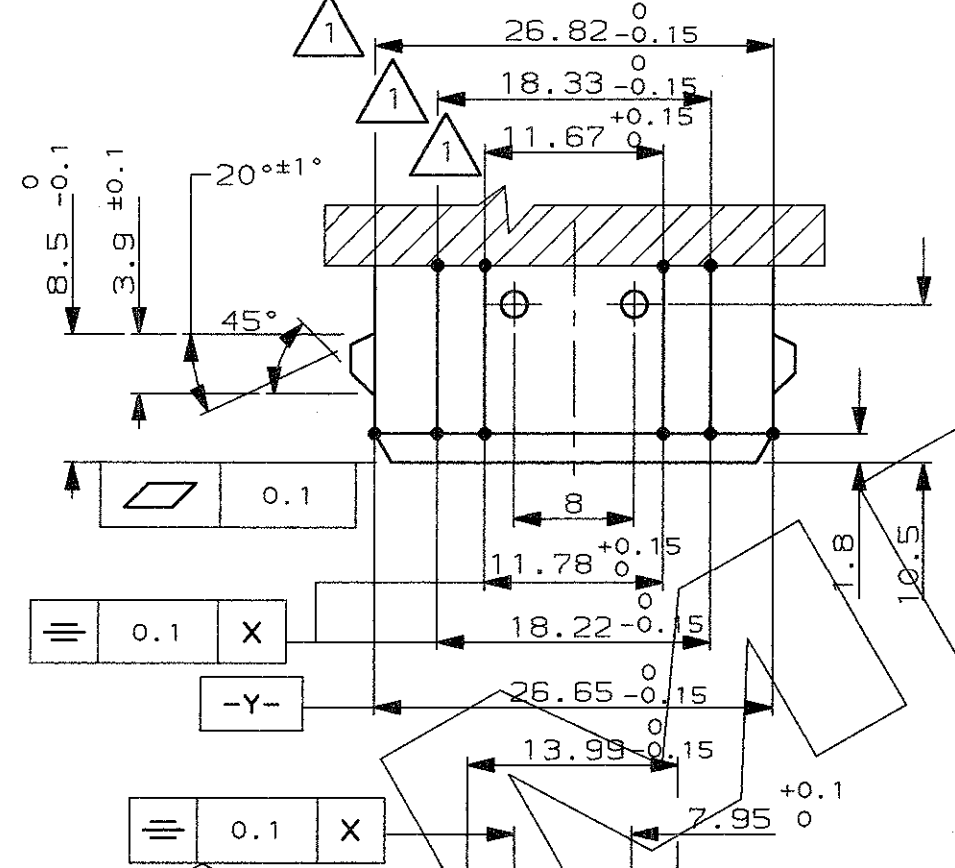
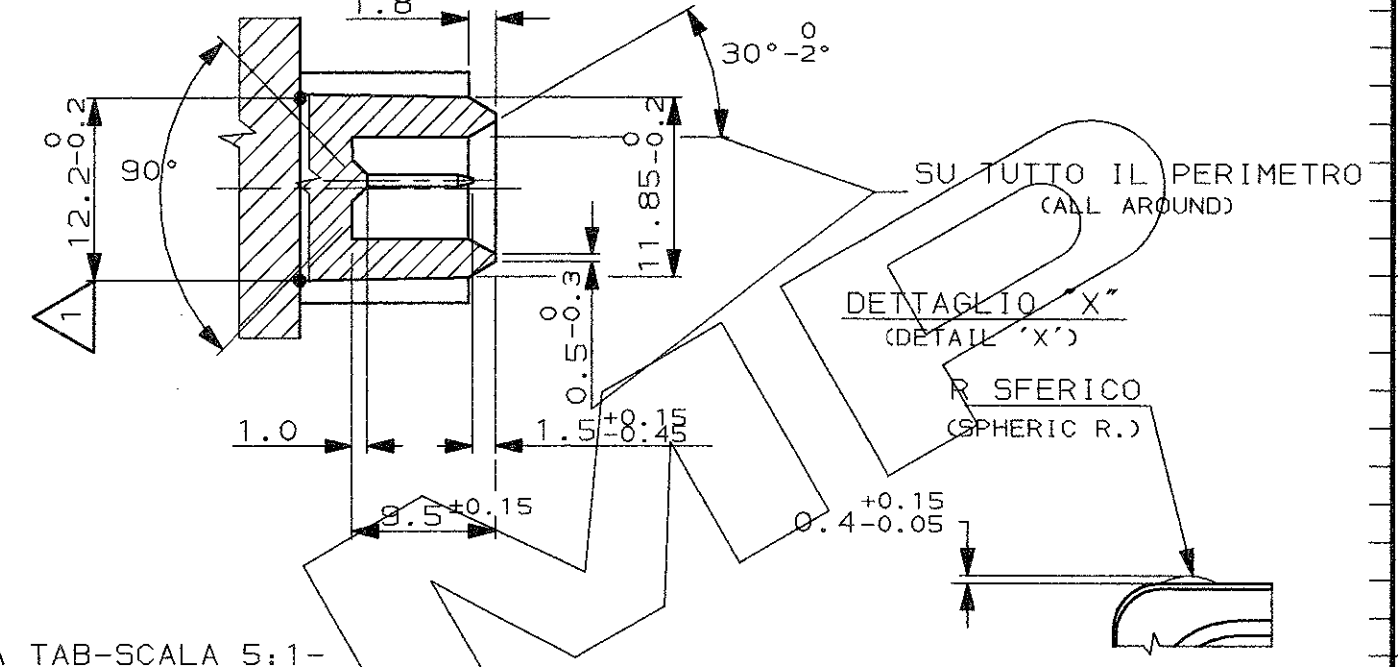
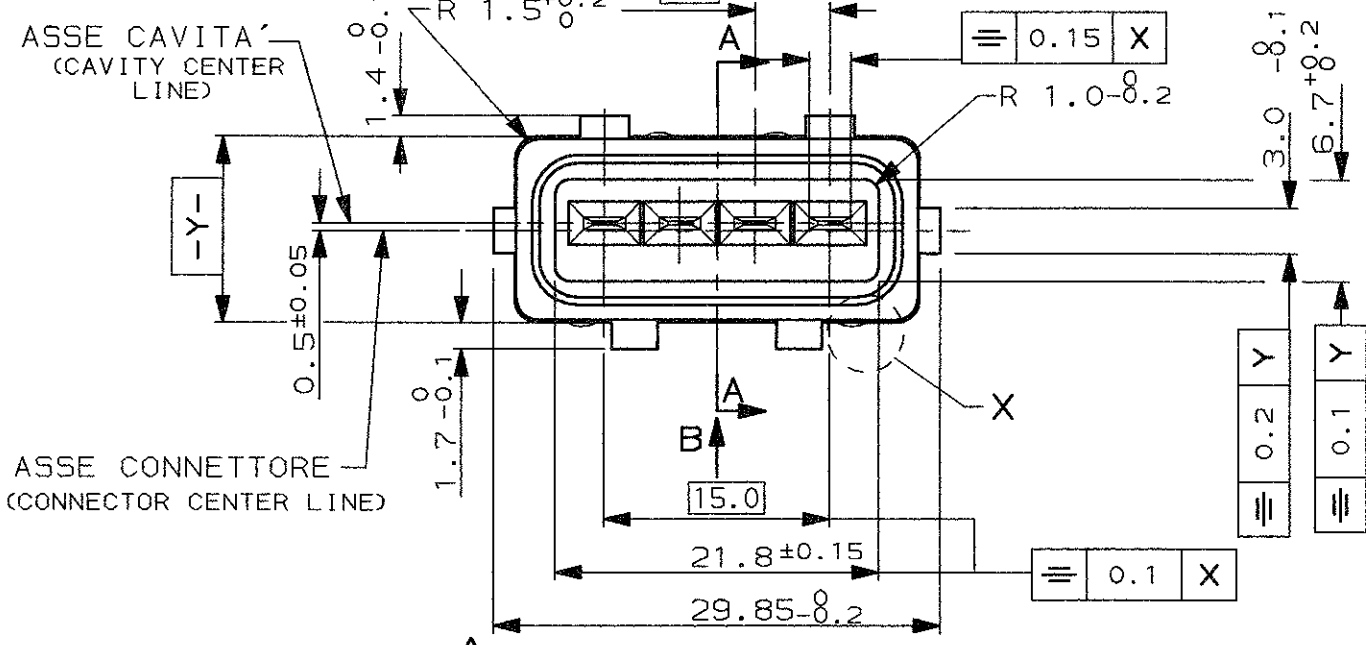
PROIEZIONE EUROPEA
(EUROPEAN PROJECTION)



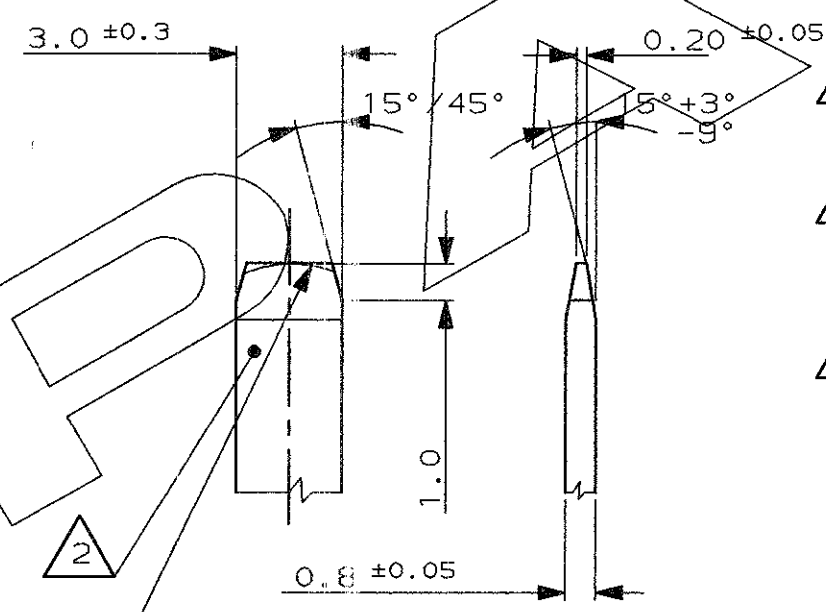
TIP. CAVITA' PER TERMINALI AMP JPT P/N 929939-...
OPPURE 929937-... E RELATIVI GOMMINI
AMP P/N 828904-1, 828905-1, 282536-1.
TAPPO CAVITA' P/N 828906-2
(TYP. CAV. FOR JPT CONT. P/N 929939-... A/O 929937-... AND REL.
SINGLE WIRE SEAL P/N 828904-1, 828905-1, 282536-1
CAVITY PLUG P/N 828906-2)

3	//////	ACCIAIO INOX (STAINLESS STEEL)	MOLLA (SPRING)
2	NATURALE (NATURAL)	GOMMA SILICONE (SILICONE RUBBER)	GUARNIZIONE (SEALING)
1	//////	PA 6.6	BLOCCHETTO (HOUSING)
COLORE (COLOR)	NUMERO (PART N°)	ASSY REV.	N° (ITEM)
			FINITURA / COLORE (FINISH / COLOUR)
			MATERIALE (MATERIAL)
			DESCRIZIONE (DESCRIPTION)
CUSTOMER DWG. FOR REFERENCE ONLY		DISEGNO PER CLIENTE SOLO PER RIFERIMENTO	
THIS DRAWING IS UNPUBLISHED		RELEASE FOR PUBLICATION	
© COPYRIGHT 19 BY AMP INCORPORATED, HARRISBURG, PA. ALL INTERNATIONAL RIGHT RESERVED. AMP PRODUCTS MAY BE COVERED BY U.S. AND FOREIGN PATENT AND/OR PATENT PENDING			
TOLLERANZE, SE NON DIVERSAMENTE SPECIFICATO (TOLERANCES, UNLESS OTHERWISE SPECIFIED)		DIAM. ISOLANTE (INS. DIA. RANGE)	RANGO FILO (WIRE RANGE)
± 0.3		1.5-3.0 (RED. INS. CABLE)	0.5-2.5 mm ²
ANGOLI (ANGLES)		SCALA (SCALE)	
± 2°		---	
E1	REVISED PER ECO-20-003218	AP	08MAY 2020
E	ECR-14-003472	MP	24MAR 2014
D	REVISED FOR ET00-0385-99	M.P.	01
B	AGGIORNATO E IN PRODUZIONE EC ET00-0075-96	A.B.	12-2 1996
A	PRIMA EMISSIONE CON ECN ET00-0217-95	A.B.	15-9 1995
REV. (REV.)	REVISIONI (REVISION RECORD)	DIS. (DR)	DATA (DATE)
			APP. (APP.)
		DESCRIZIONE (DESCRIPTION)	
		4 POS. SPLASH PROOF CONN. ASS'Y with SECONDARY LOCK	
LOC.	SIZE	NUMERO (DWG NO)	REV.
I	A3	C-282764	E1
			FOGLIO (SHEET)
			1 DI (OF) 2

DISTRIBUZIONE
(PRINT DIST.)

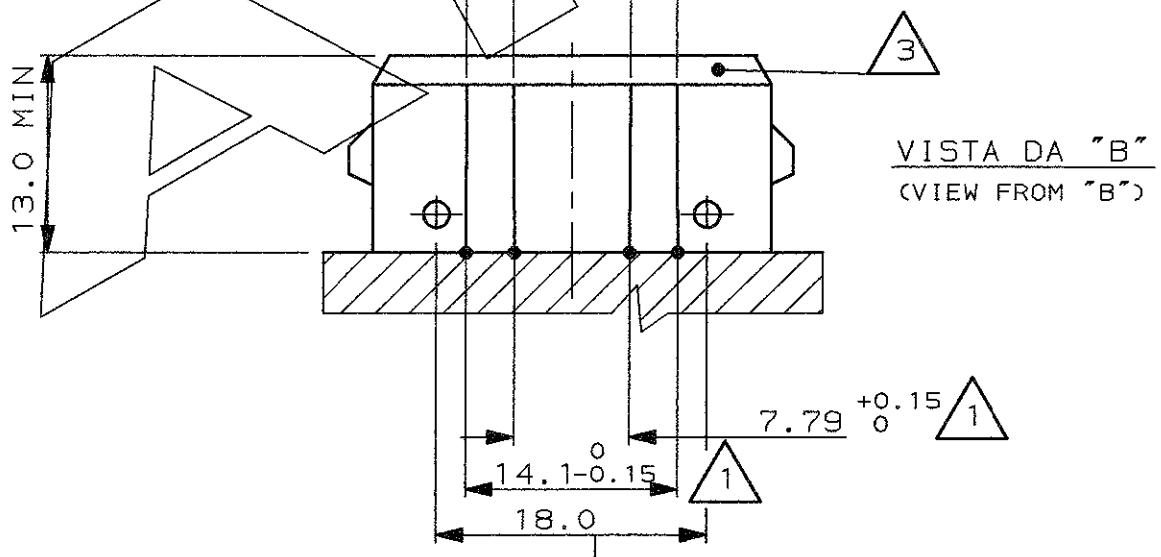


DETT. LINGUETTA TAB-SCALA 5:1-
 (ALLOWED ALTERNATIVE PROFILE RADIUS)



FORMA ALTERNATIVA PERMESSA CON RAGGIO
 (ALLOWED ALTERNATIVE PROFILE WITH RADIUS)

- 1 QUOTE APPLICABILI PER SFORMATURA PEZZO (DRAFT PERMITTED TO FACILITATE REMOVAL OF PART FROM THE MOULD)
- 2 MATERIALE LINGUETTE: LEGA DI RAME STAGNATA, ES. OTTONE STAGNATO. (TAB CONTACT MATERIAL: TIN PLATED COPPER ALLOY. E.G. BRASS TIN PLATED)
- 3 MATERIALE BLOCCHETTO: TERMOPLASTICO CARICATO FIBRA VETRO. (HOUSING MATERIAL: THERMOPLASTIC, GLASS FIBER FILLED)



FINITURA / COLORE (FINISH / COLOUR)	MATERIALE (MATERIAL)	NUMERO (PART NUMBER)
CUSTOMER DWG. FOR REFERENCE ONLY	DISEGNO PER CLIENTE SOLO PER RIFERIMENTO	19
THIS DRAWING IS UNPUBLISHED		RELEASE FOR PUBLICATION
© COPYRIGHT 19 BY AMP INCORPORATED, HARRISBURG, PA. ALL INTERNATIONAL RIGHT RESERVED. AMP PRODUCTS MAY BE COVERED BY U.S. AND FOREIGN PATENT AND/OR PATENT PENDING		
TOLLERANZE; SE NON DIVERSAMENTE SPECIFICATO (TOLERANCES, UNLESS OTHERWISE SPECIFIED)	DIAM. ISOLANTE (INS. DIA. RANGE)	RANGO FILO (WIRE RANGE)
± 0.3	---	---
ANGOLI (ANGLES)	SCALA (SCALE)	
± 2°	---	
DIS. (DR.)	DESCRIZIONE (DESCRIPTION)	
CONT. (CHK)	4 POS. SPLASH PROOF CONN. ASS'Y with SECONDARY LOCK	
APP. (CAP)	LOC. SIZE NUMERO (CONG NO)	REV. FOLIO (SHEET)
(SEE SHEET 1 OF 2)	I A3 C-282764	E1 2 OF 2
REV. (REV.)	REVISIONI (REVISION RECORD)	DIS. DATA (DR. DATE)

DISTRIBUZIONE (PRINT DIST.)