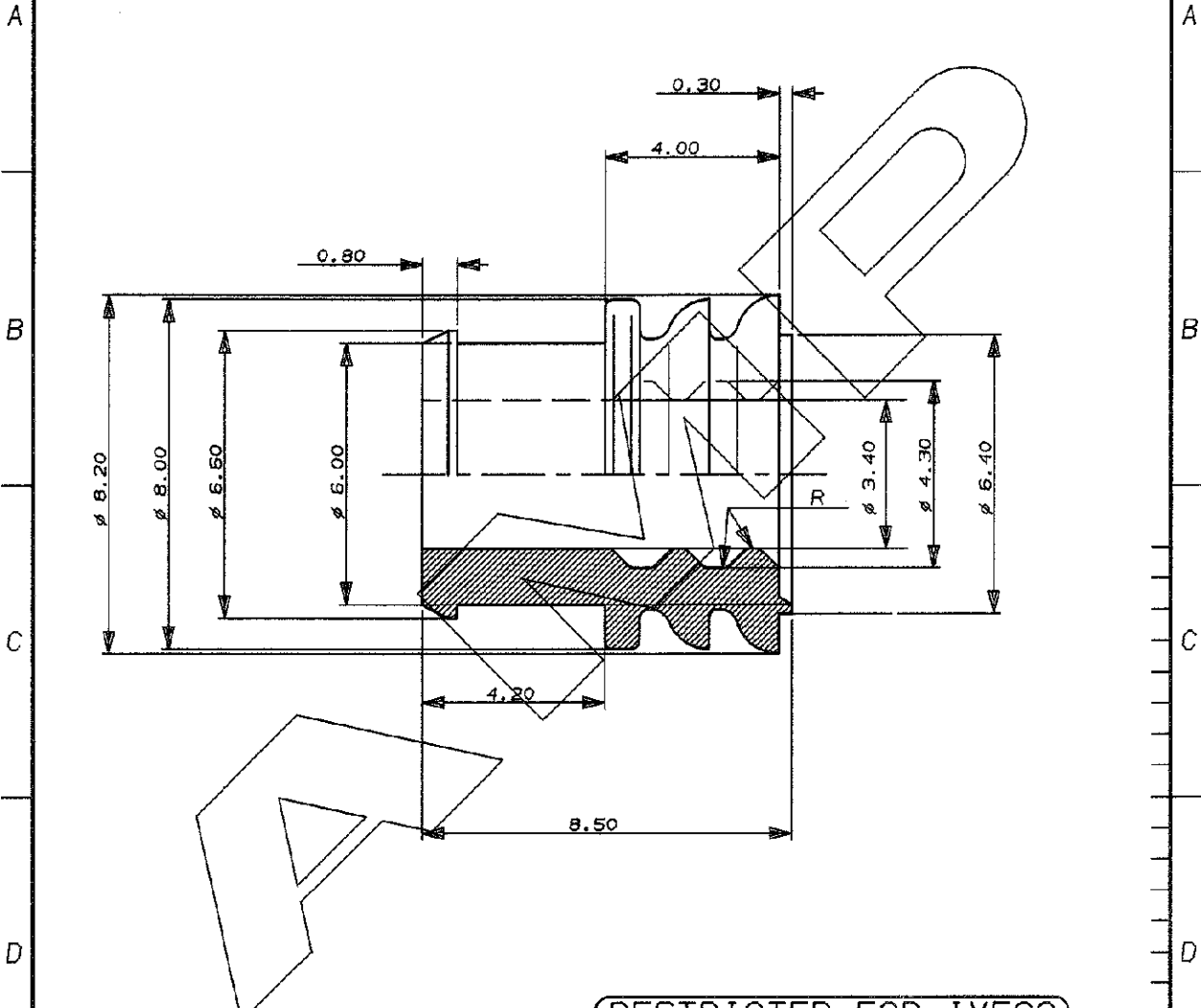


SCALA NON IMPEGNATIVA
(DO NOT SCALE)
DIMENSIONI IN mm
(DIMENSIONS IN)

METRIC

PROIEZIONE EUROPEA
(EUROPEAN PROJECTION)



RESTRICTED FOR IVECO

GRIGIO (GREY)	SILICON RUBBER	282362-1
FINITURA / COLORE (FINISH / COLOUR)	MATERIALE (MATERIAL)	NUMERO (PART NUMBER)

CUSTOMER DWG. FOR REFERENCE ONLY **DISEGNO PER CLIENTE SOLO PER RIFERIMENTO**

THIS DRAWING IS UNPUBLISHED RELEASE FOR PUBLICATION 19

© COPYRIGHT 19 BY AMP INCORPORATED, HARRISBURG, PA. ALL INTERNATIONAL RIGHT RESERVED. AMP PRODUCTS MAY BE COVERED BY U.S. AND FOREIGN PATENT AND/OR PATENT PENDING

TOLLERANZE, SE NON DIVERSAMENTE SPECIFICATO (TOLERANCES, UNLESS OTHERWISE SPECIFIED)	DIAM. ISOLANTE (INS. DIA. RANGED)	RANGO FILO (WIRE RANGE)	SCALA (SCALE)
± 0.3	3.85-4.75	-	-
ANGOLI (ANGLES)	AMP AMP ITALIA S.p.A. Corso F.lli Cervi, 15 COLLEONO (TORINO)		

DIS. C. BERTINI (DR.) 6-90 DESCRIZIONE (DESCRIPTION) WIRE SEAL

CONT. - A. BRUNI (CHK) - 6-90 LOC. SIZE NUMERO (DWG NO.) I A4 C-282362

APP. DATA (APP.) REV. FOGLIO (SHEET) D 1 (OF)

D	15. ERA 4.45-4.75 (EC 043-93)	3-6	93
C	ANNULLA REV. B (ECN 3138)	18-03	93
B	COLORE GIALLO ERA GRIGIO	1	93
A	IN PROD.	7-12	92
3	MODIF.	6	92
2	MODIF.	3-4	92
1	WAS 90-5127	18-03	92

DISTRIBUZIONE (PRINT DIST.)