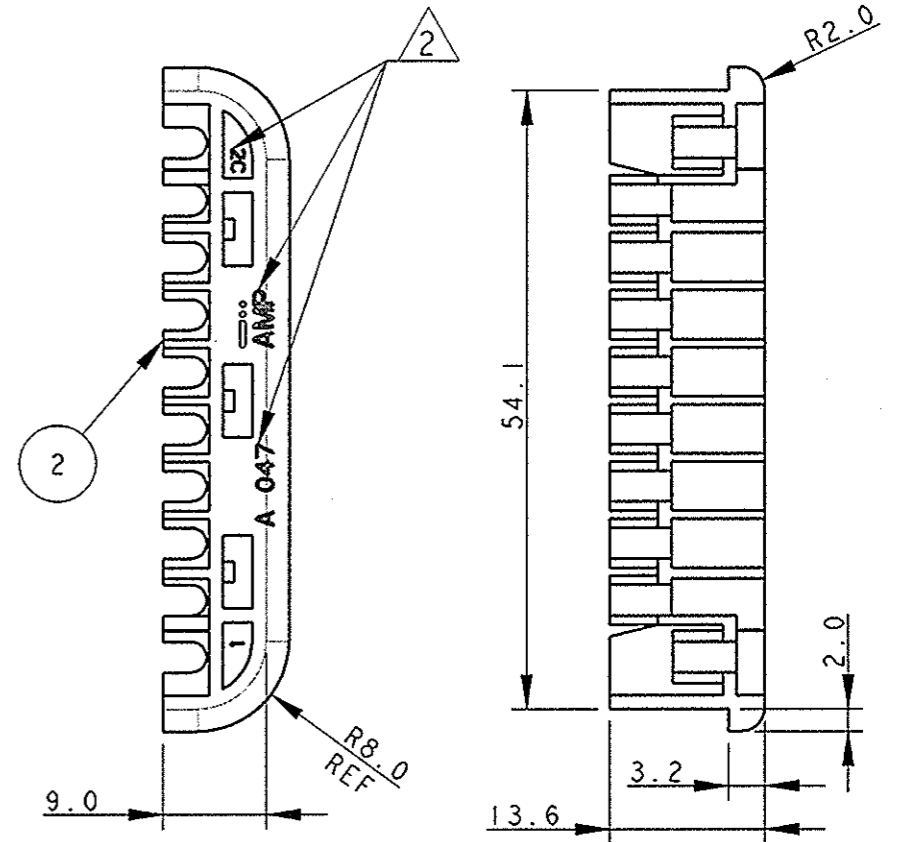
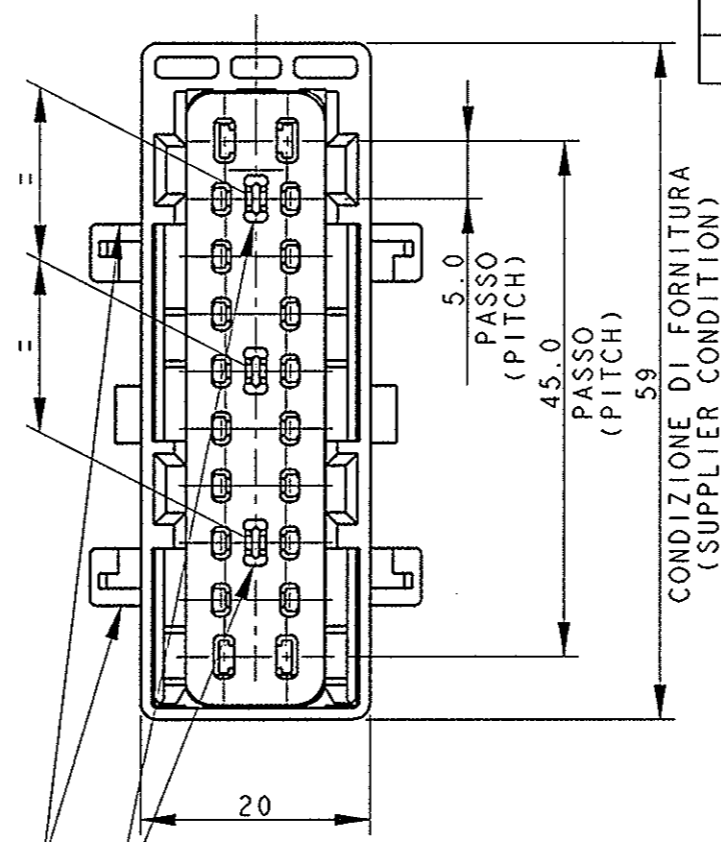
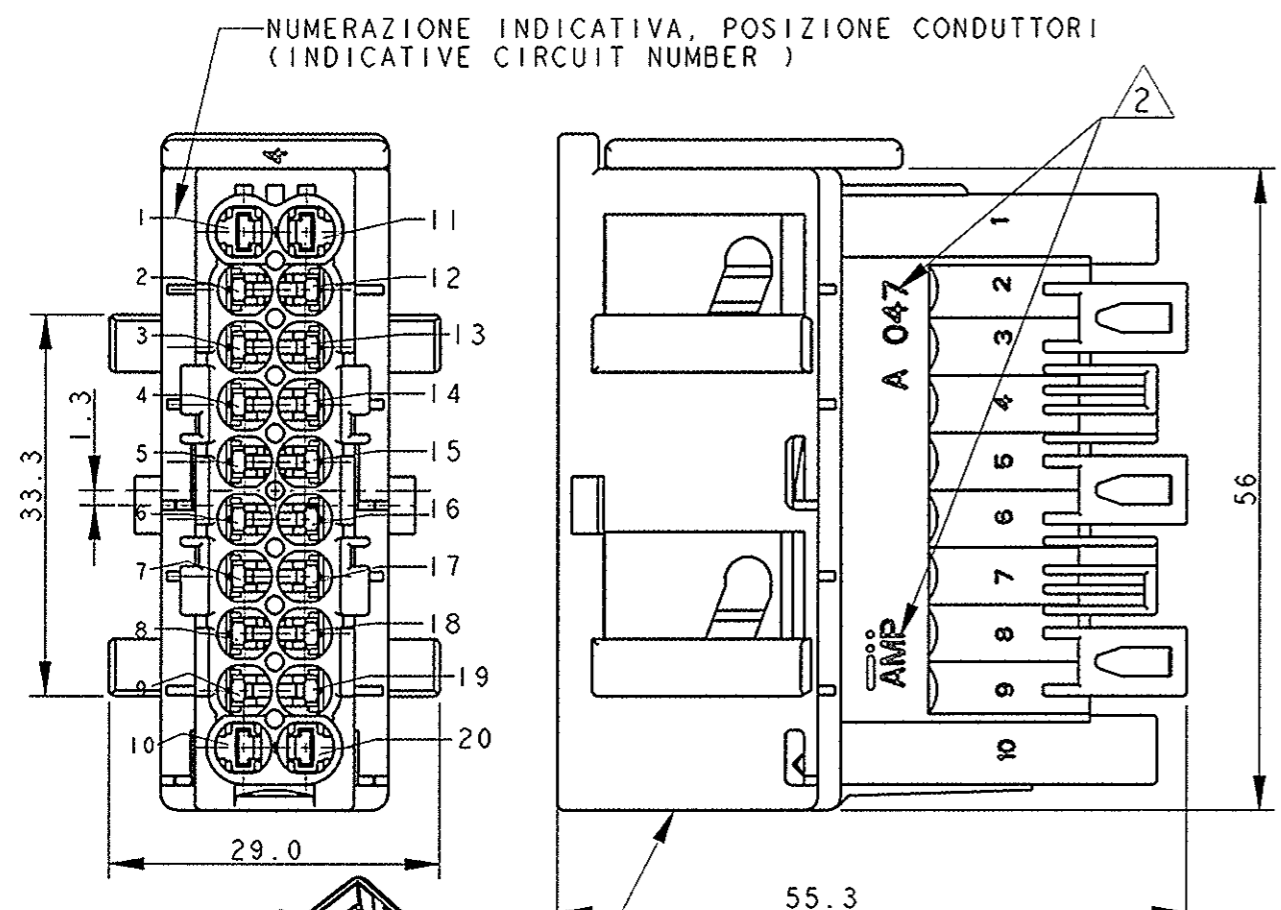
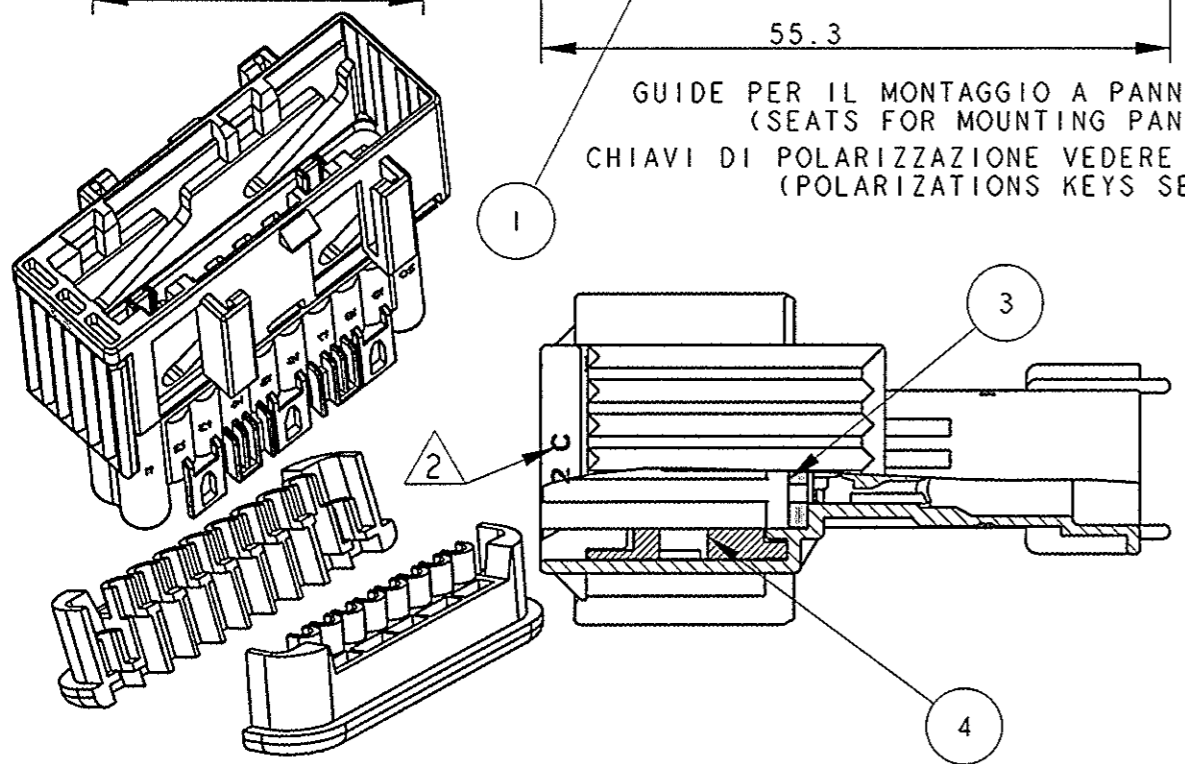


LOC	DIST	REVISIONS			
P	LTR	DESCRIPTION	DATE	DWH	APVD
A1	-	G	ECR-06-001266	17JAN2006	M.P.
		G1	REVISED PER ECN-22-133348	10JAN2022	AP VN



GUIDE PER IL MONTAGGIO A PANNELLO  
(SEATS FOR MOUNTING PANNEL)  
 CHIAVI DI POLARIZZAZIONE VEDERE TABELLA  
(POLARIZATIONS KEYS SEE DWG.)



SI.	ENTRambi i LATI (BOTH SIDES)	POSIZ. POLARIZ. POLARYTY POS	COMPONENTE (COMPONENT)	Q. TY	ITEM	COLORE (COLOUR)	MATERIALE (MATERIAL)	REV.	NUMERO PART NUMBER			
			SLIDE	1	4	BLACK	PA 66 30% C.V.		//			
			SEALING	1	3	RED	SILICON RUBBER		//			
			SECONDARY LOCK	2	2	BLACK	PBT 15% C.V.		//			
			SI, ENTRAMBI I LATI (BOTH SIDES)	2-12	8-18	MALE HSG.	1	1	BLACK	PA 66-30% C.V.	G	282278-4
			SI, ENTRAMBI I LATI (BOTH SIDES)	2-12	8-18	MALE HSG.	1	1	GREEN	PA 66-30% C.V.	G	282278-3
<b>OBSOLETE</b>	<b>NO</b>	<b>2-12-8-18</b>	<b>MALE HSG.</b>	<b>1</b>	<b>1</b>	<b>BLUE</b>	<b>PA 66 30% C.V.</b>	<b>G</b>	<b>282278-2</b>			
			SI, ENTRAMBI I LATI (BOTH SIDES)	3-13	9-19	MALE HSG.	1	1	GREY	PA 66-30% C.V.	G	282278-1

1) LE POSIZIONI 1, 10, 11 E 20 SONO ATTRIBUITE AI CONTATTI DI POTENZA P/N 2-962916-1. LE RESTANTI SONO ATTRIBUITE AI CONTATTI DI SEGNALE P/N 282288-1 E 282289-1.  
 (POS. ARE SUITABLE FOR CONTACT P/N 2-962916-1, ALL OTHER CAVITIES ARE SUITABLE FOR CONTACTS P/N P/N 282288-1 E 282289-1).

2) MARCHI DI FABBRICA, CODICE FORNITORE E DATARIO (TRADE MARCK, SUPPLIER CODE AND DATE CODE).

3) 282278-3 SUPERATO DA 282278-4 (282278-3 SUPERSEDED BY 282278-4).

THIS DRAWING IS A CONTROLLED DOCUMENT FOR TYCO ELECTRONICS CORPORATION IT IS SUBJECT TO CHANGE AND THE CONTROLLING ENGINEERING ORGANIZATION SHOULD BE CONTACTED FOR THE LATEST REVISION.

DWN M. PALMA 06 JUN 2005  
 CHK O. CANUTO 06 JUN 2005  
 APVD A. GENTA 06 JUN 2005

STE TE Connectivity

20 PO. SEALED SECTIONING MALE CONNECTOR KIT

108-20117

PRODUCT SPEC APPLICATION SPEC

SIZE A3 CAGE CODE - DRAWING NO C-282278 RESTRICTED TO -

WEIGHT -

CUSTOMER DRAWING SCALE - SHEET 1 OF 1 REV G1