

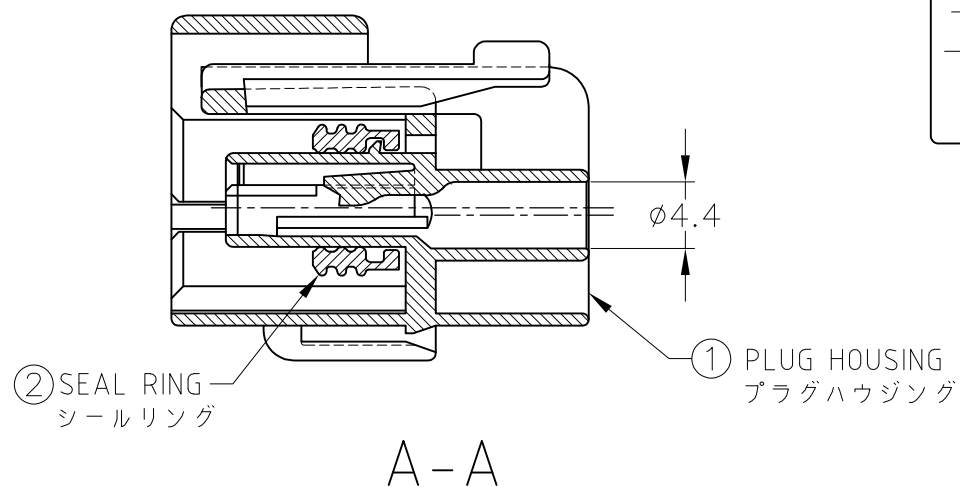
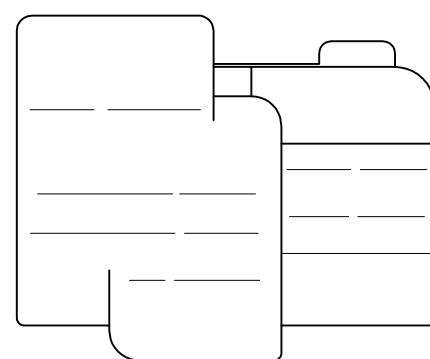
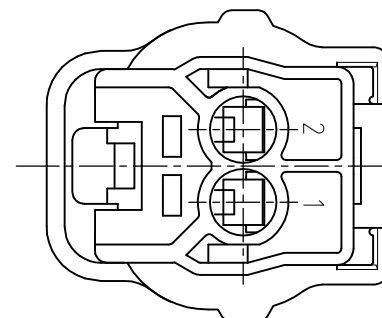
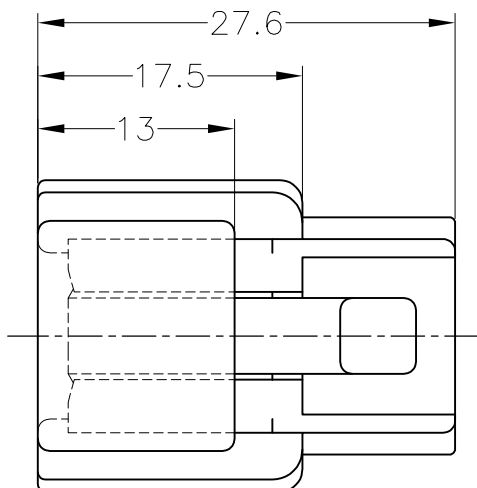
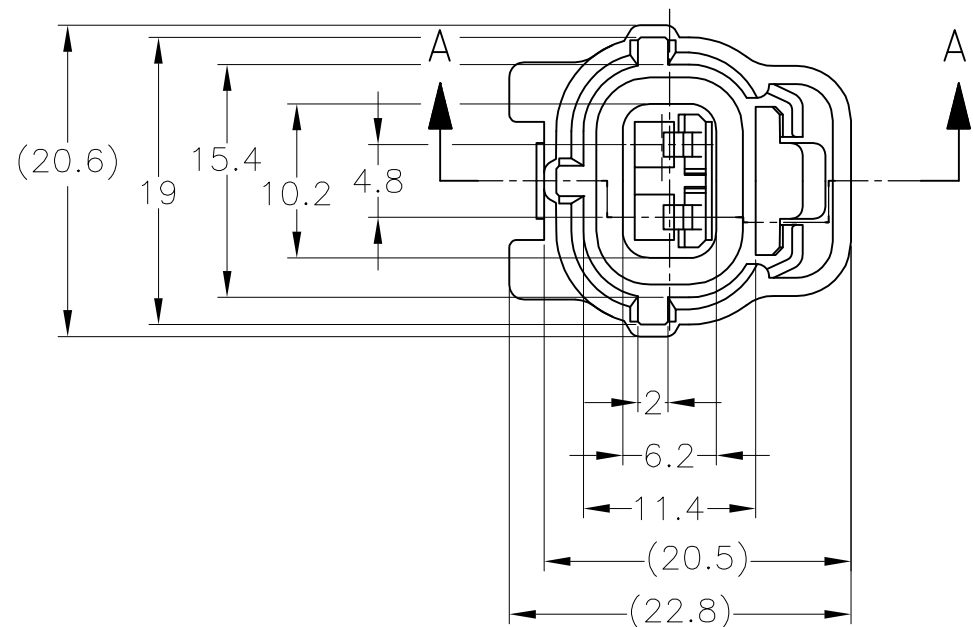
THIS DRAWING IS UNPUBLISHED.

RELEASED FOR PUBLICATION JUN,2014 .-

© COPYRIGHT 2014 Tyco Electronics Japan G.K.

ALL RIGHTS RESERVED.

LOC	DIST	REVISIONS					
J	-	P	LTR	DESCRIPTION	DATE	DWN	APVD
		A		RELEASED	06AUG14	DM	TK



- 1. 嵌合相手型番：174354, 173063
- 2. 本品はプラグハウジング単体にシールリングがアッセンブリされたものである。
- 3. 本品はダブルロックプレート型番 174353を装着して使用する。
- ④ シールリングはフタル酸フリー品である。

- 1. FOR CAP HOUSING PN 174354 AND 173063
- 2. THIS PART IS COMPOSED OF PLUG HOUSING AND SEAL RING
- 3. THIS PART MUST BE USED WITH DOUBLE LOCK PLATE PN 174353
- ④ SEAL RING IS NON-BIS TYPE

NBR④/BLACK	PBT/GRAY	2822348-2
NBR④/BLACK	PBT/BLACK	2822348-1
② SEAL RING	① PLUG HOUSING	PART NUMBER
MATERIAL / COLOR		

WIRE RANGE 抱合電線断面積	INSULATION DIA 被覆外径
-	-

THIS DRAWING IS A CONTROLLED DOCUMENT.		DWN D.MATSUURA 06AUG2014
DIMENSIONS: 単位：耗 mm		CHK S.IWATANI 06AUG2014
TOLERANCES UNLESS OTHERWISE SPECIFIED: 一般公差		APVD T.KOHNO 06AUG2014
TOLERANCE UNLESS OTHERWISE SPECIFIED: 一般公差		PRODUCT SPEC 製品規格 108-5262
ANGLE ; 角度		APPLICATION SPEC 取付適用規格
MATERIAL 材料	FINISH 仕上	WEIGHT 5.2g
SEE TABLE	-	CUSTOMER DRAWING

TOLERANCE UNLESS OTHERWISE SPECIFIED: 一般公差	
0 < x ≤ 10	: ±0.2
10 < x ≤ 30	: ±0.25
30 < x ≤ 100	: ±0.3
ANGLE ; 角度	: ±3°

TE Connectivity		NAME 名称		RESTRICTED TO
		2Pos. ECONOSEAL J-MARKII+ CONNECTOR PLUG HOUSING		
SIZE	CAGE CODE	DRAWING NO 番号	SCALE 尺度	
A3	00779	C-2822348	2:1	SHEET 1 OF 2
CUSTOMER DRAWING			REV A	

THIS DRAWING IS UNPUBLISHED.

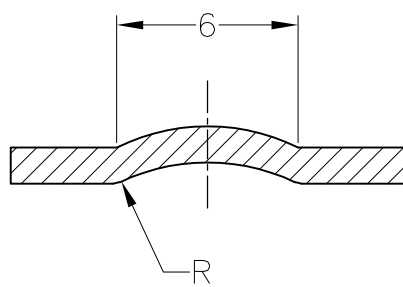
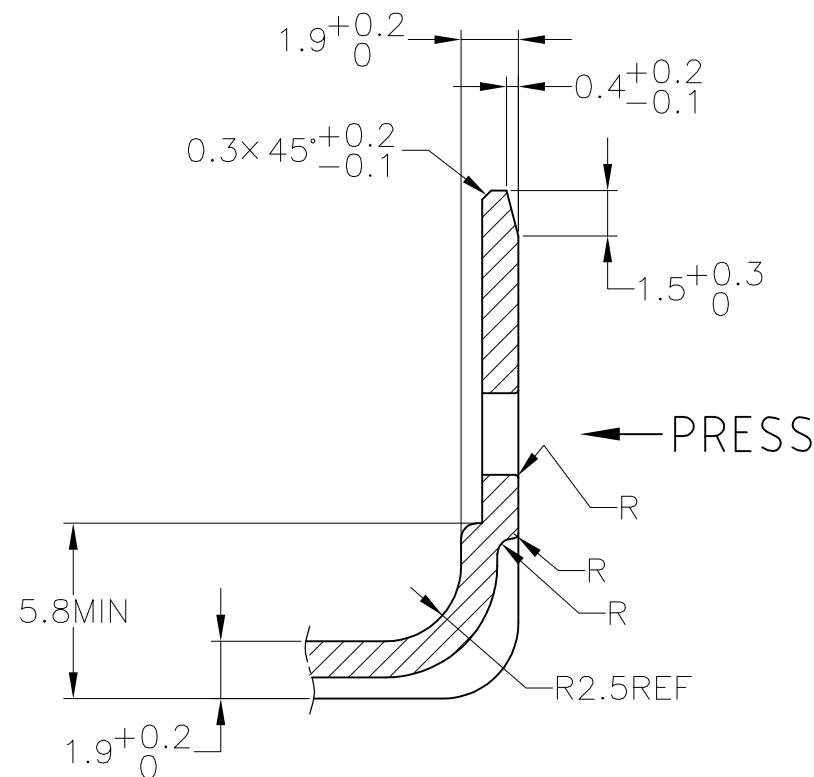
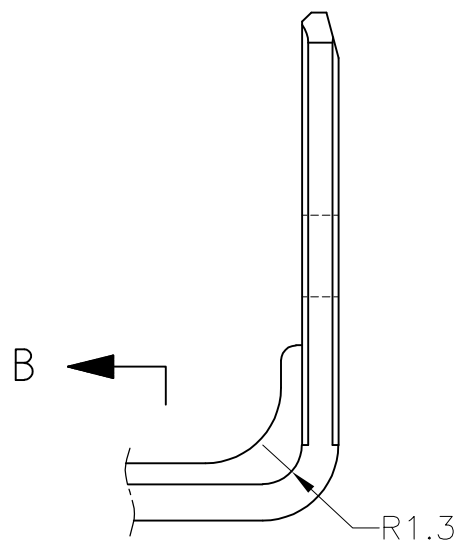
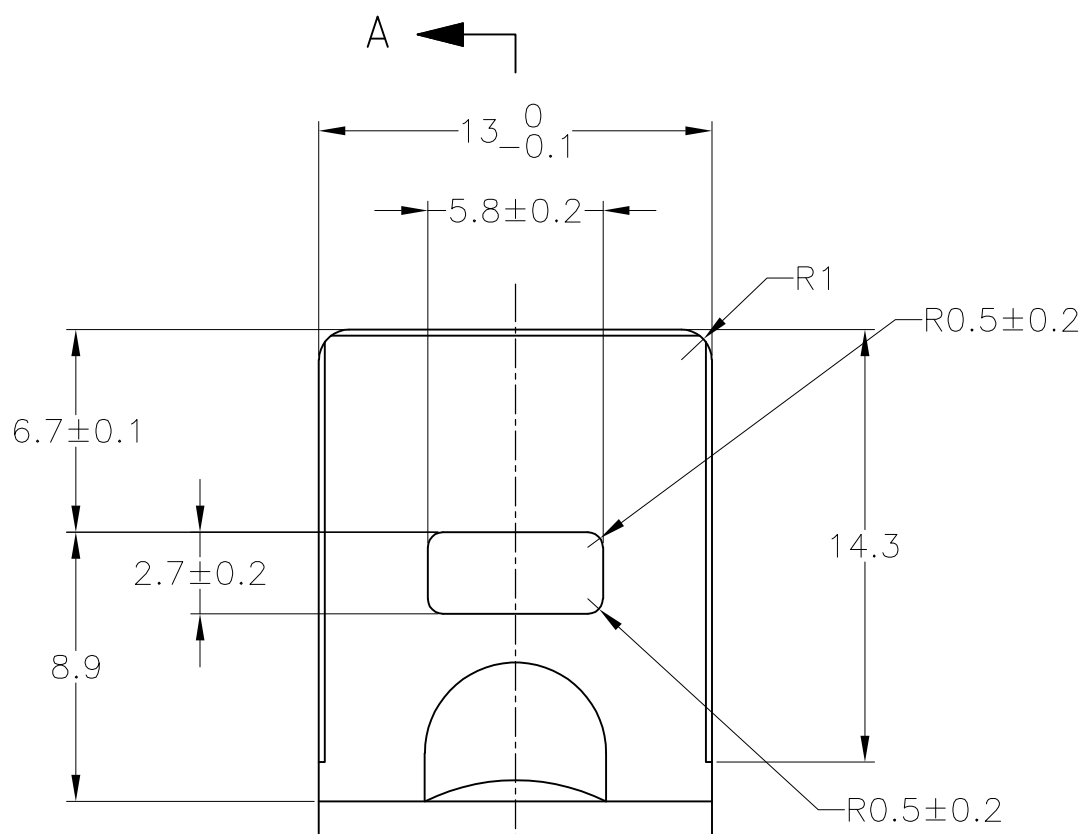
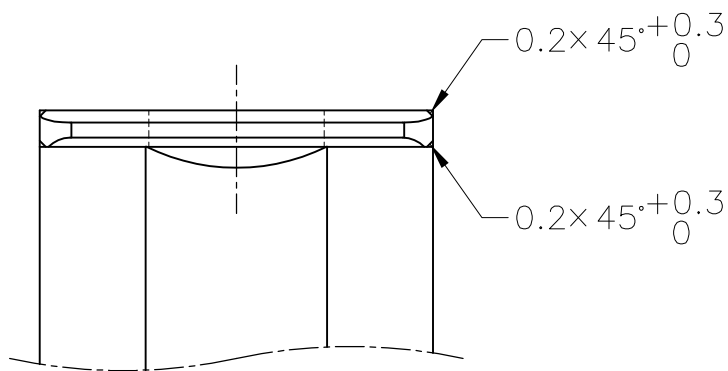
RELEASED FOR PUBLICATION

-. -. .

© COPYRIGHT - Tyco Electronics Japan G.K.

ALL RIGHTS RESERVED.

LOC	DIST	REVISIONS			DATE	DWN	APVD
J	-	P	LTR	DESCRIPTION			
		-		SEE SHEET 1	-	-	-



t = 1.2 ± 0.08

TOLERANCE UNLESS OTHERWISE SPECIFIED: 一般公差	
0 < x ≤ 10	: ±0.2
10 < x ≤ 30	: ±0.25
30 < x ≤ 100	: ±0.3
ANGLE ; 角度	: ±3°

THIS DRAWING IS A CONTROLLED DOCUMENT.

DIMENSIONS: 单位: 耗 mm	TOLERANCES UNLESS OTHERWISE SPECIFIED: 一般公差
	0 PLC ± -
	1 PLC ± -
	2 PLC ± -
	3 PLC ± -
	4 PLC ± -
ANGLES	± -

MATERIAL 材料

FINISH 仕上

DWN	D.MATSUURA	06AUG2014
CHK	S.IWATANI	06AUG2014
APVD	T.KOHNO	06AUG2014
PRODUCT SPEC	製品規格	
APPLICATION SPEC	取付適用規格	
WEIGHT	-	

		TE Connectivity	
		2Pos. ECONOSEAL J-MARKII+ CONNECTOR PLUG HOUSING	
SIZE	CAGE CODE	DRAWING NO	RESTRICTED TO
A3	00779	C-2822348	-

CUSTOMER DRAWING

SCALE 4:1

SHEET 2 OF 2

REV A