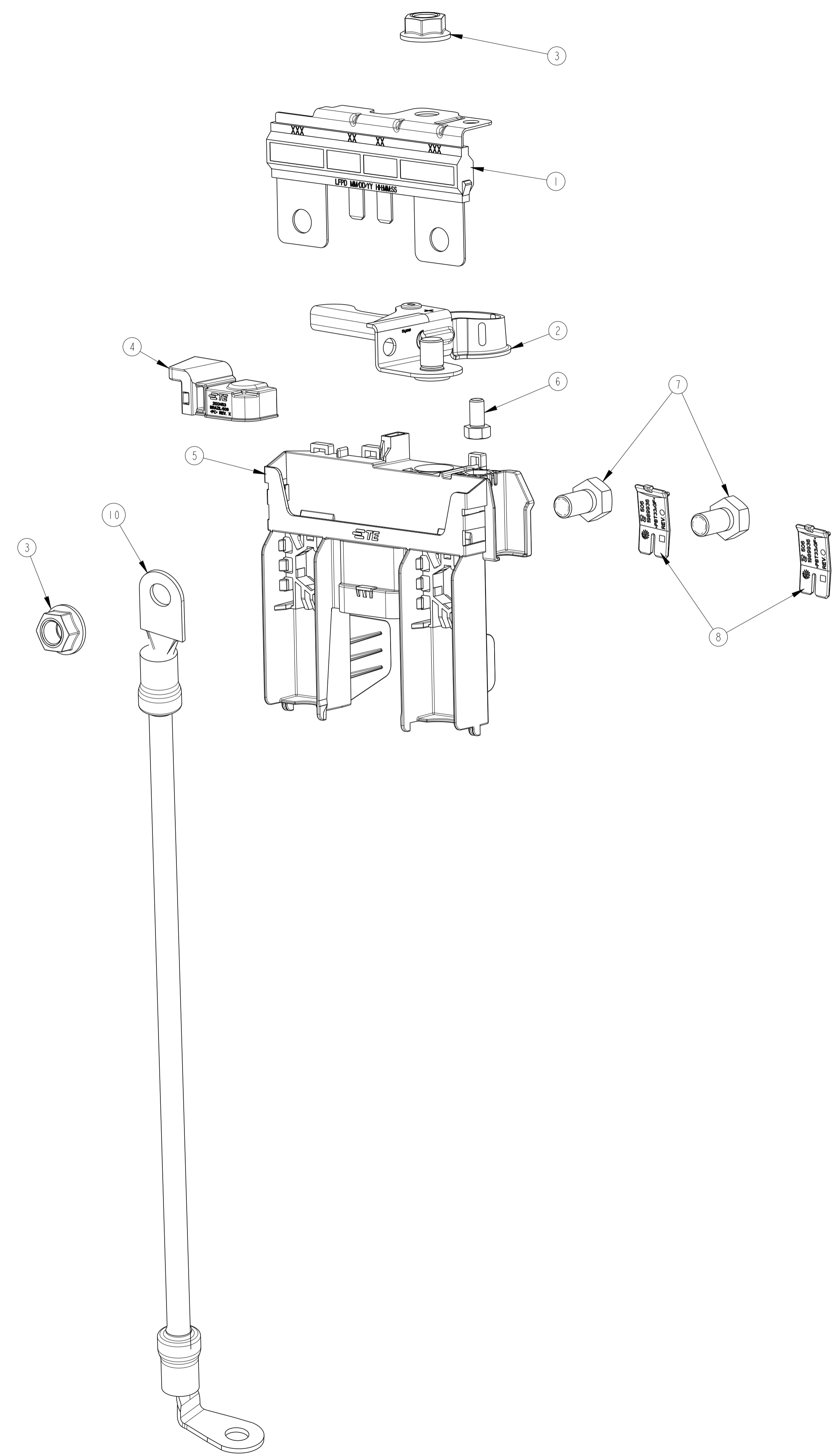
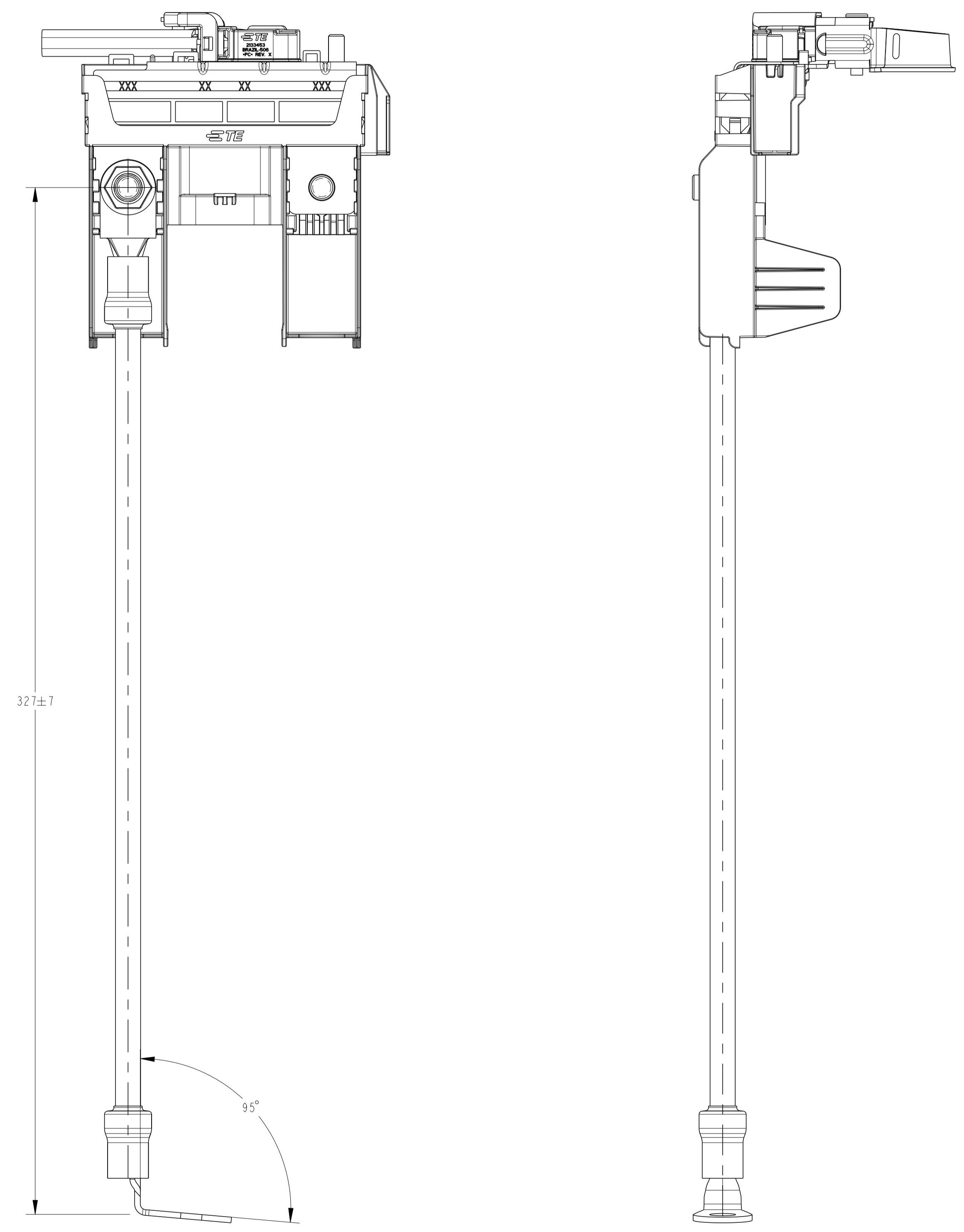




REVISIONS				
P.	LTN	DESCRIPTION	DATE	APVD
-	-	SEE SHEET 1	-	-



PEÇA MOSTRADA: 1-2819050-1  
 SHOWN PART:



THIS DRAWING IS A CONTROLLED DOCUMENT.		OWN P. PULGROSSI 28FEB2014	TE Connectivity
DIMENSIONS:		CHK J. R. GOLDSCHMIDT 28FEB2014	
mm		APVD N. M. SANTOS 28FEB2014	
TOLERANCES UNLESS OTHERWISE SPECIFIED 0 PLC ± 1 PLC ± 2 PLC ± 3 PLC ± 4 PLC ± ANGLES ± FINISH ±		NAME BFT 5 POS ASSY	
MATERIAL VER TABELA SEE TABLE	PRODUCT SPEC	SIZE A1	RESTRICTED TO
	APPLICATION SPEC	CAGE CODE -	DRAWING NO. C=2819050
	WEIGHT	SCALE 1:2	SHEET 2 OF 2
	CUSTOMER DRAWING		REV C2