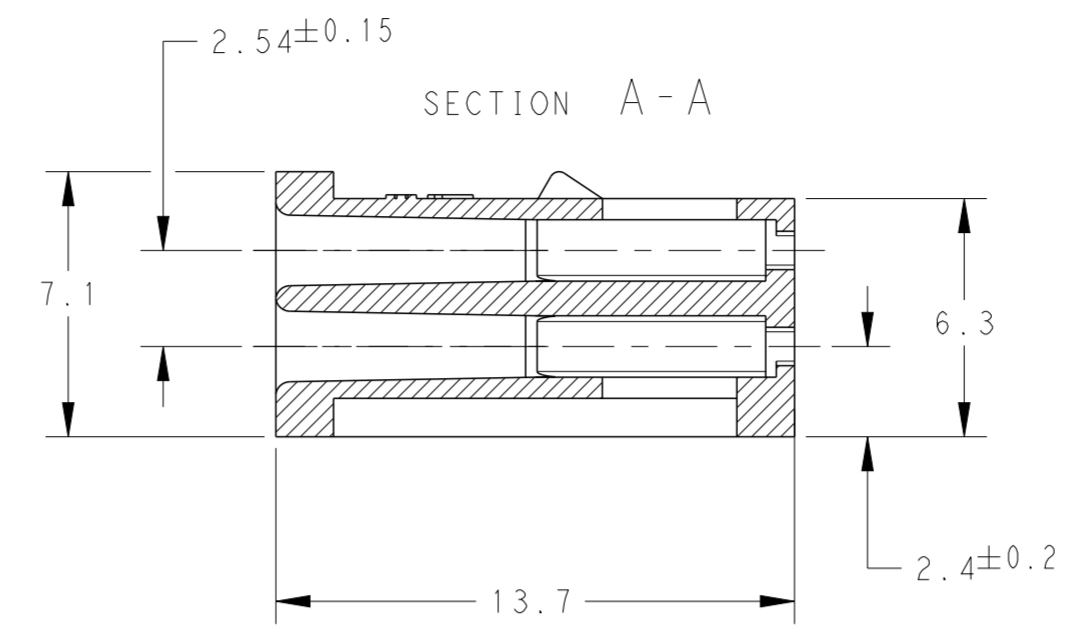
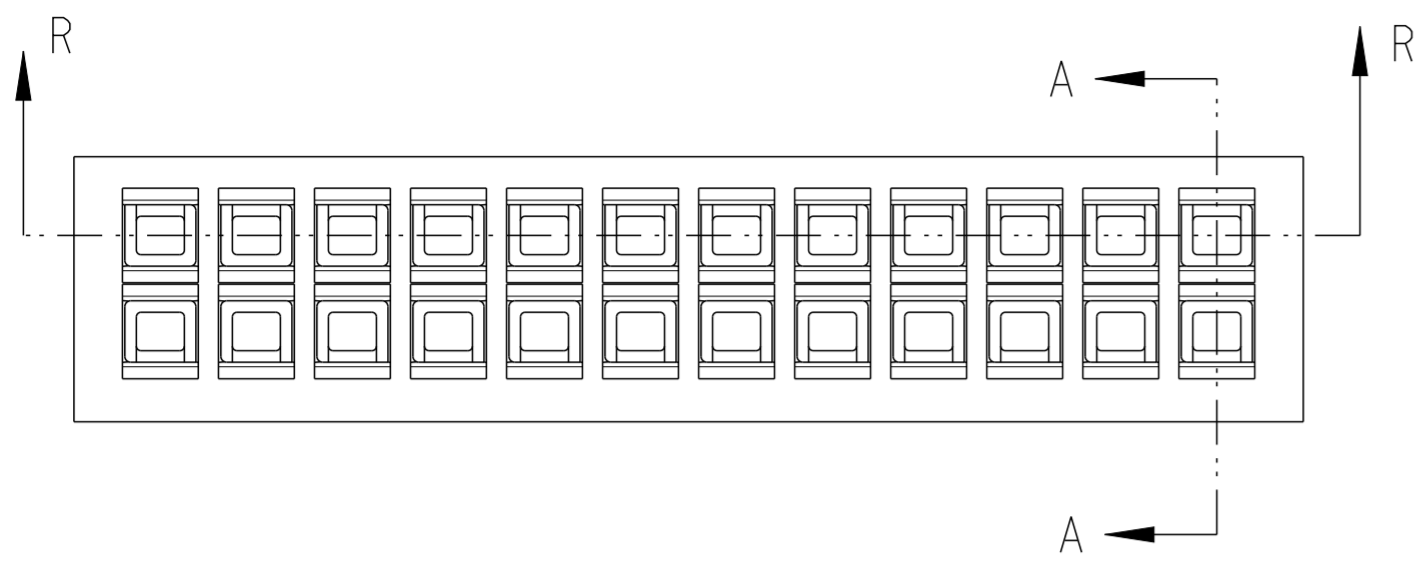
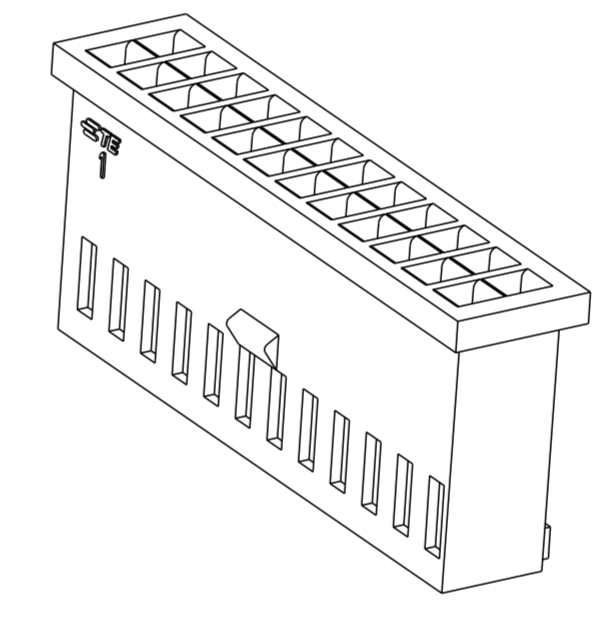
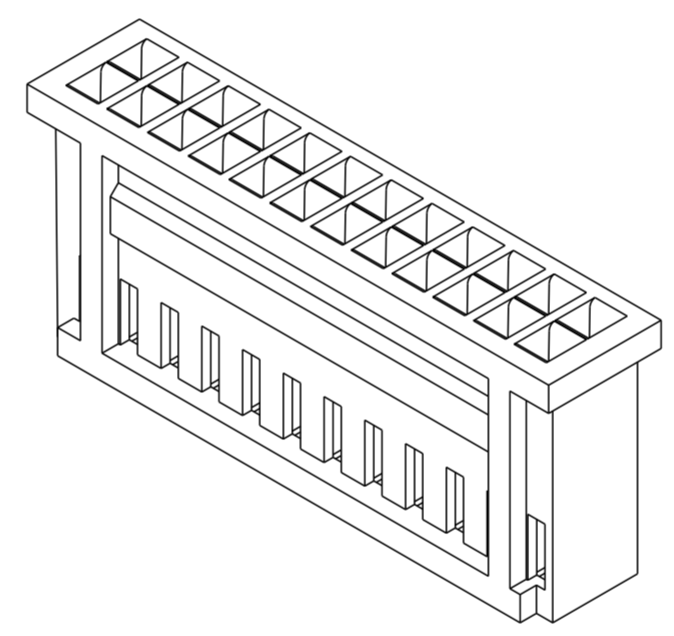
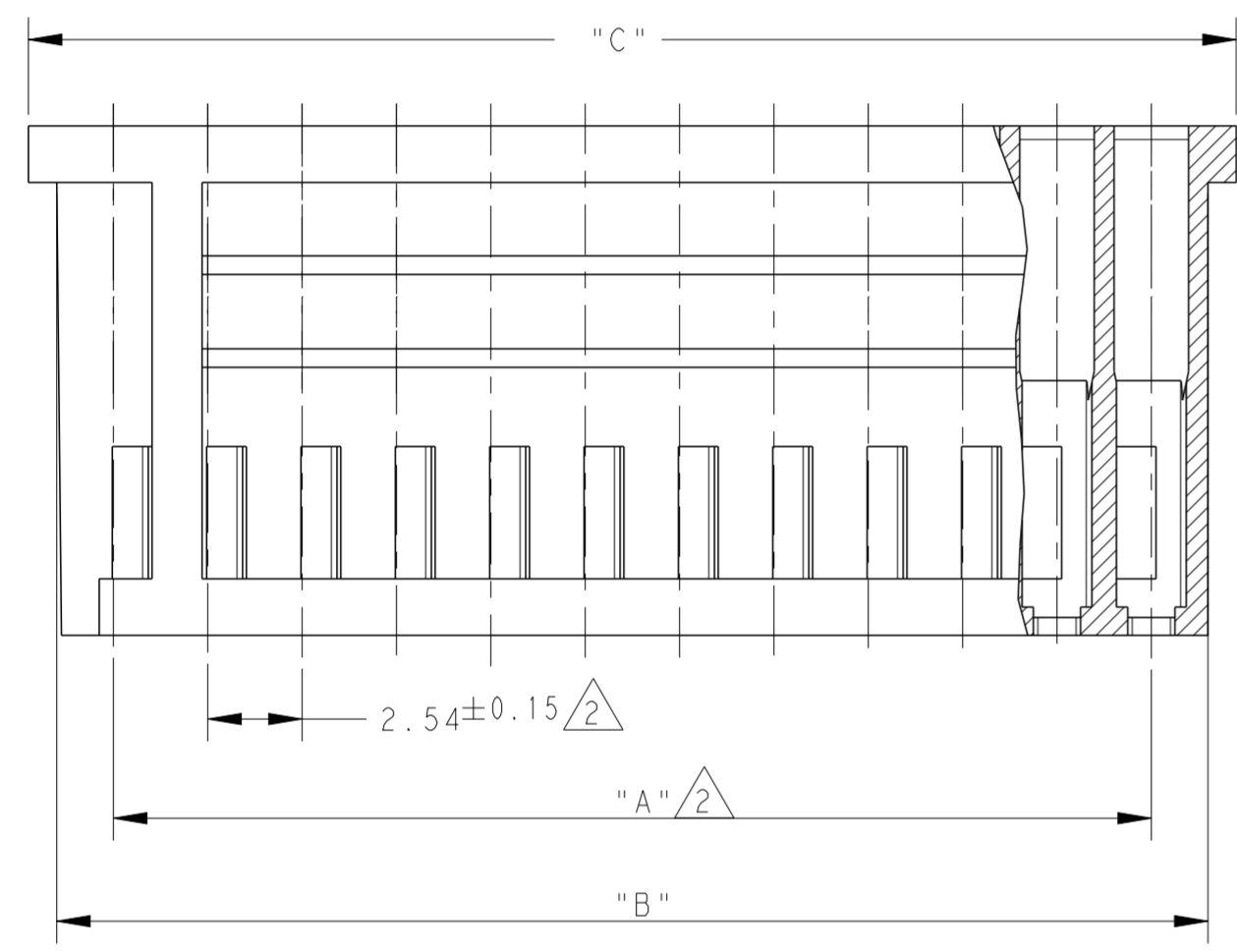


THIS DRAWING IS UNPUBLISHED. RELEASED FOR PUBLICATION
 © COPYRIGHT copyright.d8te- ALL RIGHTS RESERVED.

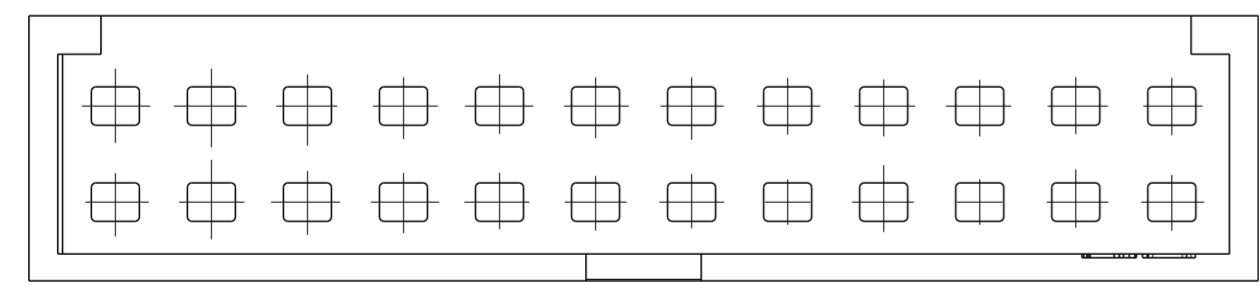
REVISIONS				
P	LTR	DESCRIPTION	DATE	APVD
AA		MATERIAL CHANGE TO LCP. NEW HORIZONTAL RIB FEATURE ADDED	17OCT2018	KJK PS



SECTION R-R



- NOTES:
- 1 LCP, BLACK, UL94V-0
 - 2 TOLERANCE NOT CUMULATIVE



NUM OF POS	PART NUMBER	DIM "A"	DIM "B"	DIM "C"	MATERIAL
22	280369	53.34	56.40	57.90	1
18	281018	43.18	46.20	47.80	
15	280368	35.56	38.60	40.10	
12	280515	27.94	31.00	32.50	
9	280513	20.32	23.30	24.90	
8	280366	17.78	20.80	22.30	
6	282792-1	12.70	15.70	17.20	
5	284123-1	10.16	13.20	14.70	
4	280365	7.62	10.60	12.20	

THIS DRAWING IS A CONTROLLED DOCUMENT.

DIMENSIONS:	TOLERANCES UNLESS OTHERWISE SPECIFIED:	DWN	17OCT2018	 TE Connectivity
mm	0 PLC ±0.3	CHK	17OCT2018	
	1 PLC ±	APVD	17OCT2018	
	2 PLC ±	PRASHANTH S	PRASHANTH S	
MATERIAL	3 PLC ±	PRODUCT SPEC	108-20025	NAME
-	4 PLC ±	APPLICATION SPEC	114-20004	AMPMODU MOD.11
-	ANGLES ±2°	WEIGHT	-	DOUBLE ROW, REC. CONTACT HOUSING
-	FINISH	CUSTOMER DRAWING	SCALE 5:1	CRIMP SNAP-IN
		SIZE	A2	RESTRICTED TO
		CAGE CODE	00779	-
		DRAWING NO	G-280365	REV
		SCALE	5:1	AA
		SHEET	1 OF 1	