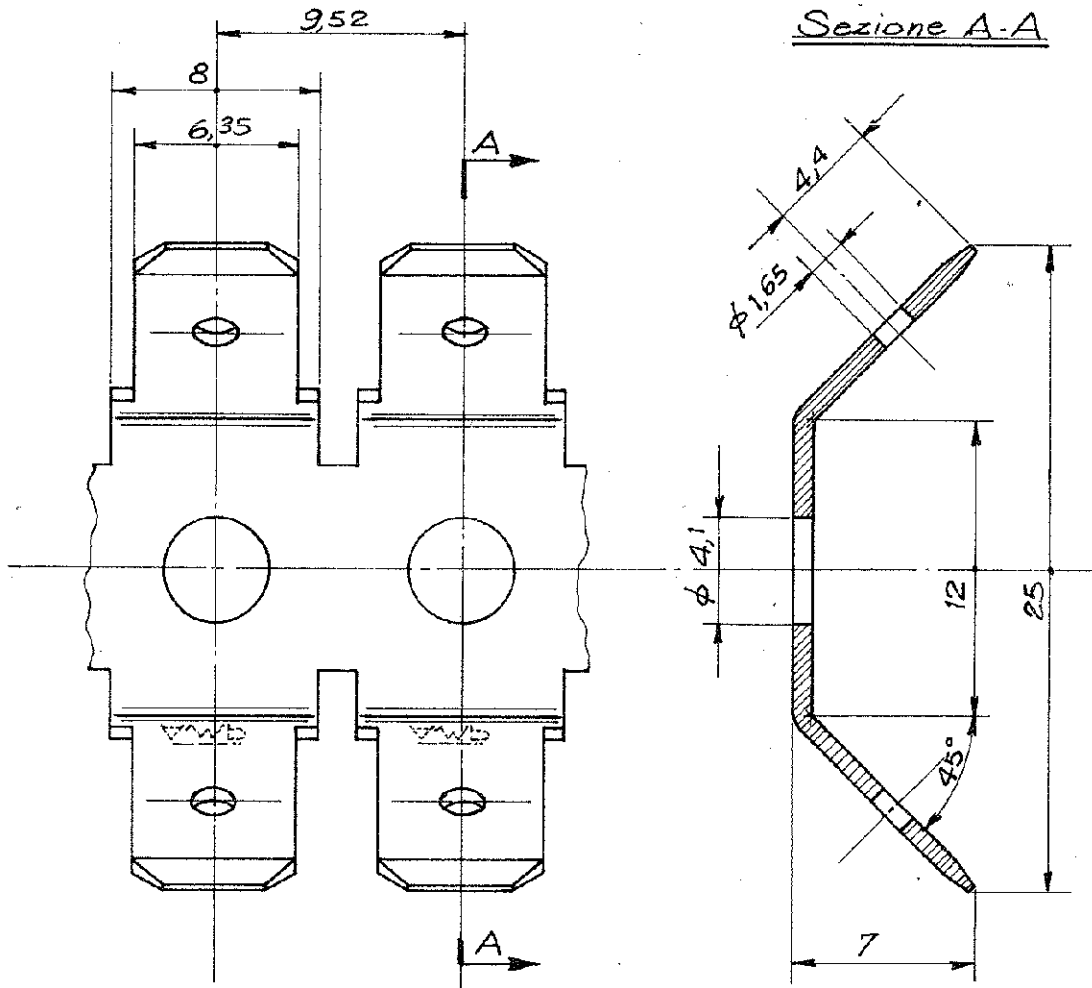




NUMBER 280275



NOTE:

1 OBSOLETE

DIMENSIONS IN 77177 DO NOT SCALE PRINT

				© 1975 BY TE INCORPORATED. ALL RIGHTS RESERVED. TE PRODUCTS COVERED BY PATENTS AND OR PATENTS PENDING.				CUSTOMER COPY REFERENCE ONLY											
				MATERIAL AND FINISH				 TE Connectivity											
B1 ECR-10-022530				KK HMR		14FEB11		CLASS											
B Rivisto				EB.		Jan. 14-88		 OTTONE ARGENTO/3											
A Aggiunta versione AG				la		20-10-88		TYPE											
LTR REVISION RECORD				DR		CHK		DATE		TOLERANCE EXCEPT AS NOTED		SCALE		LOC		NO		REV	
DR <i>Diagnoside</i> 14 MAR.75				DE				± 0.4 ± 1°		4:1		I A		280275		B1			
CHK <i>Soffe</i> 14/3/75				APP				NAME		FASTON TAB 250 SERIES BENT 45°									

PRINT DIST