

THIS DRAWING IS UNPUBLISHED.

RELEASED FOR PUBLICATION

,19

© COPYRIGHT 19

BY AMP INCORPORATED.

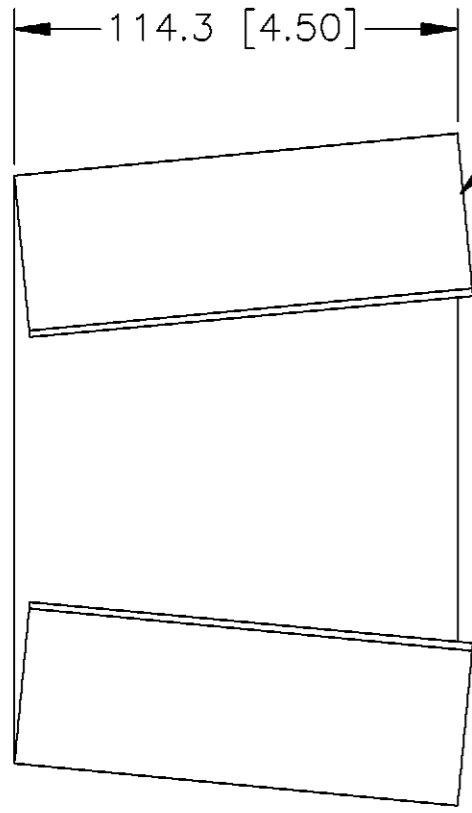
ALL RIGHTS RESERVED.

LOC
BG

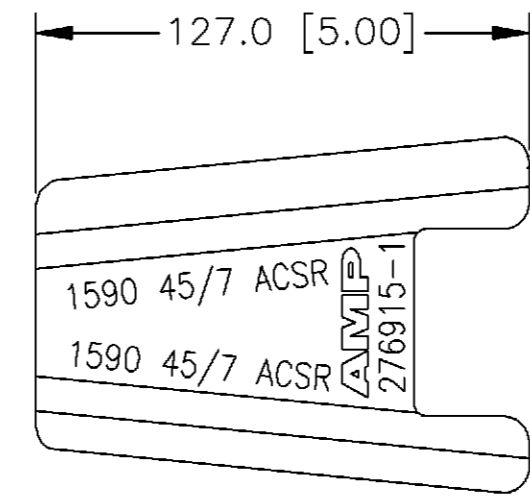
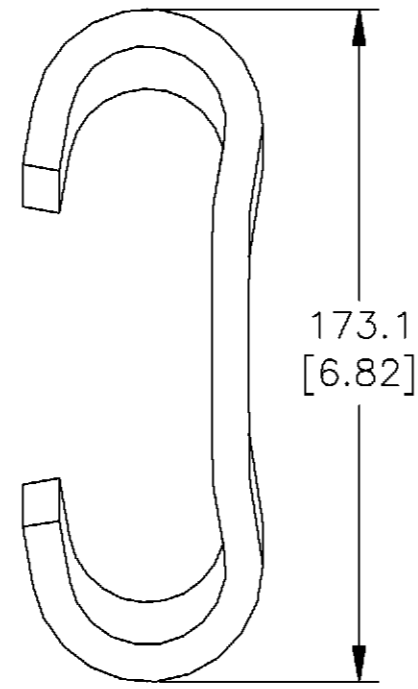
DIST
1

REVISIONS

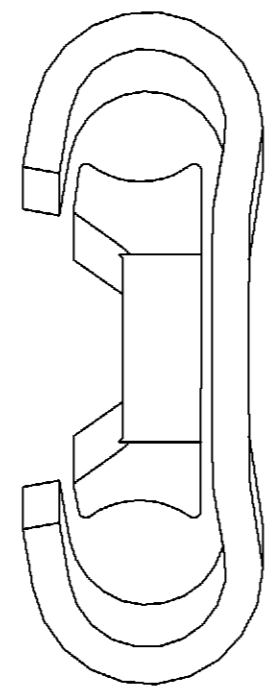
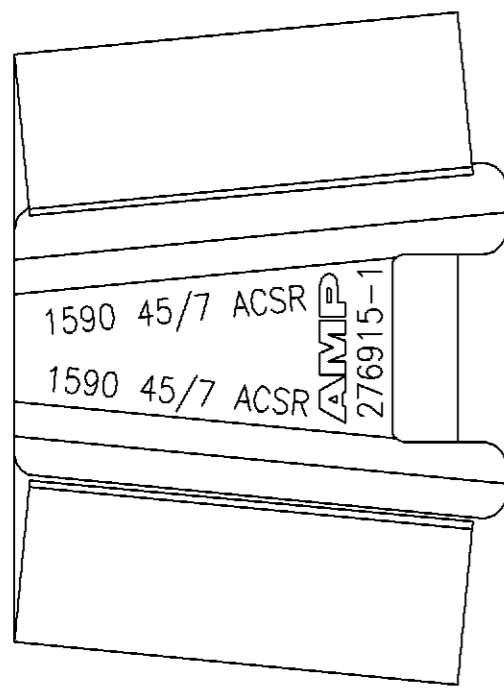
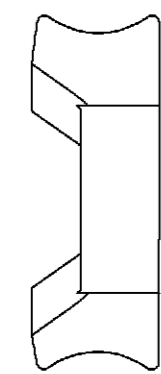
P	LTR	DESCRIPTION	DATE	DWN	APVD
A		REVISED, REDRAWN PER EC LC00-0096-98	18JUN98	MC	JH



C BODY



WEDGE



1. DIMENSIONS ARE FOR REFERENCE ONLY
2. INHIBITOR IS APPLIED AT FACTORY TO GROOVES OF WEDGE AND C BODY
3. USE YELLOW CARTRIDGE PART #69338-4

ALUM. ALLOY	ALUM. ALLOY	276915-1
WEDGE QTY: 1	'C' BODY QTY: 1	PART NO.

THIS DRAWING IS A CONTROLLED DOCUMENT FOR AMP INCORPORATED. IT IS SUBJECT TO CHANGE AND THE CONTROLLING ENGINEERING ORGANIZATION SHOULD BE CONTACTED FOR THE LATEST REVISION.		DRAWN BY: M CHOW 18JUN98	AMP AMP of Canada Ltd Markham, Ontario	
DIMENSIONS: mm [INCHES]		CHECKED BY: H HENRY 18JUN98	NAME	
TOLERANCES UNLESS OTHERWISE SPECIFIED:		APPROVED BY: B JOHNSON 18JUN98	CONNECTOR, 1590KCM TO 1590KCM 1590 SERIES, YELLOW CODED, AMPACT	
0 PLC ±-		PRODUCT SPEC	SIZE	RESTRICTED TO
1 PLC ±-		APPLICATION SPEC	A3	—
2 PLC ±-		—	CAGE CODE	—
3 PLC ±-		—	00779	—
4 PLC ±-		—	DRAWING NO	—
ANGLES ±-		—	©= 276915	—
MATERIAL	FINISH	WEIGHT	SCALE 2:1 SHEET 1 OF 1 REV A	
—	—	—	CUSTOMER DRAWING	