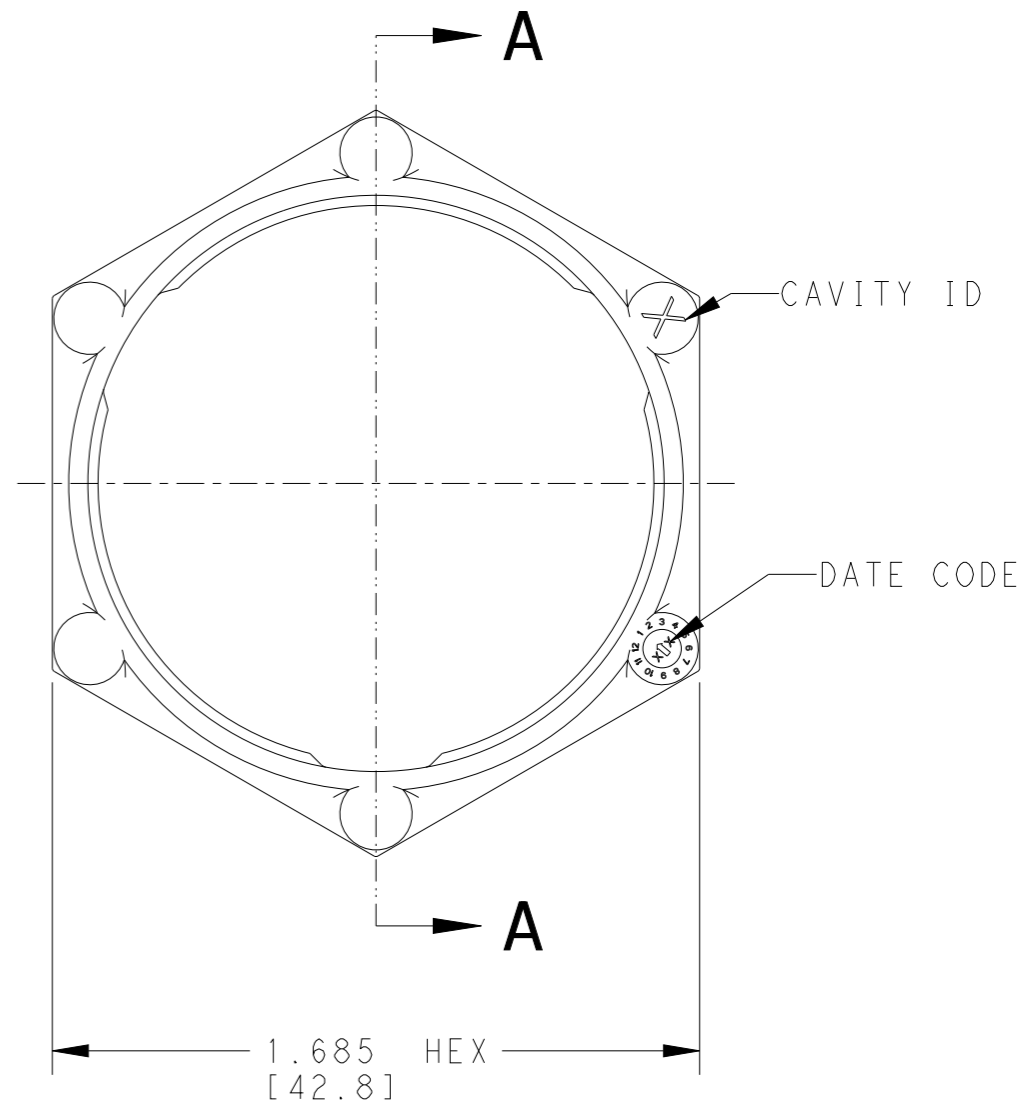
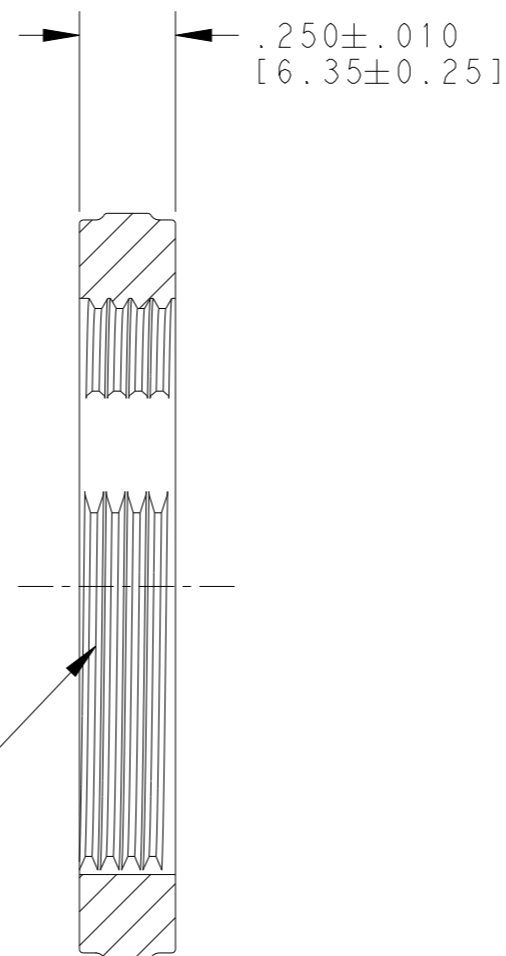
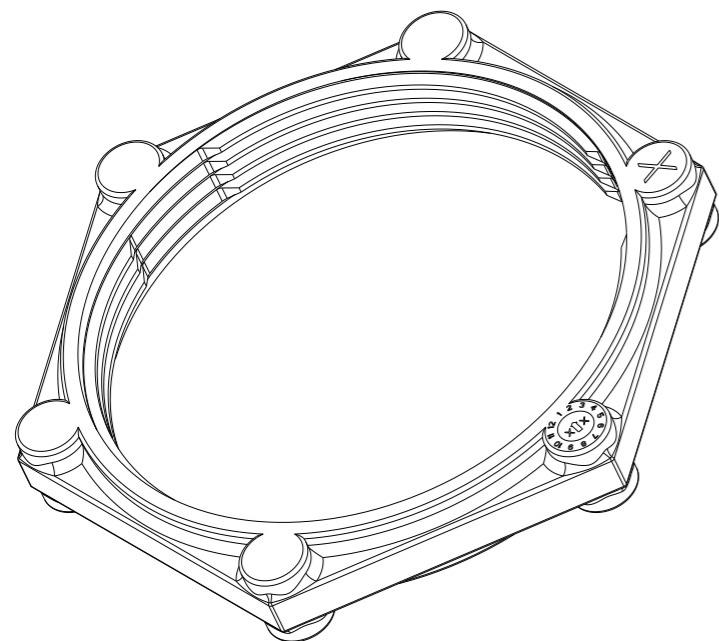


LOC	DIST	REVISIONS			
P	LTR	DESCRIPTION	DATE	DWN	APVD
	NC	NEW RELEASE PER E.O. P16488	2-4-00	SB	RDR
	A	REVISED PER ECO-14-011896	8-4-14	JA	DM
	B	REVISED PER PCN-22-149566 PCN-23-163151	8/1/24	HD	CB




**SECTION A-A**

3. TO BE USED ON HDP SERIES SIZE 18.

2 MATERIAL: PPS 40% GF, BLACK  
 ALTERNATE: PEI 30% GF, BLACK.

1. FOR APPLICATION CHARACTERISTICS  
 SEE DRAWING 0425-021-0000.

NOTES:

THIS DRAWING IS A CONTROLLED DOCUMENT.		DWN 12 JUN 2014 JAIME C. APOSTOL	 TE Connectivity		
DIMENSIONS: INCHES [mm]		CHK 04 AUG 2014 ILINA GRANICHAROVA			
TOLERANCES UNLESS OTHERWISE SPECIFIED:		APVD 04 AUG 2014 DAVID MEYER	NAME PLASTIC PANEL NUT FOR RECEPTACLES SIZE 18 HDP SERIES		
0 PLC ± 1 PLC ± 2 PLC ± 3 PLC ±.025 [.64] 4 PLC ± ANGLES ±0°30'0"		PRODUCT SPEC	RESTRICTED TO		
MATERIAL 2		APPLICATION SPEC	SIZE A3	CAGE CODE 4AFU8	DRAWING NO. 2411-002-1805
FINISH		WEIGHT 3.80g	SCALE 2:1		SHEET 1 OF 1
		Customer Drawing	REV B		