

THIS DRAWING IS UNPUBLISHED.

RELEASED FOR PUBLICATION

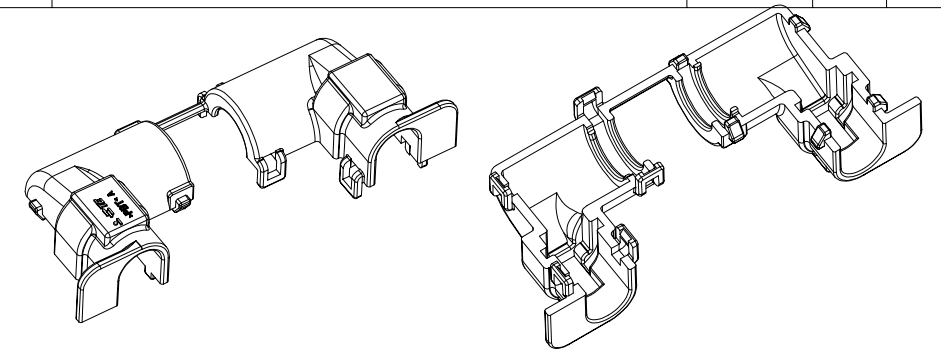
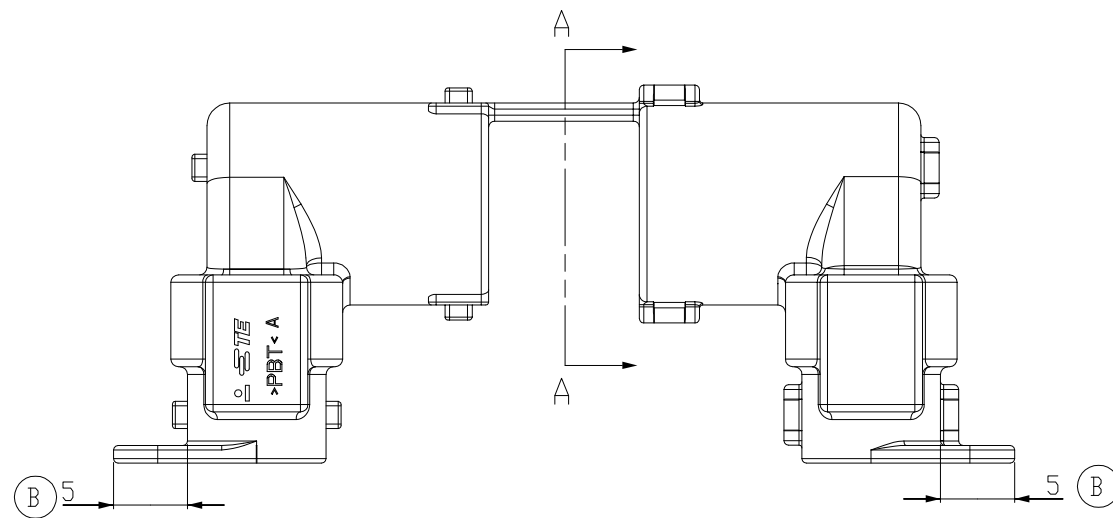
20

© COPYRIGHT 20 BY -

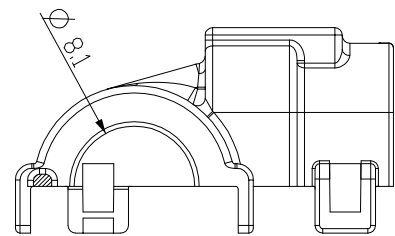
ALL RIGHTS RESERVED.

REVISIONS

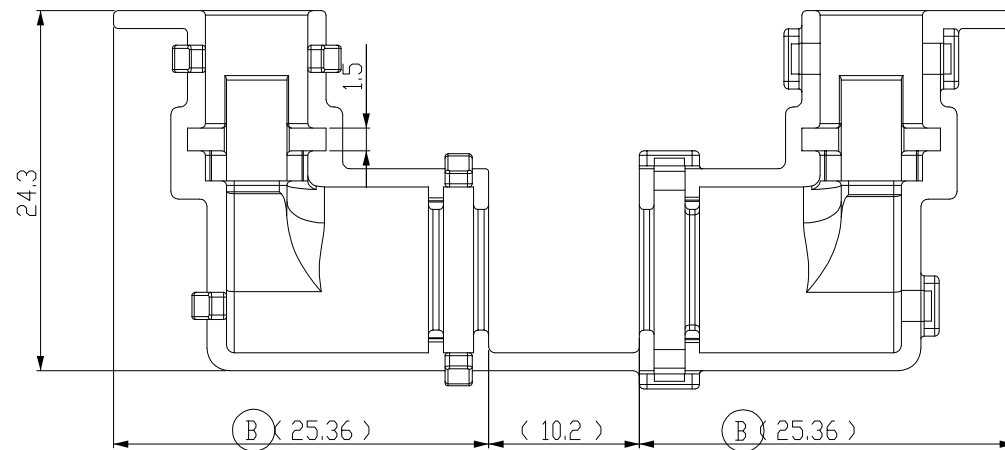
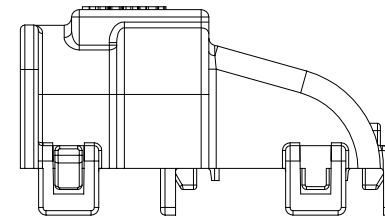
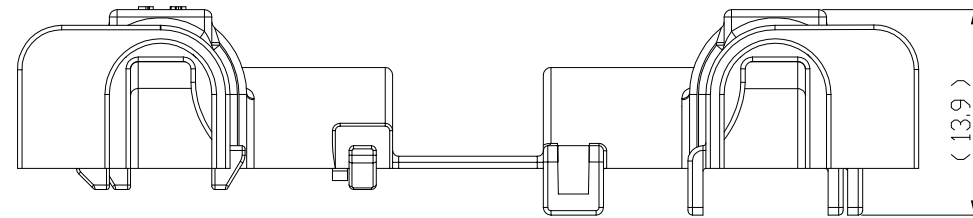
| P | LTR | DESCRIPTION            | DATE      | DWN | APVD |
|---|-----|------------------------|-----------|-----|------|
|   | A   | RELEASED               | 07.JAN'16 | SH  | HG   |
|   | B   | REVISED<ECR-16-007245> | 23.JUN'16 | SH  | KT   |
|   |     |                        |           |     |      |



3D VIEW  
SCALE 1:1



SECTION A-A



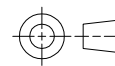
NOTE

- 1. GENERAL TOLERANCE: ±0.3, ±3°
- 2. MATING PLUG P/N: X-936060-X,X-936061-X,X-2005390-X
- 3. APPLICABLE CORRUGATE TUBE: Ø7mm

|       |          |               |           |
|-------|----------|---------------|-----------|
| BLACK | PBT      | 3P PLUG COVER | 2297696-2 |
| COLOR | MATERIAL | DESCRIPTION   | P/N       |

THIS DRAWING IS A CONTROLLED DOCUMENT.

DIMENSIONS:  
mm



TOLERANCES UNLESS OTHERWISE SPECIFIED:

|        |    |
|--------|----|
| 0 PLC  | ±- |
| 1 PLC  | ±  |
| 2 PLC  | ±  |
| 3 PLC  | ±  |
| 4 PLC  | ±  |
| ANGLES | ±  |
| FINISH | -  |

MATERIAL SEE TABLE

DWN SH JANG

CHK KT JUNG

APVD KT LIM

PRODUCT SPEC

-

APPLICATION SPEC

-

WEIGHT

-

CUSTOMER DRAWING

NAME

COVER HSG FOR  
2.8MM SLD 3P PLUG ASS'Y

SIZE

CAGE CODE

DRAWING NO

RESTRICTED TO

A3

00779

©-2297696

-

CUSTOMER DRAWING

SCALE 2:1

SHEET 1 OF 1

REV B