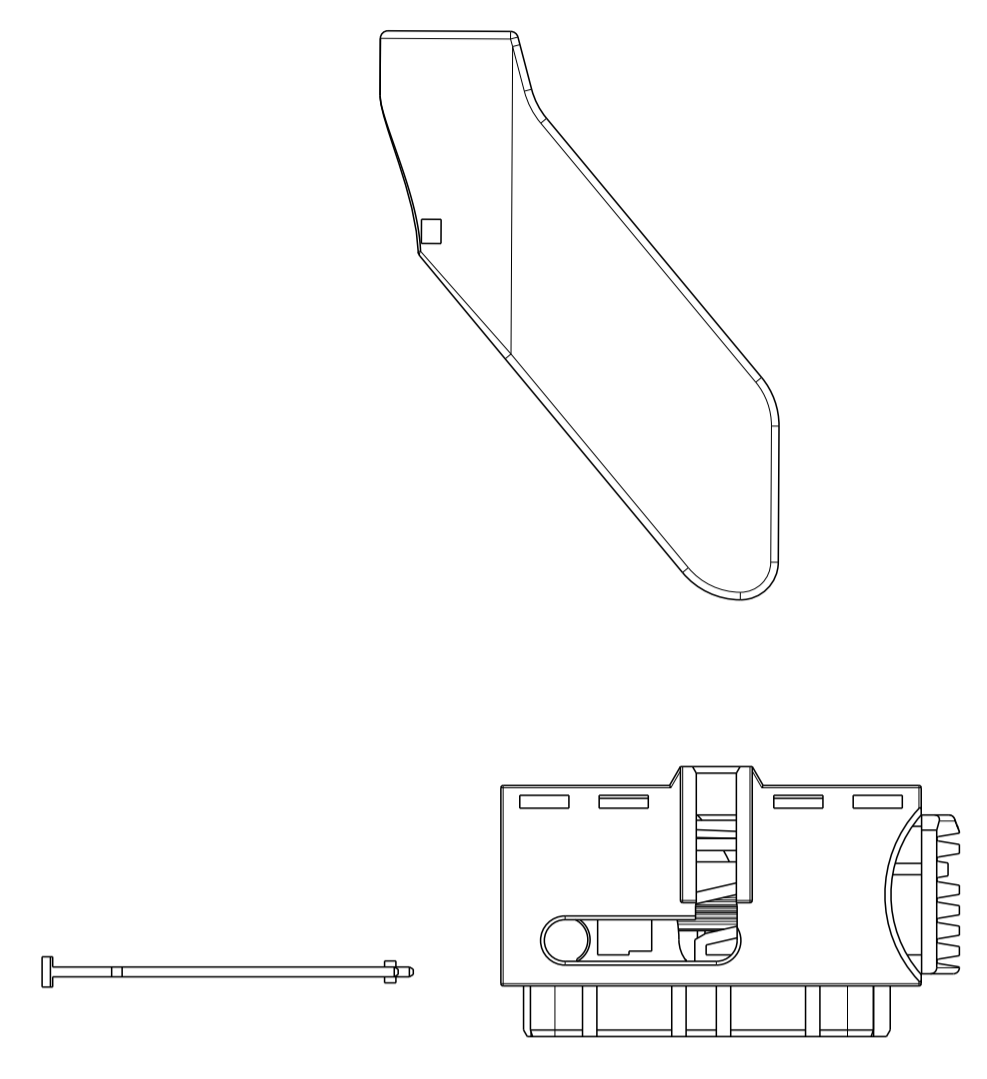
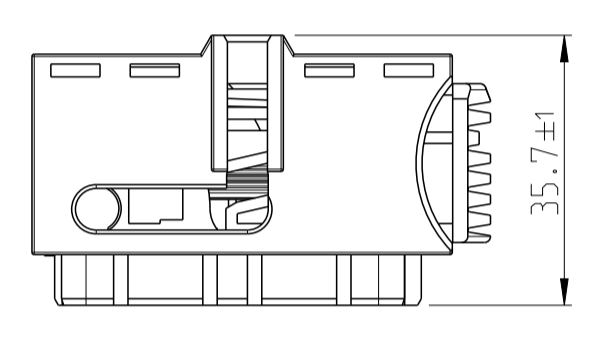
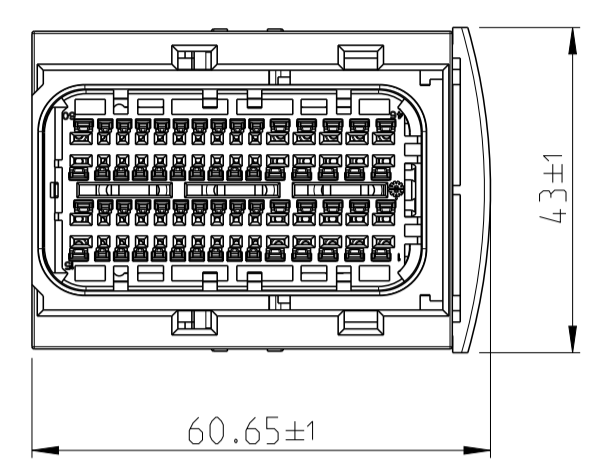


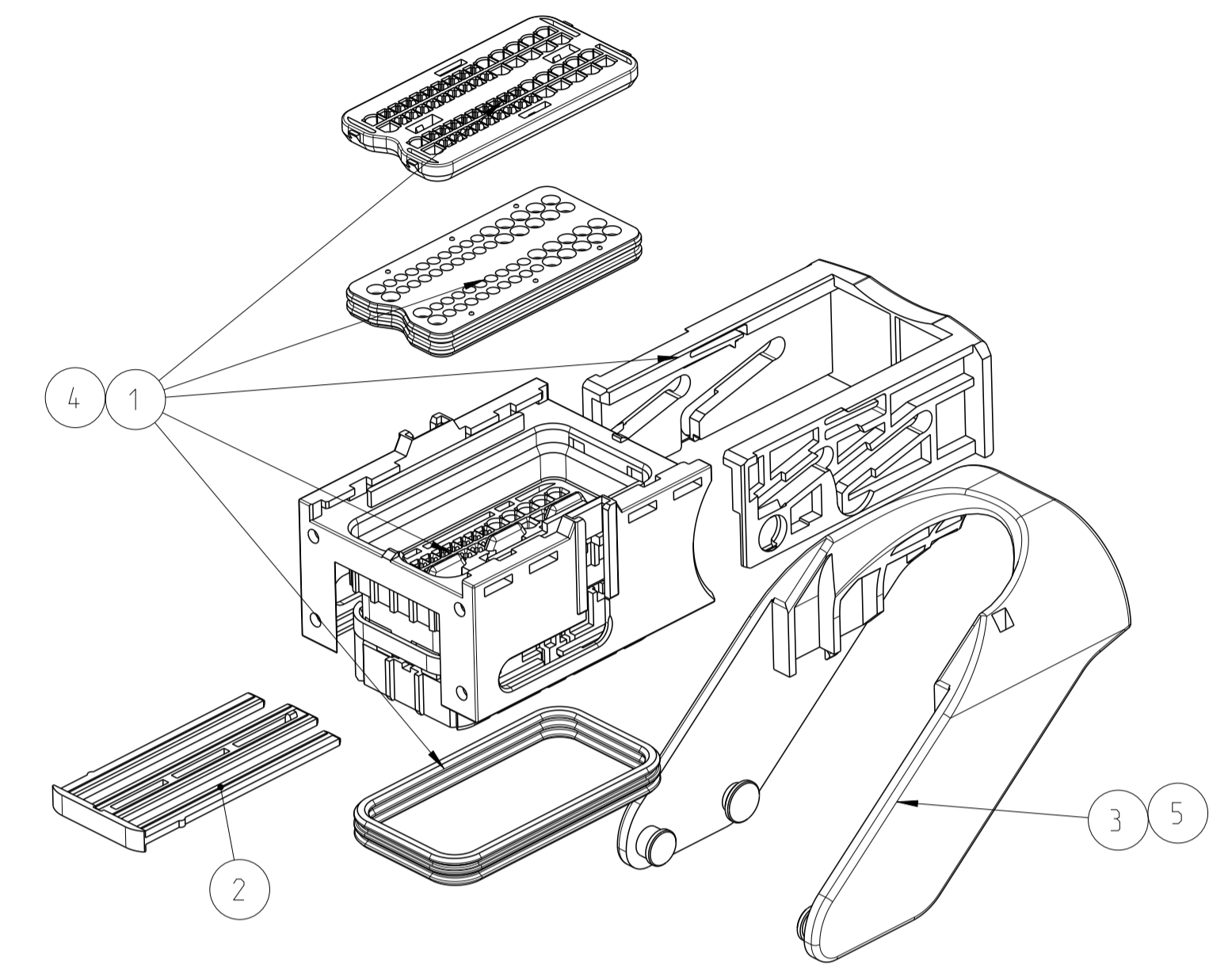
LOC		DIST		REVISIONS			
P	LTN	DESCRIPTION	DATE	DWN	APVD		
A1		INITIAL RELEASED	14-Apr-16	J.Z	S.W		
A2		ECR-16-009109	28-Jun-16	J.Z	S.W		
A3		ECR-19-004608	25MAR2019	S.C	I.Y		
A4		ECR-22-157025	01NOV 22	S.X	J.Z		

1 ASSY  
1/3-2209544-X

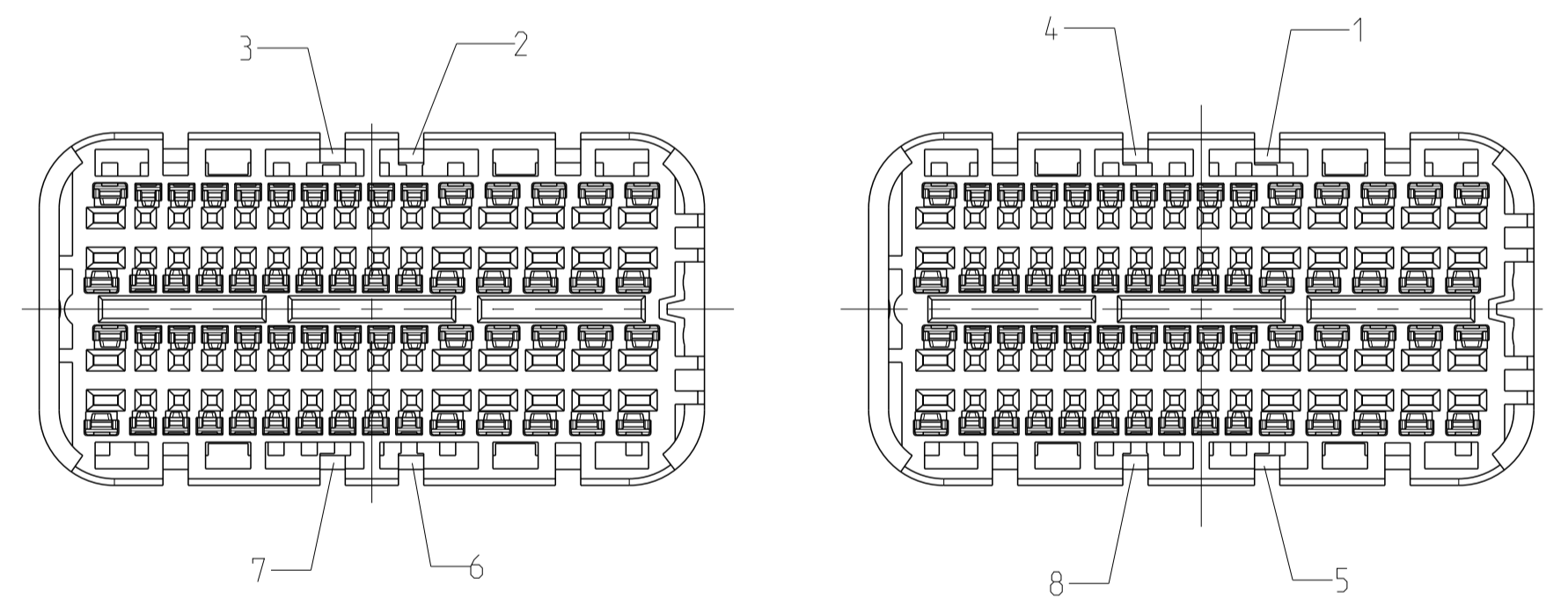
COLOUR: BLACK(MAIN)



X-2289227-1/6



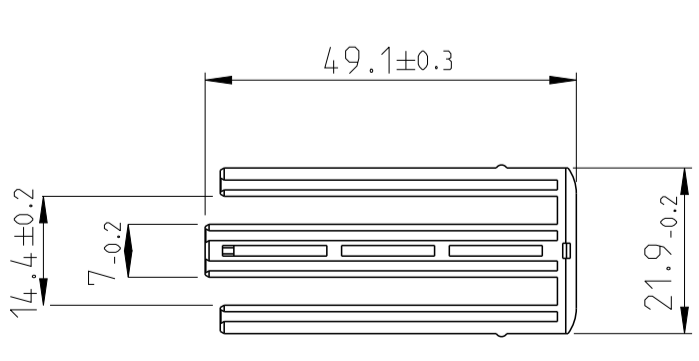
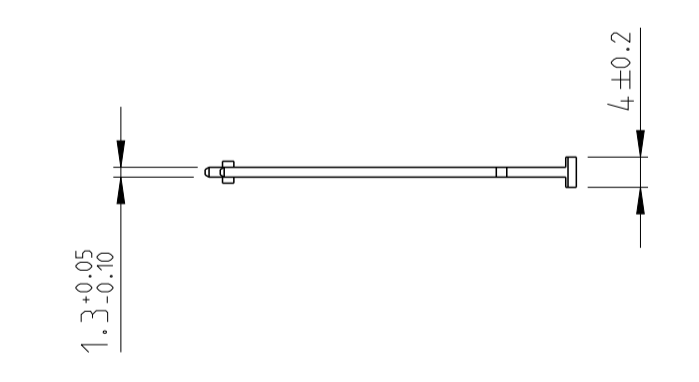
CODINGS



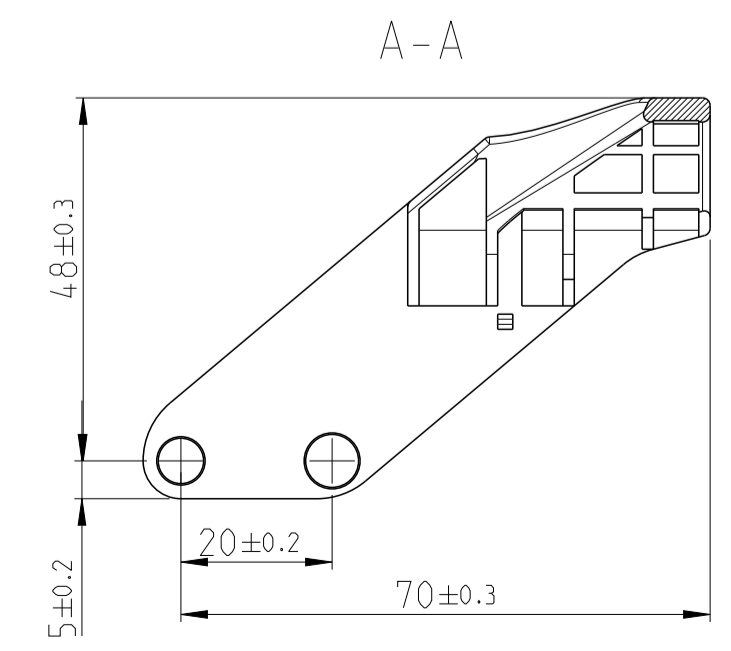
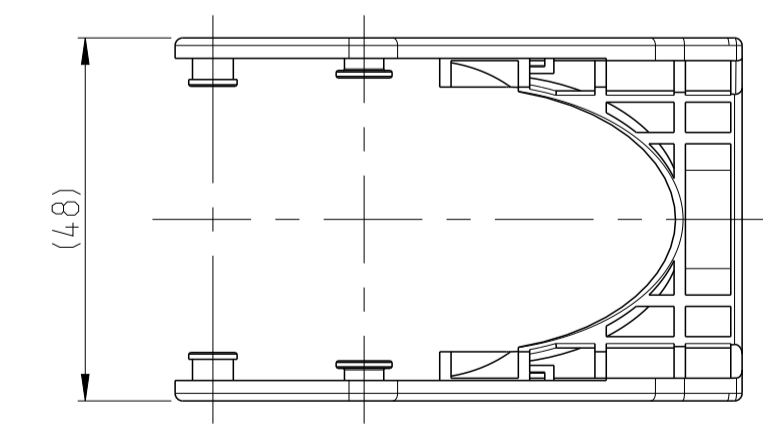
Notes

- 1 MATING PART EXECUTION ACC. TO 114-18304-001
- 2 SUITABLE CONTACTS: MQS :1534116, 1703282  
1,5mm CB :1241608  
SEALING PLUGS 1394871 (0.63), 1394872 (1.5)
- 3 FORM CONDITIONED DELAY OF 0.8 ADMISSIBLE
- 4 PARTS ARE PACKING IN MAIN BOX . BUT ITEM 1, 2, 3 ARE SEPARATELY.  
RETAINER AND LEVER SHOULD BE ASSEMBLED IN HARNESS MARKER
- 5 ITEM "X" MEANS THE VARIANT CODE. THE RELEASED CODE SEE TABLE
- 6 SUITABLE COVER P/N: 2137753-1, 2300725-1

2 RETAINER  
6-1355118-1  
OR 0-2437089-1  
MATERIAL: PBT-GF30  
COLOUR: VIOLET



3 LEVER FOR RECEPTACLE HOUSING  
2305001-1 MATERIAL: PA66-GF30  
2305001-6 MATERIAL: PA6-GF30  
COLOUR: BLACK



3-2289227-6	BLUE	X	X	X	X	X	X	X	X
9-2289227-6	WATER BLUE	X	X	X	X	X	X	X	X
9-2289227-1	WATER BLUE	X	X	X	X	X	X	X	X
8-2289227-1		X							X
3-2289227-1	BLUE	X	X	X	X	X	X	X	X
6-2289227-1		X	X	X	X	X	X	X	X
5-2289227-1		X	X	X	X	X	X	X	X
4-2289227-1		X	X	X	X	X	X	X	X
7-2289227-1	BLACK	X	X	X	X	X	X	X	X
2-2289227-1		X	X	X	X	X	X	X	X
1-2289227-1		X	X	X	X	X	X	X	X
ASSY PART NO	CAVITY BLOCK	1	2	3	4	5	6	7	8
	COLOR								

QTY.	QTY.	QTY.	QTY.	ORDER-NO.	DESCRIPTION	ITEM
1	1	1	1	2305001-6	LEVER	5
				2305001-1	LEVER	3
1	1	1	1	6-1355118-1/0-2437089-1	RETAINER. 60POSN.	2
		1		1-2209544-9	CARRIER HSG.ASSY.	4
			1	1-2209544-1	CARRIER HSG.ASSY.	1
				3-2209544-9	CARRIER HSG.ASSY.	4
	1			3-2209544-1	CARRIER HSG.ASSY.	1
					CODING	
					REF.-NO.	
					REV	

TOLERANCES UNLESS OTHERWISE SPECIFIED ACC. TO DIN 16901-140@CENTRIC TO NOMINAL DIMENSION. EDITION 1982-11 SHALL APPLY. FREIEMASSSTOLERANZEN NACH DIN 16901-140. Es gilt die Ausgabe 1982-11.

THIS DRAWING IS A CONTROLLED DOCUMENT.

DIMENSIONS: mm

TOLERANCES UNLESS OTHERWISE SPECIFIED: 0 PLC ±, 1 PLC ±, 2 PLC ±, 3 PLC ±, 4 PLC ±, 5 PLC ±, 6 PLC ±, 7 PLC ±, 8 PLC ±, 9 PLC ±, 10 PLC ±, 11 PLC ±, 12 PLC ±, 13 PLC ±, 14 PLC ±, 15 PLC ±, 16 PLC ±, 17 PLC ±, 18 PLC ±, 19 PLC ±, 20 PLC ±, 21 PLC ±, 22 PLC ±, 23 PLC ±, 24 PLC ±, 25 PLC ±, 26 PLC ±, 27 PLC ±, 28 PLC ±, 29 PLC ±, 30 PLC ±, 31 PLC ±, 32 PLC ±, 33 PLC ±, 34 PLC ±, 35 PLC ±, 36 PLC ±, 37 PLC ±, 38 PLC ±, 39 PLC ±, 40 PLC ±, 41 PLC ±, 42 PLC ±, 43 PLC ±, 44 PLC ±, 45 PLC ±, 46 PLC ±, 47 PLC ±, 48 PLC ±, 49 PLC ±, 50 PLC ±, 51 PLC ±, 52 PLC ±, 53 PLC ±, 54 PLC ±, 55 PLC ±, 56 PLC ±, 57 PLC ±, 58 PLC ±, 59 PLC ±, 60 PLC ±, 61 PLC ±, 62 PLC ±, 63 PLC ±, 64 PLC ±, 65 PLC ±, 66 PLC ±, 67 PLC ±, 68 PLC ±, 69 PLC ±, 70 PLC ±, 71 PLC ±, 72 PLC ±, 73 PLC ±, 74 PLC ±, 75 PLC ±, 76 PLC ±, 77 PLC ±, 78 PLC ±, 79 PLC ±, 80 PLC ±, 81 PLC ±, 82 PLC ±, 83 PLC ±, 84 PLC ±, 85 PLC ±, 86 PLC ±, 87 PLC ±, 88 PLC ±, 89 PLC ±, 90 PLC ±, 91 PLC ±, 92 PLC ±, 93 PLC ±, 94 PLC ±, 95 PLC ±, 96 PLC ±, 97 PLC ±, 98 PLC ±, 99 PLC ±, 100 PLC ±.

MATERIAL: SEE NOTES

Customer Drawing

SCALE 1:1 SHEET 1 OF 1 REV. A4

TE Connectivity

CONNECTOR HOUSING, 60 POSN.

MQS CB, KIT.

Customer Drawing