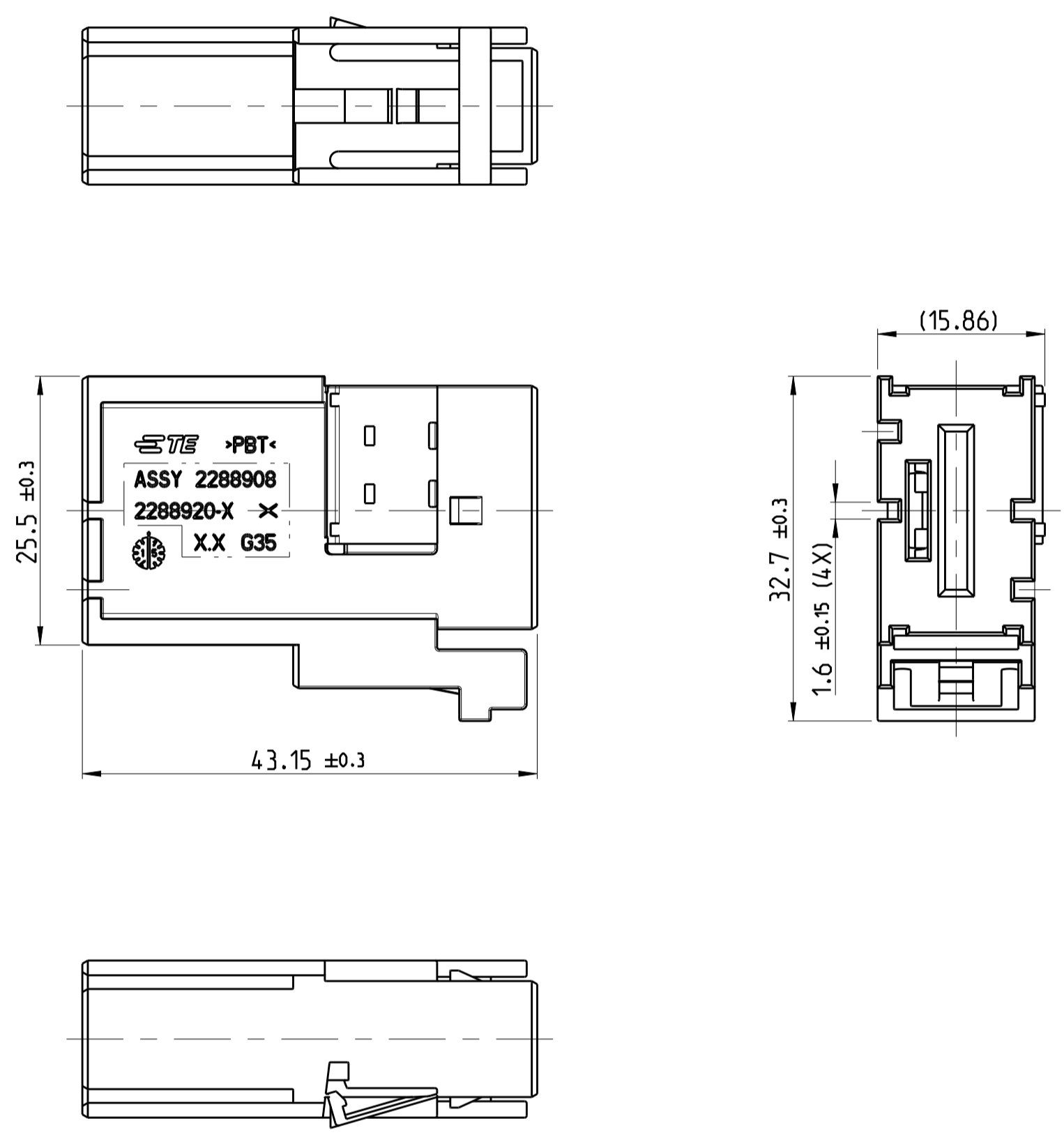
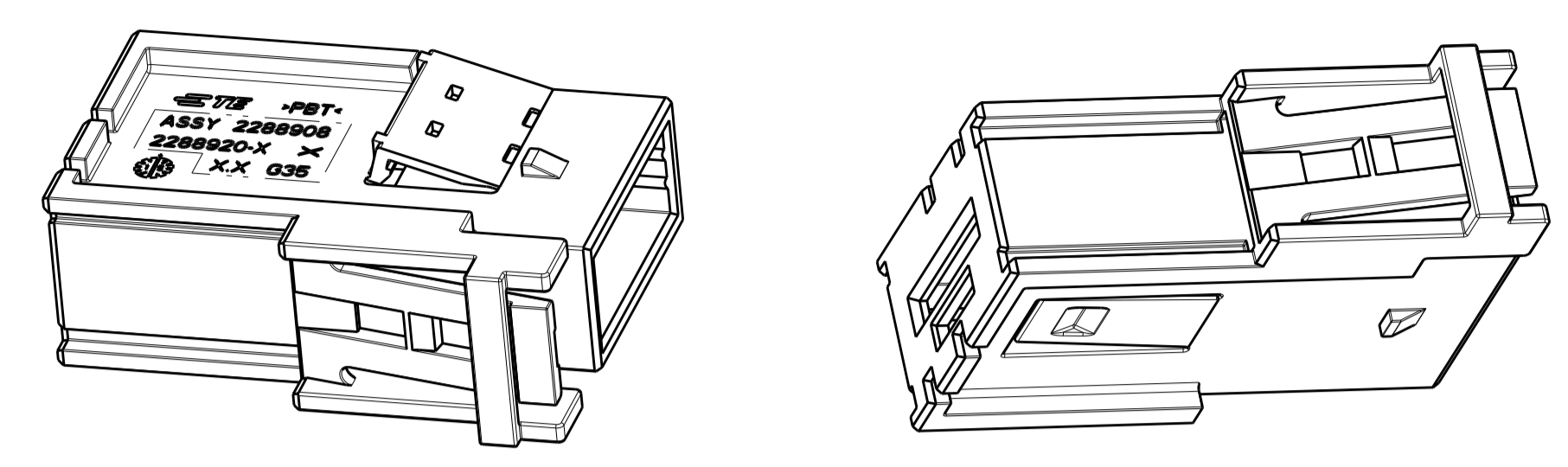
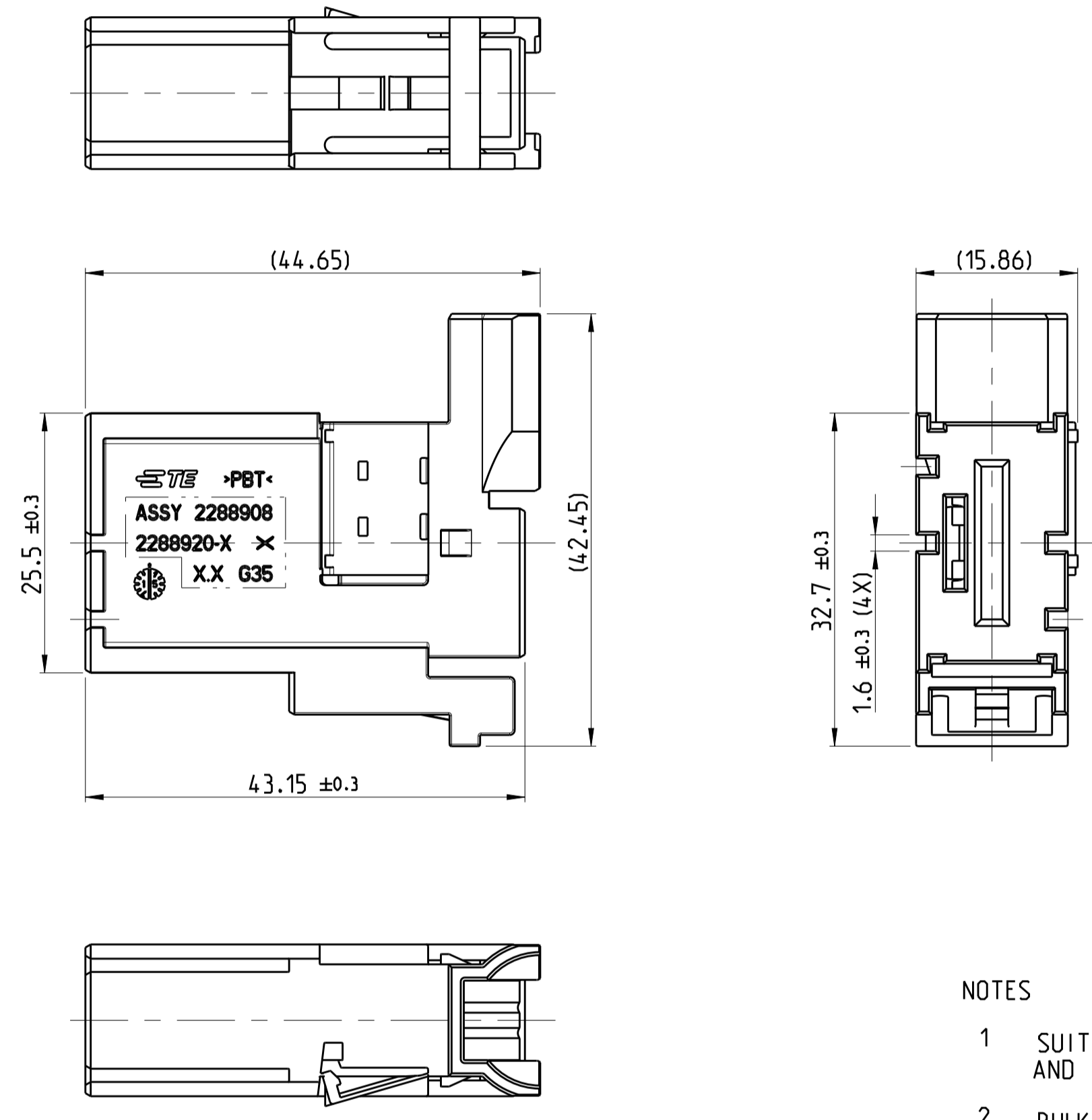
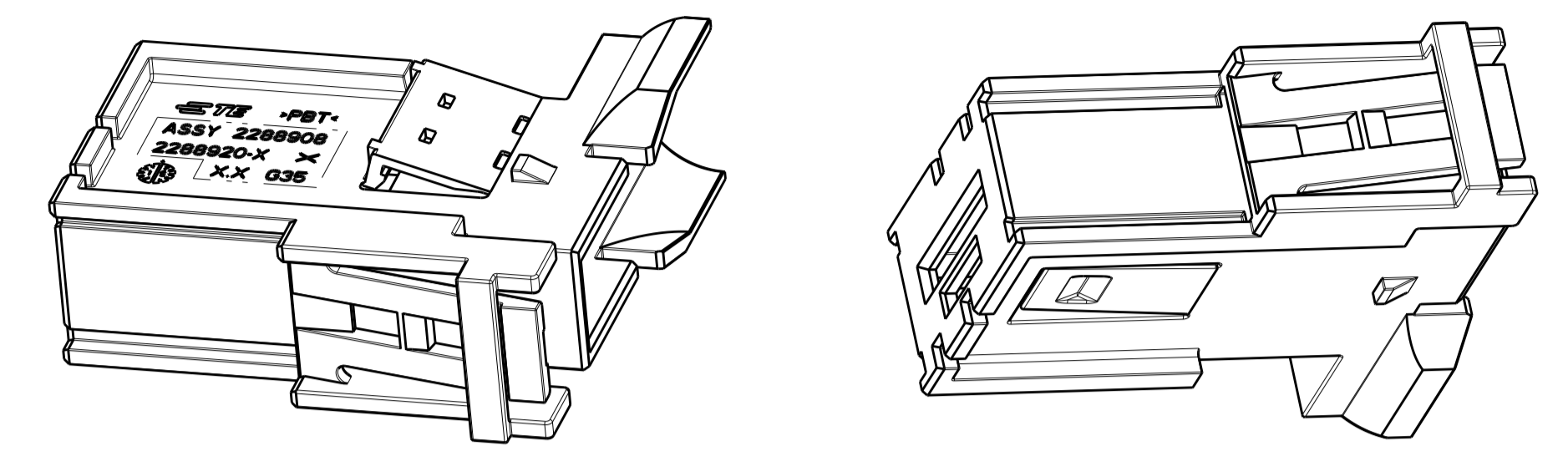


P/N: 2288920-1 (180 DEGREE) AS SHOWN



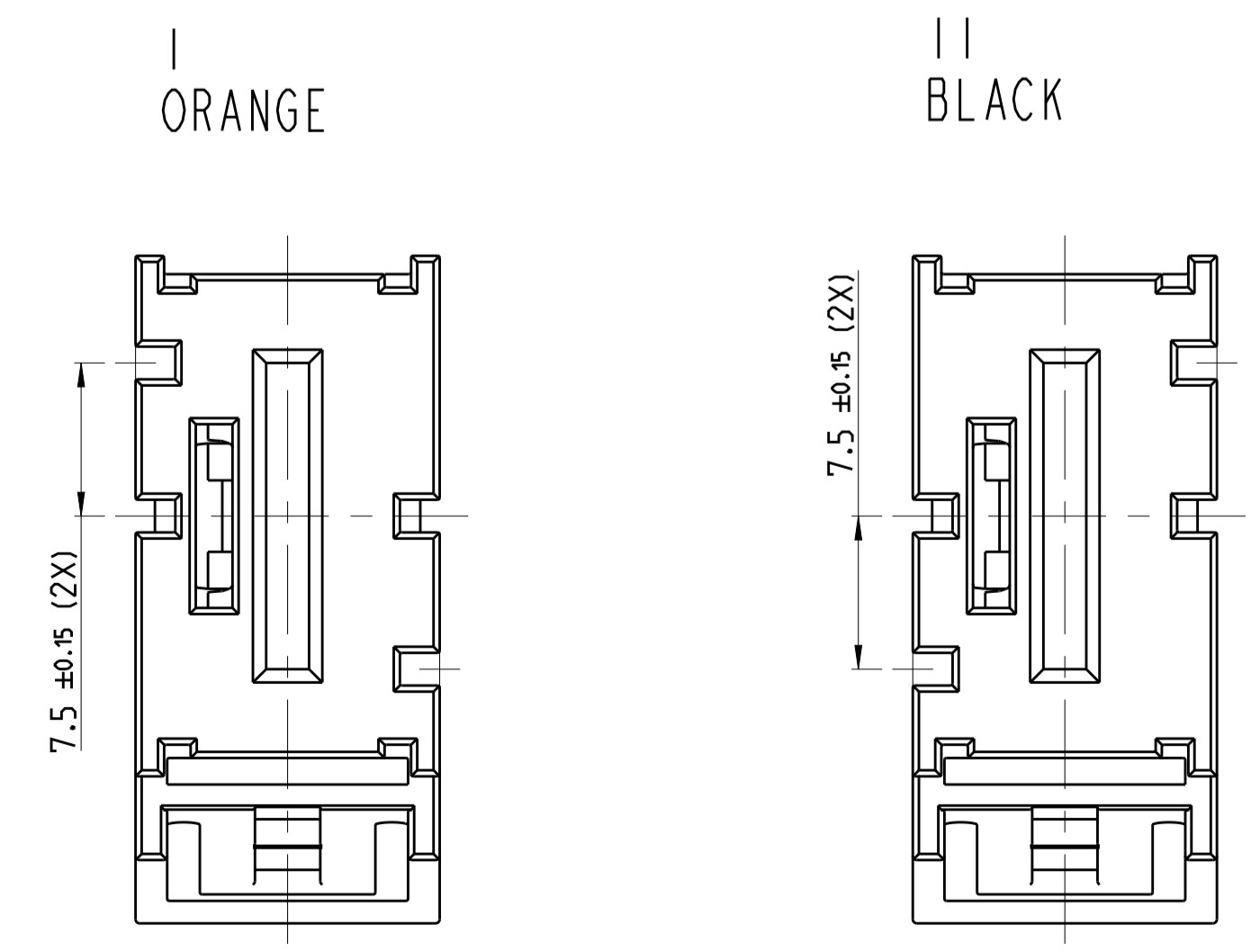
P/N: 2288920-2 (90 DEGREE) AS SHOWN



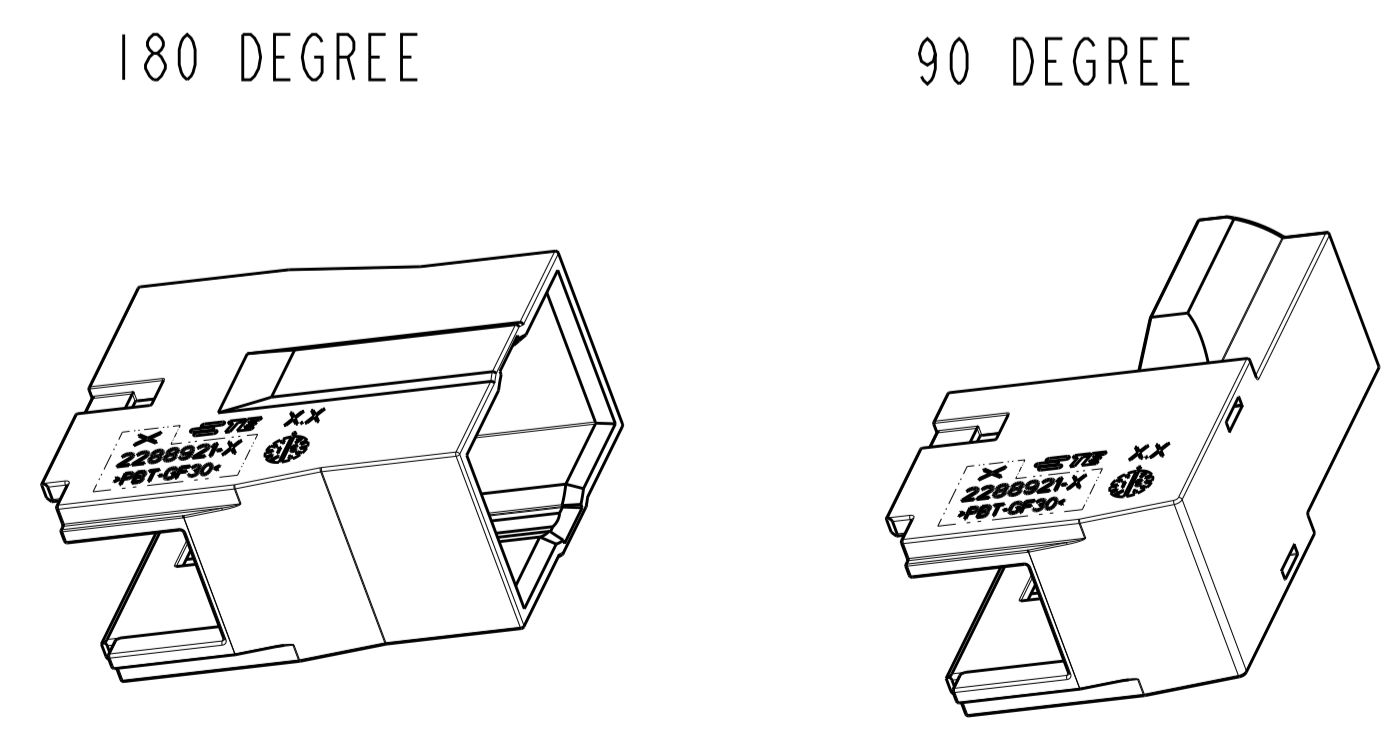
NOTES

- 1 SUITABLE TERMINAL 2289390 (WIRE SIZE: 25MM<sup>2</sup>, 35MM<sup>2</sup> OR 50MM<sup>2</sup>) AND SUITABLE MATING PARTS 2288894
- 2 BULK PACKAGED
- 3 ACCESSORY PLUG COVER (2288921) NEED BE ORDERED SEPARATELY

CODINGS



3 ACCESSORY PLUG COVER (2288921)



COD	TE PART NO.	REV	COLOUR	DESCRIPTION	ITEM NO
11	2288920-7	A	BLACK	PLUG HOUSING (-) (90 DEGREE)	4
11	2288920-6	A	BLACK	PLUG HOUSING (-) (180 DEGREE)	3
1	2288920-2	A	ORANGE	PLUG HOUSING (+) (90 DEGREE)	2
1	2288920-1	A	ORANGE	PLUG HOUSING (+) (180 DEGREE)	1

THIS DRAWING IS A CONTROLLED DOCUMENT.

DIMENSIONS: mm	TOLERANCES UNLESS OTHERWISE SPECIFIED	DRW: T.W. ANG 13MAY2015	CHK: H.YE 14MAY2015	APVD: S.W. ANG 14MAY2015	NAME: S.W. ANG
MATERIAL: PBT	FINISH: -	PRODUCT SPEC: -		APPLICATION SPEC: -	
CUSTOMER DRAWING		SIZE: A1	CAGE CODE: -	DRAWING NO: C-2288920	RESTRICTED TO: -
SCALE: 2:1		SHEET: 1 OF 1		REV: A1	

TE Connectivity