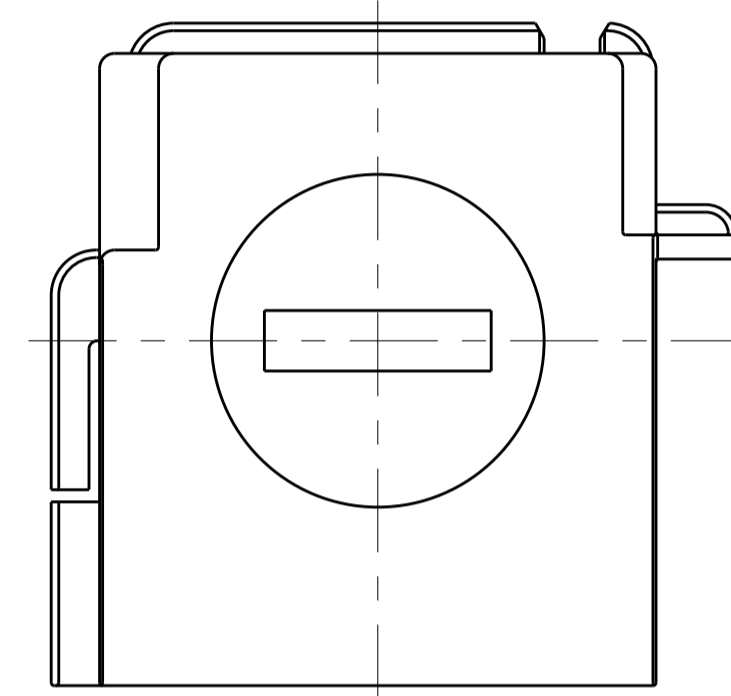
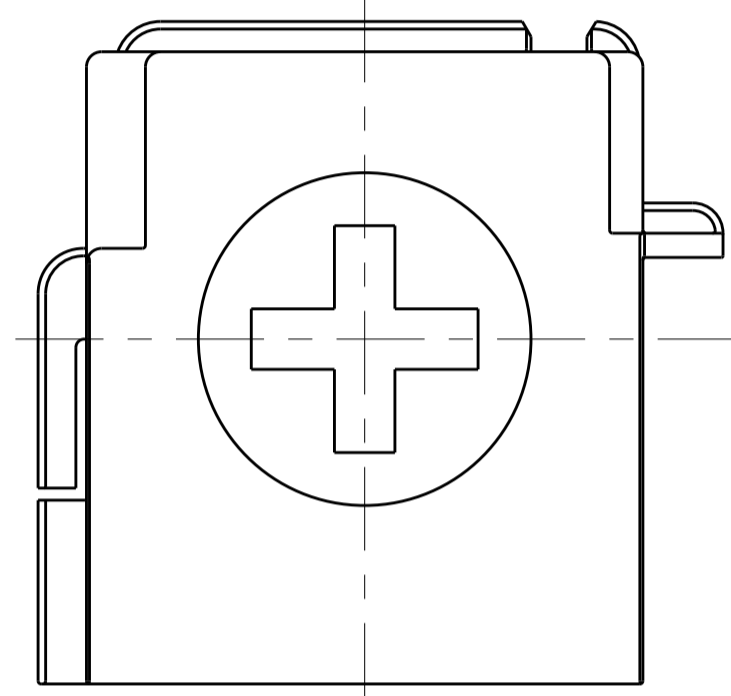
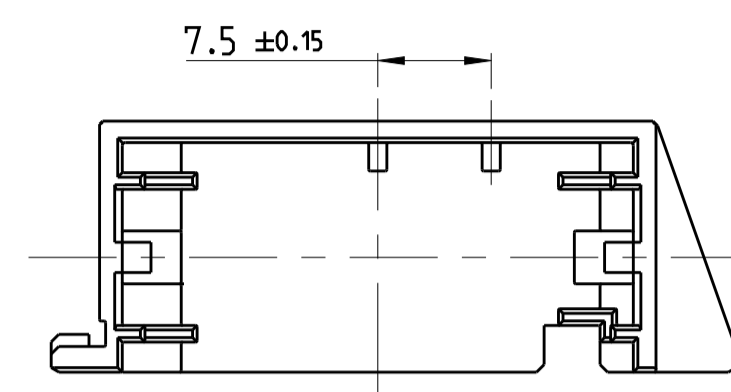
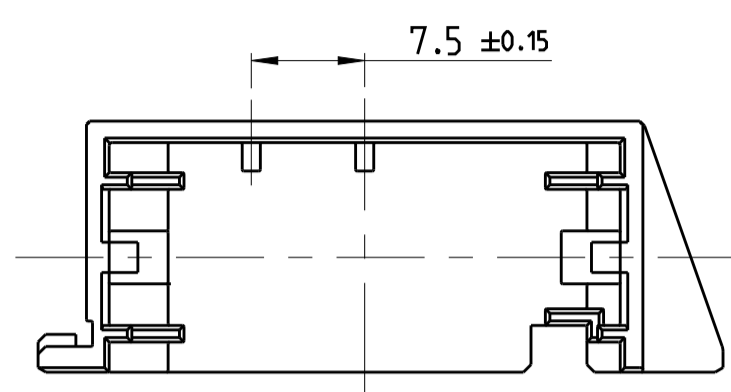


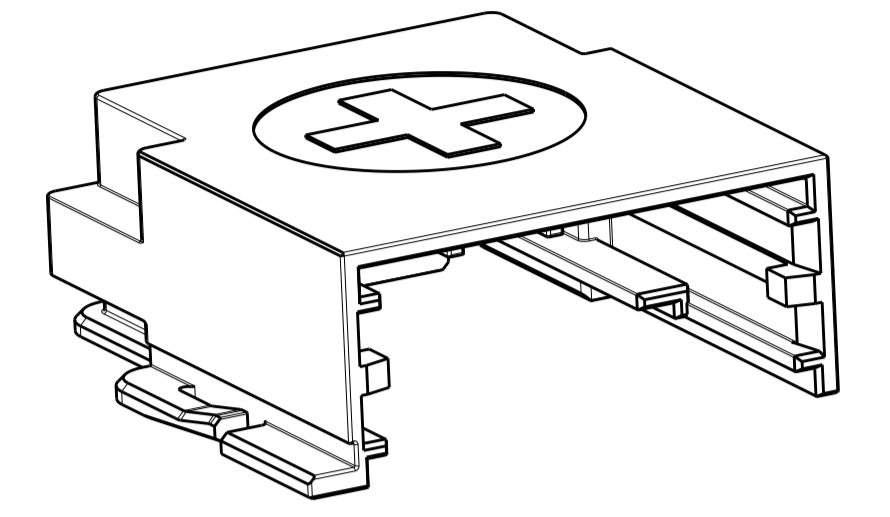
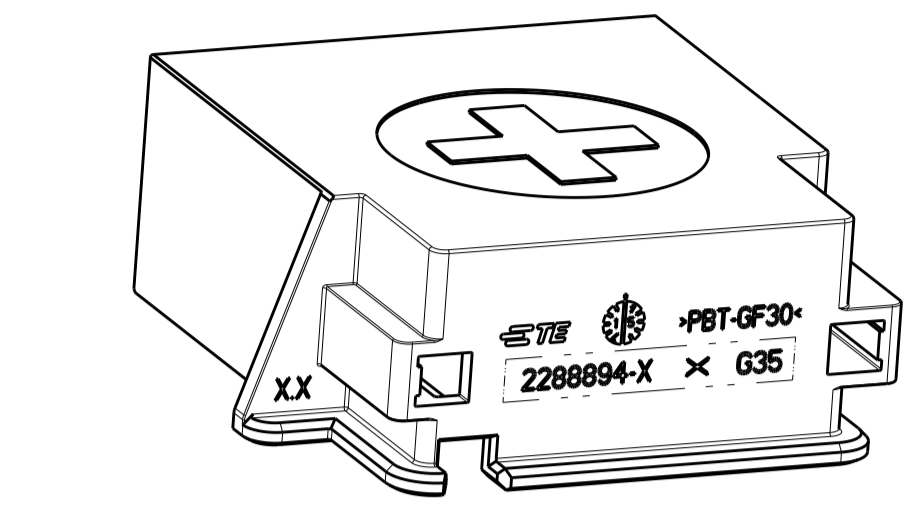
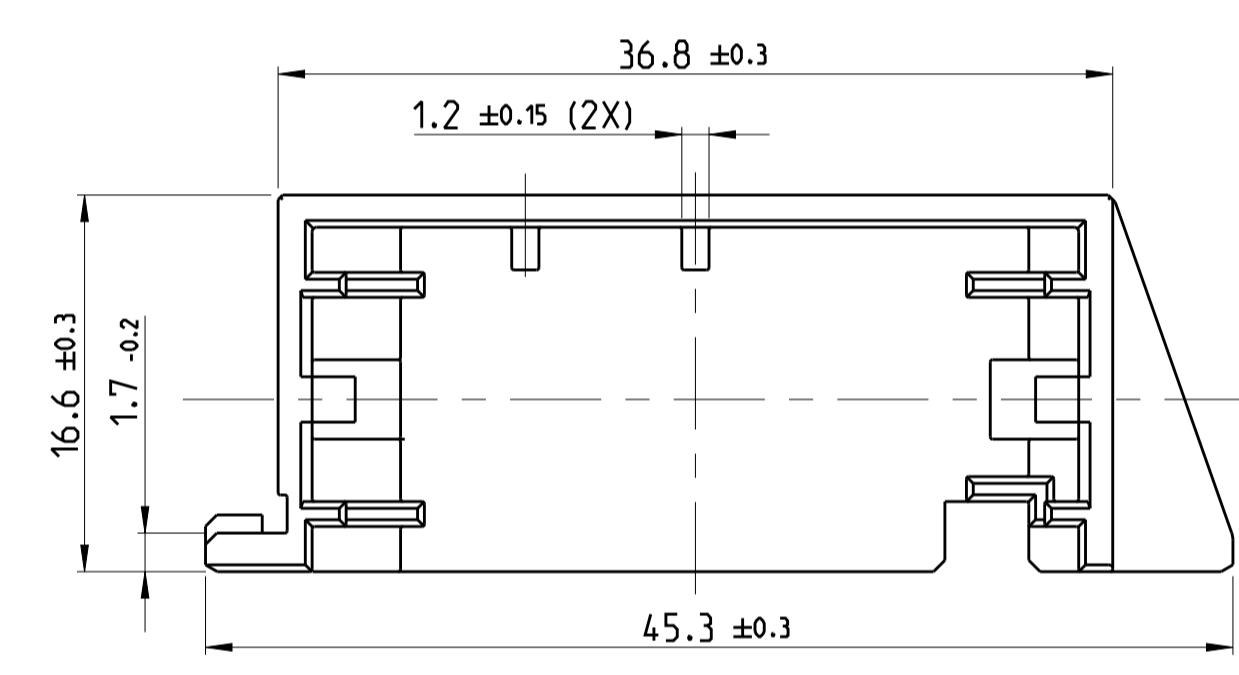
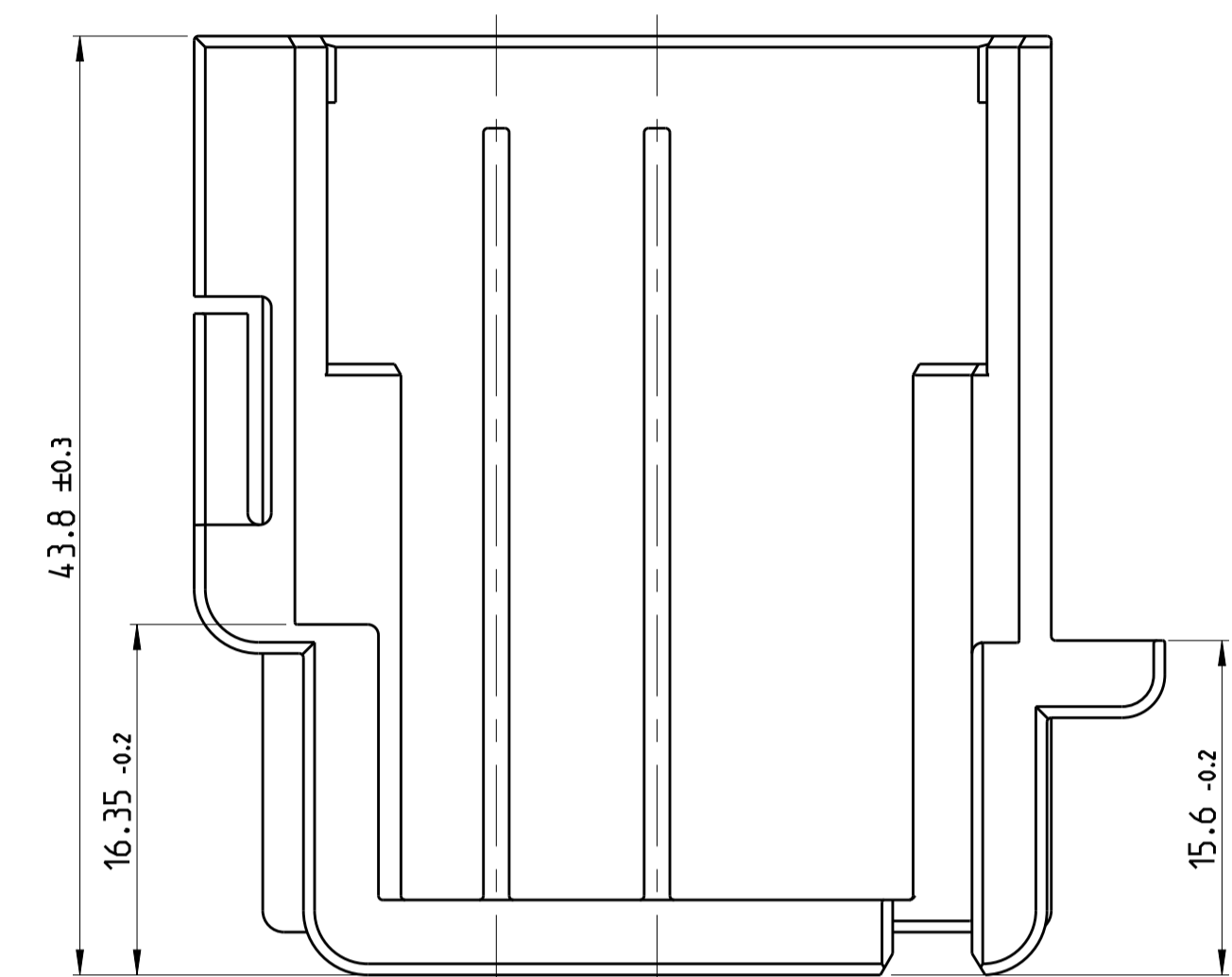
CODINGS AND POLARITY

I (+)
ORANGE

II (-)
BLACK



P/N 2288894-1 AS SHOWN



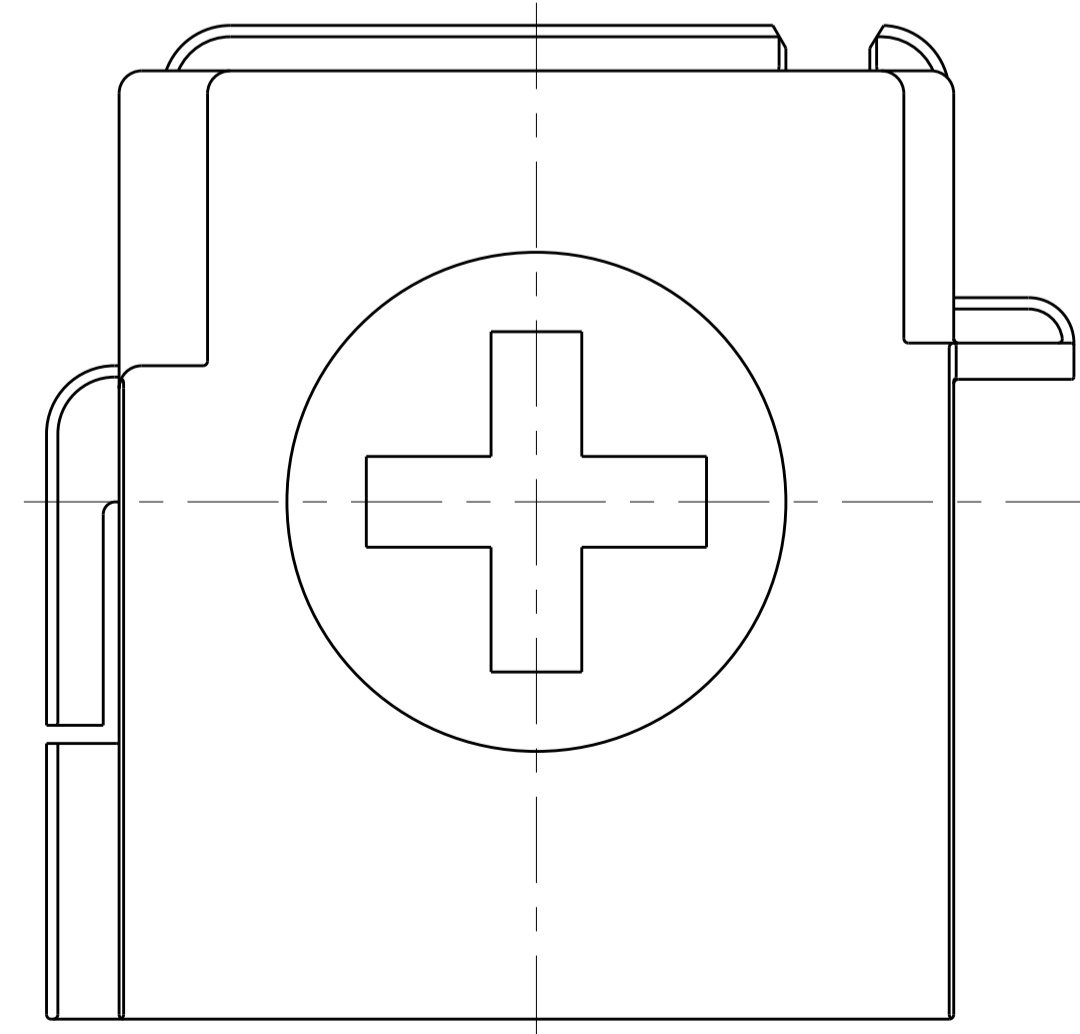
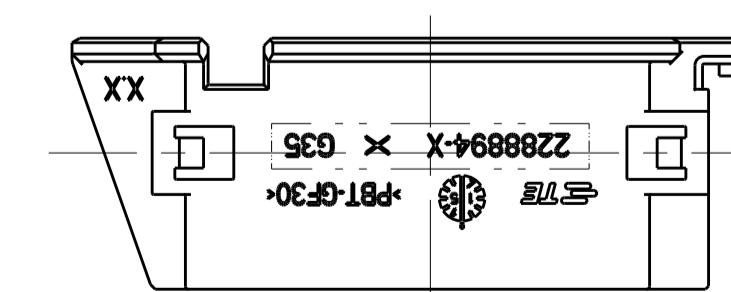
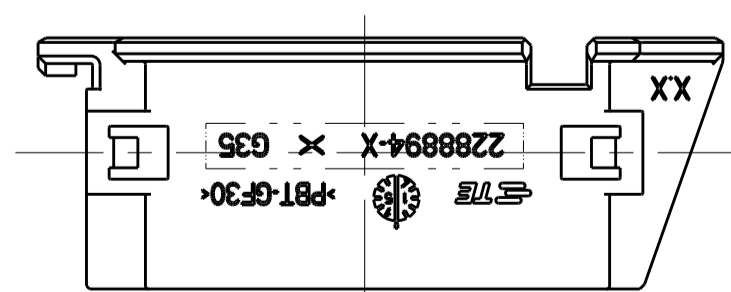
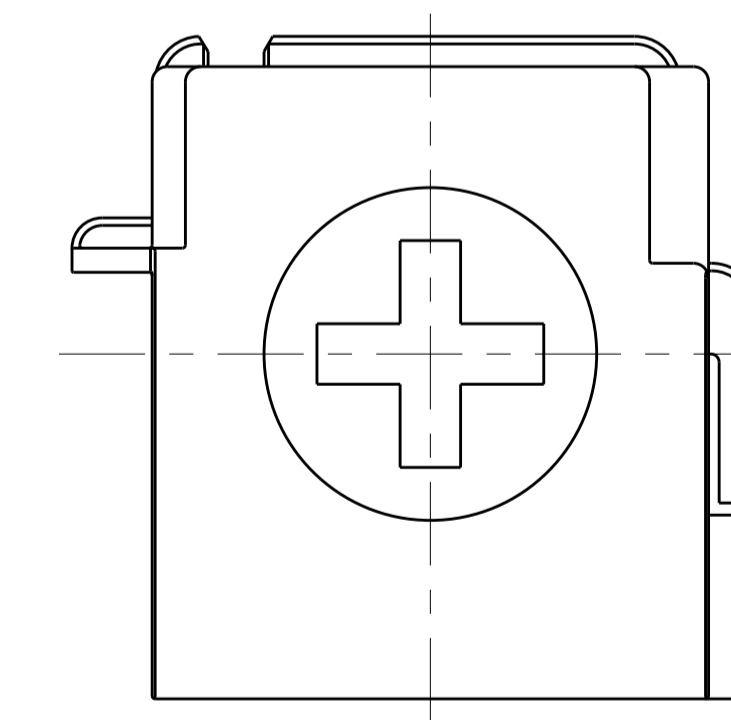
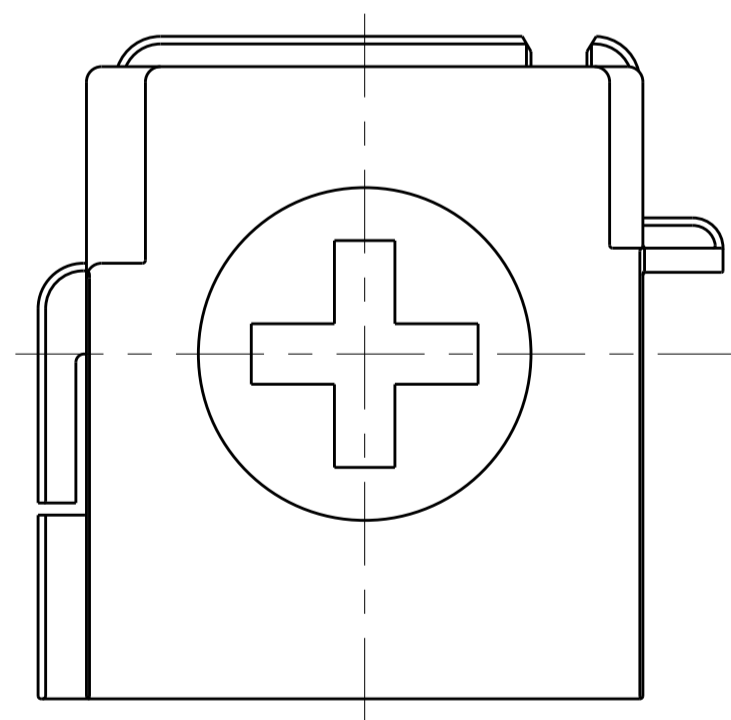
NOTES

- 1 SUITABLE MATING CONNECTOR 2288920
- 2 BULK PACKAGED
- 3 PARTS OF FIXED FOOT ON THE LEFT SIDE AND ON THE RIGHT SIDE ARE THE SYMMETRICAL PARTS

3 FIXED FOOT AREA

LEFT

RIGHT



	LEFT	RIGHT	RIGHT	LEFT	3							
	NEGATIVE (-)	NEGATIVE (-)	POSITIVE (+)	POSITIVE (+)	FIXED FOOT AREA	POLARITY	COD	TE PART NO.	REV	COLOUR	DESCRIPTION	ITEM NO
	II	II	I	I								
	2288894-7	2288894-6	2288894-2	2288894-1								
	A	A	A	A								
	BLACK	BLACK	ORANGE	ORANGE								
	HEADER COVER	HEADER COVER	HEADER COVER	HEADER COVER								
	1	1	1	1								

THIS DRAWING IS A CONTROLLED DOCUMENT.		DWN T.W. ANG 13MAY2015		NAME		TE Connectivity	
DIMENSIONS: mm		CHK H.YE 14MAY2015		APVD S.W. ANG 14MAY2015		PRODUCT SPEC	
TOLERANCES UNLESS OTHERWISE SPECIFIED		MATERIAL PBT-GF30		FINISH		APPLICATION SPEC	
0 PLC ±		SIZE A1		CAGE CODE -		DRAWING NO C=2288894	
1 PLC ±		WEIGHT -		SCALE 1:1		SHEET 1 OF 1	
2 PLC ±		CUSTOMER DRAWING		REV A1			
3 PLC ±							
4 BCC ±							
ANGLES							
FINISH							