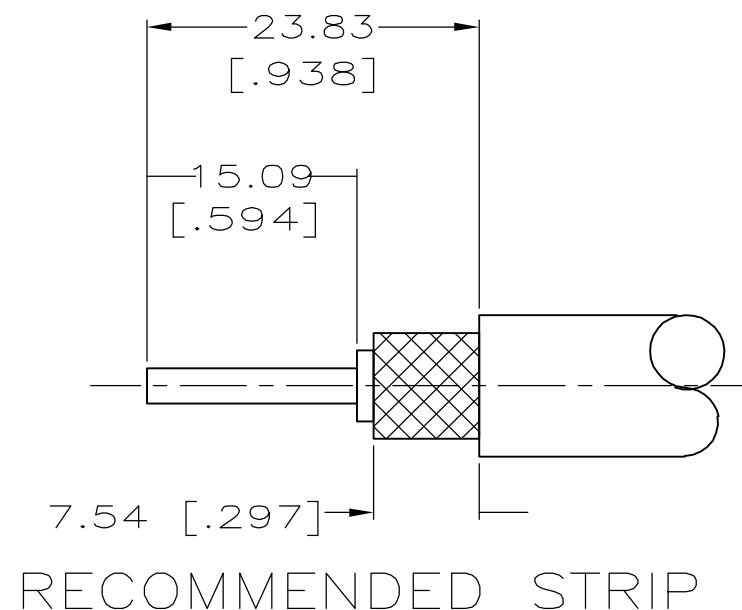
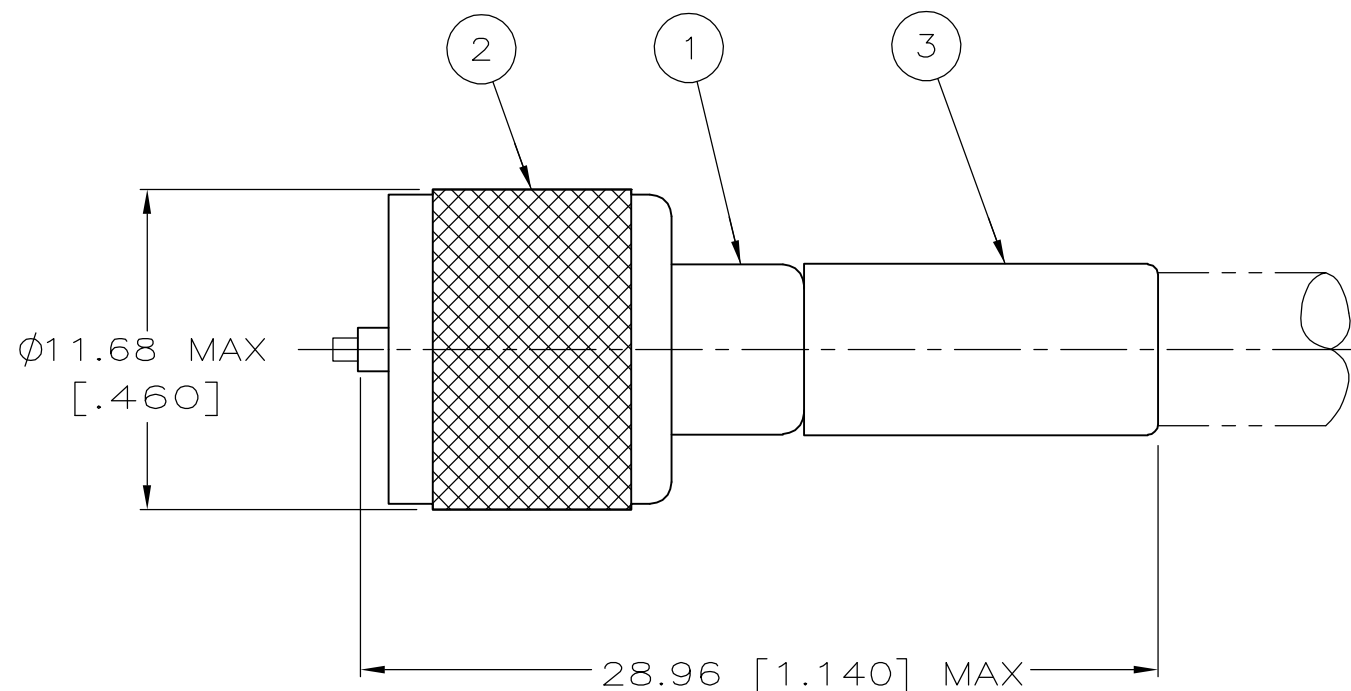


THIS DRAWING IS UNPUBLISHED. RELEASED FOR PUBLICATION -,- .  
 © COPYRIGHT - BY TYCO ELECTRONICS CORPORATION. ALL RIGHTS RESERVED.

LOC	DIST	REVISIONS					
AJ	16	P	LTR	DESCRIPTION	DATE	DWN	APVD
			F	REVISED PER EC OS14-0499-04	25JULY05	BM	JL

1. USE CRIMPING TOOL: PRO-CRIMPER WITH DIE SET 58494-1 OR DIE HOLDER 764593-1 WITH DIE SET 58494-1 IN CONJUNCTION WITH PNEUMATIC TOOLS, 314281-1, 314700-1, 314590-1, 314590-2, OR 856402-1



	RG-400/U, RG-142/U & RG-223/U	9-221132-4	226598-2	226603-3	228664-2
OBSOLETE	RG-142/U & RG-223/U	9-221132-4	226598-2	226603-1	228664-1
	FOR USE WITH CABLE	③ FERRULE QTY=1	② COLLAR QTY=1	① PLUG ASSY QTY=1	PART NO

THIS DRAWING IS A CONTROLLED DOCUMENT.		DWN M. SNEED 1-15-92	Tyco Electronics Corporation Harrisburg, Pa 17105-3608	
DIMENSIONS: mm[INCHES]		CHK R. HENRY 1-15-92		
TOLERANCES UNLESS OTHERWISE SPECIFIED:		APVD R. HENRY 1-15-92	NAME PLUG, MINIATURE UHF	
0 PLC ± - 1 PLC ± - 2 PLC ± - 3 PLC ± 0.41 [.016] 4 PLC ± - ANGLES ± -		PRODUCT SPEC -	SIZE A3	
MATERIAL -		FINISH -	APPLICATION SPEC -	CAGE CODE 00779
		WEIGHT -	DRAWING NO C-228664	RESTRICTED TO -
CUSTOMER DRAWING			SCALE 4:1	SHEET 1 OF 1
			REV F	