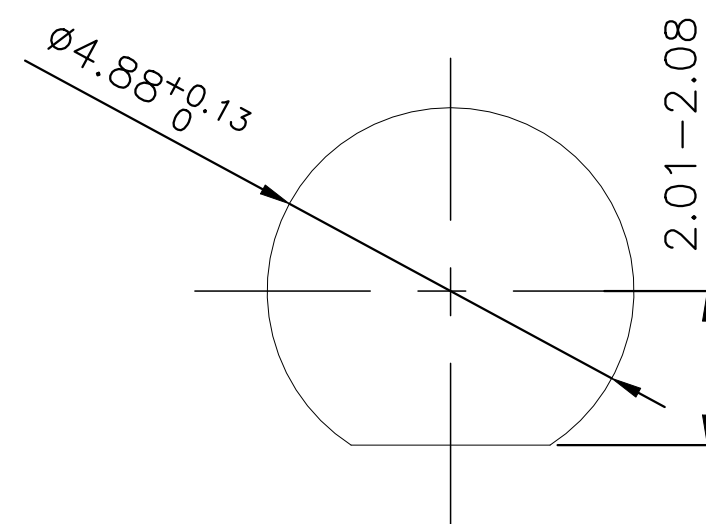
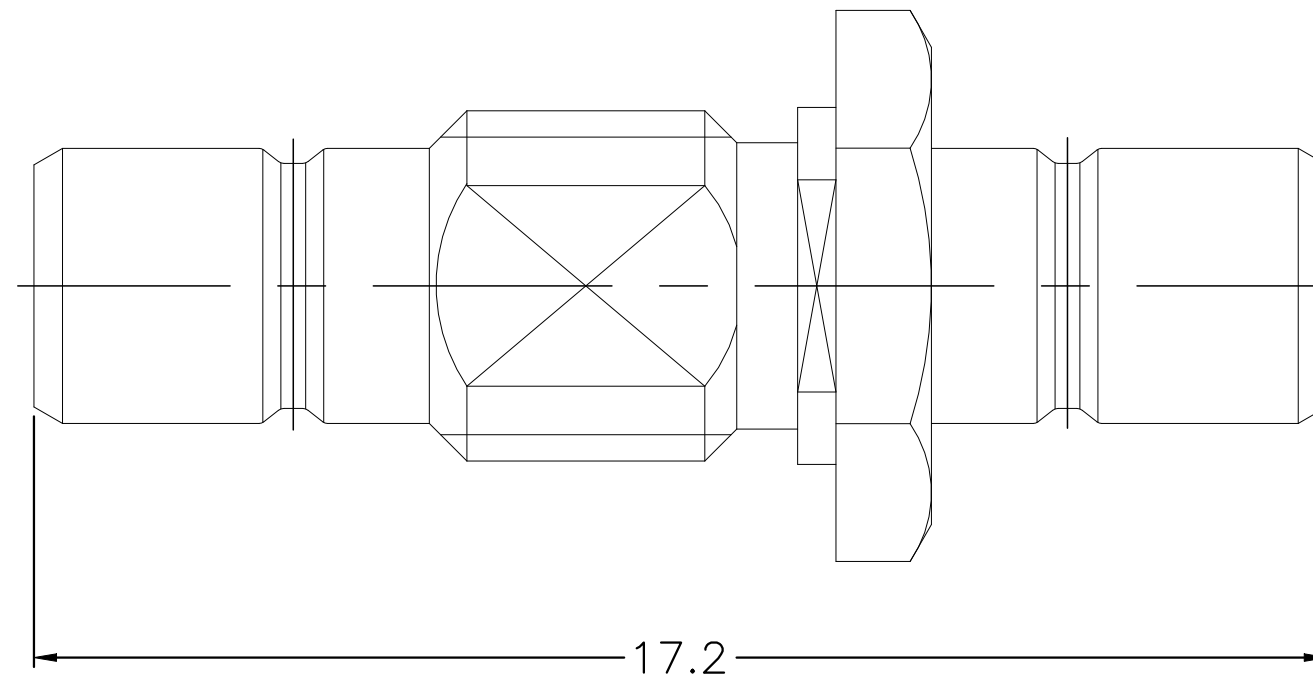
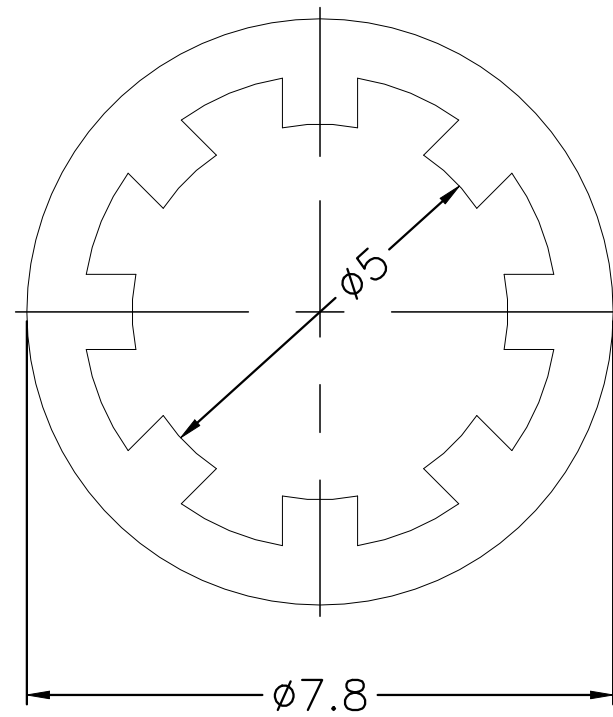
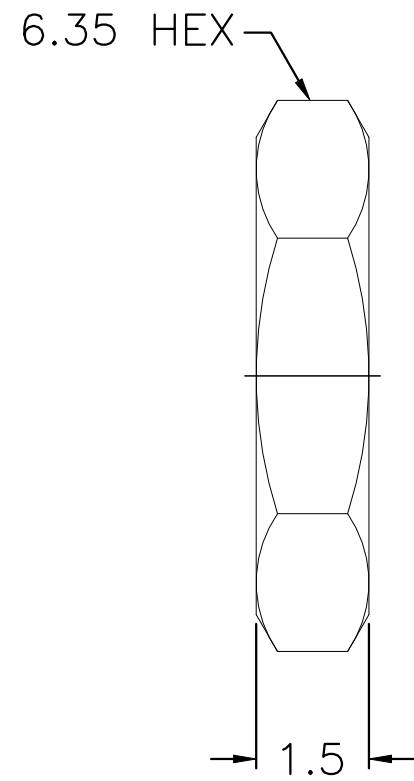


REVISIONS				
P	LTR	DESCRIPTION	DATE	APVD
	J	Update revision to J	20MAR2024	ED WH



SUGGESTED PANEL CUT-OUT

NOTES:

- PACK IN ACCORDANCE WITH TE SPEC 107-3275;
- ALL DIMENSIONS ARE NOMINAL FOR REFERENCE ONLY UNLESS OTHERWISE STATED;
- ELECTRICAL CHARACTERISTICS :
 FREQUENCY RANGE : DC-4GHz
 NOMINAL IMPEDANCE : 50 OHMS
 INSULATION RESISTANCE : 5000 MOHMS
 WORKING VOLTAGE : 335 VRMS MAX
 DIELECTRIC WITHSTANDING VOLTAGE : 750 VOLTS MAX
 VSWR : 1.2(DC-4GHz)
 CONTACT RESISTANCE :
 CENTER CONTACT : 6 mOHMS MAX
 OUTER CONTACT : 2.5 mOHMS MAX;
- MECHANICAL CHARACTERISTICS :
 DURABILITY : 500 CYCLES
 ENGAGEMENT AND DISENGAGEMENT FORCE:
 ENGAGEMENT: 63N MAX,8N MIN;
 DISENGAGEMENT: 8N MIN;
- TEMPERATURE RANGE: -65°-+165°;
- RoHS: COMPLIANT;
- NICKEL PL. 100u" MIN. THICK OVER COPPER PL. 50u" MIN. THICK;
- GOLD PL. 50u" MIN. THICK OVER NICKEL PL. 50u" MIN. THICK OVER COPPER PL. 50u" MIN. THICK.

QTY	NOTE	MATERIAL	DESCRIPTION	ITEM
1	NOTE 7	BRASS	HEX NUT	5
1	NOTE 7	PHOSPHOR BRONZE	LOCK WASHER	4
1	NOTE 8	BRASS	CONTACT PIN	3
2	NATURAL	PTFE	INSULATOR	2
1	NOTE 7	BRASS	BODY	1
228553-1	PLATING	MATERIAL	DESCRIPTION	ITEM

THIS DRAWING IS A CONTROLLED DOCUMENT.

DWN	ED	19MAR2024		NAME SMB BULKHEAD JACK TO JACK ADAPTER STRAIGHT,DC-4GHZ
CHK	ED	19MAR2024		
APVD	WH	19MAR2024		
PRODUCT SPEC				
MATERIAL	SEE TABLE		SIZE	A2
DIMENSIONS:	mm		CAGE CODE	00779
			DRAWING NO	C=228553
			RESTRICTED TO	
			CUSTOMER DRAWING	
			SCALE	8:1
			SHEET	1 OF 1
			REV	J