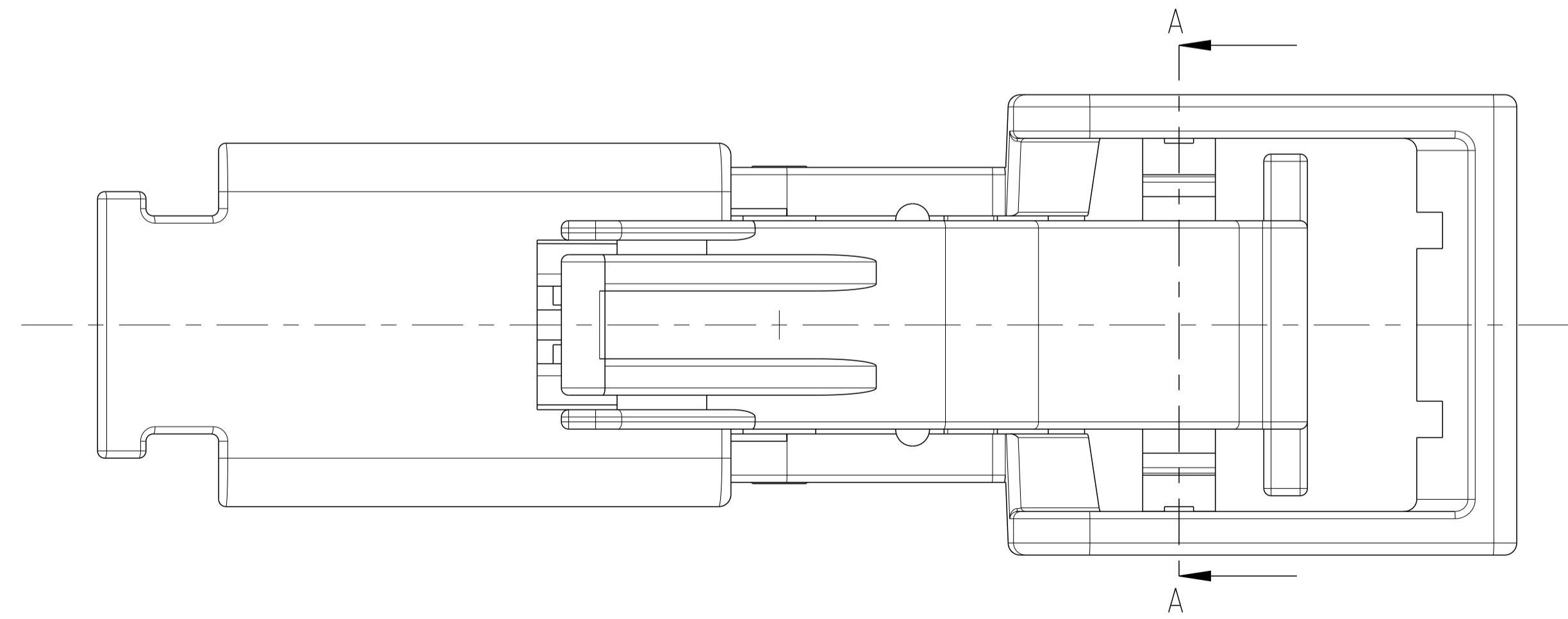
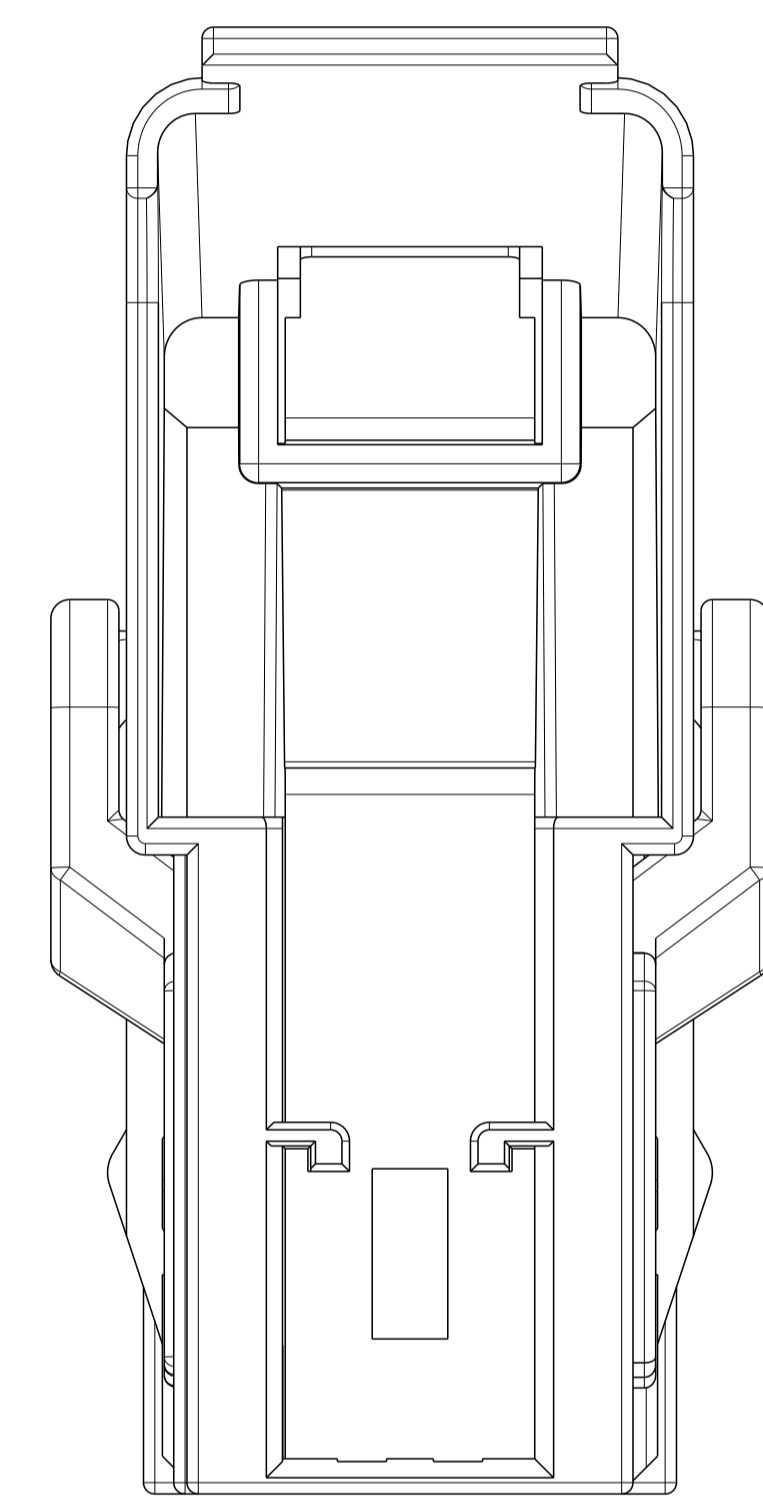
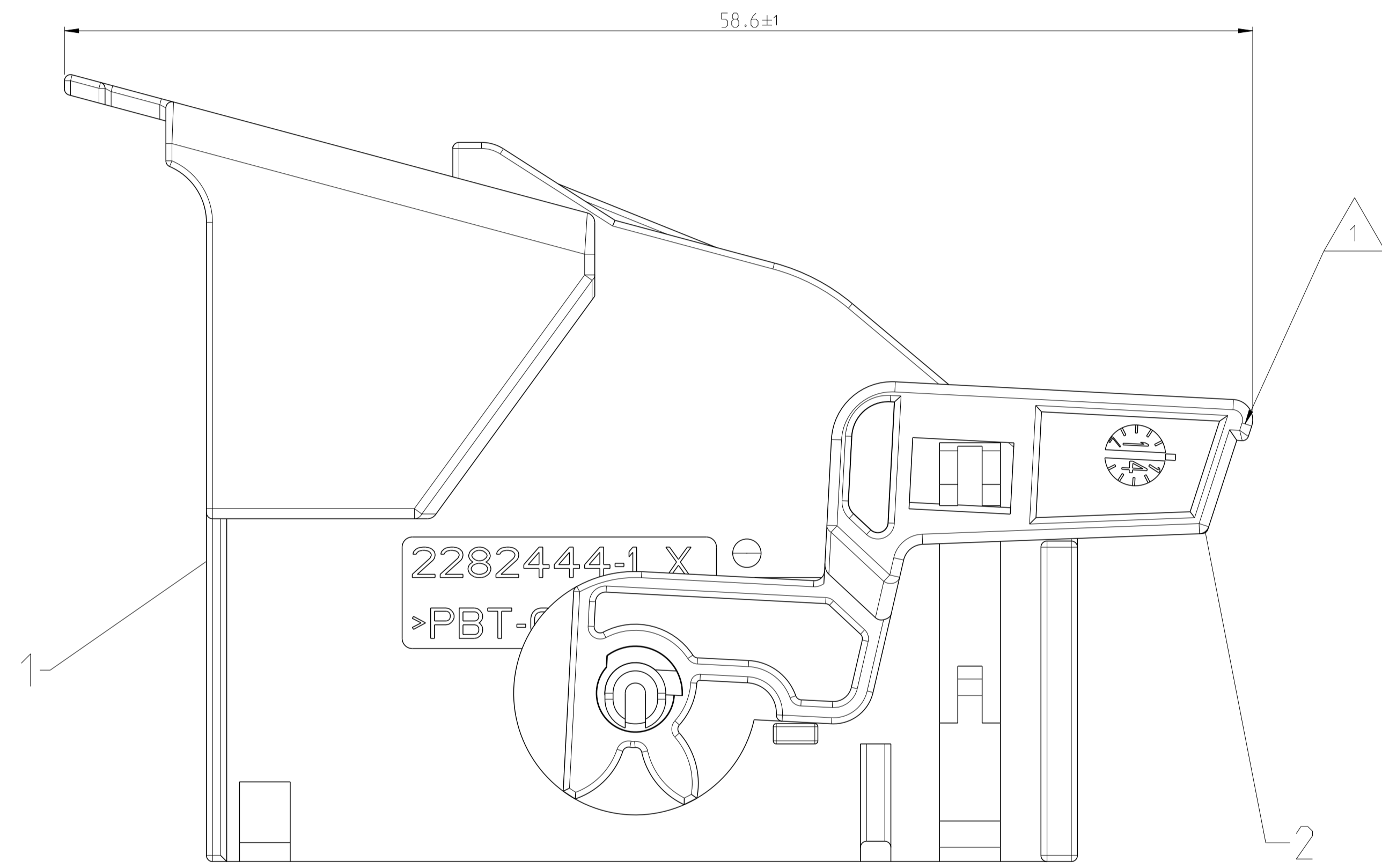
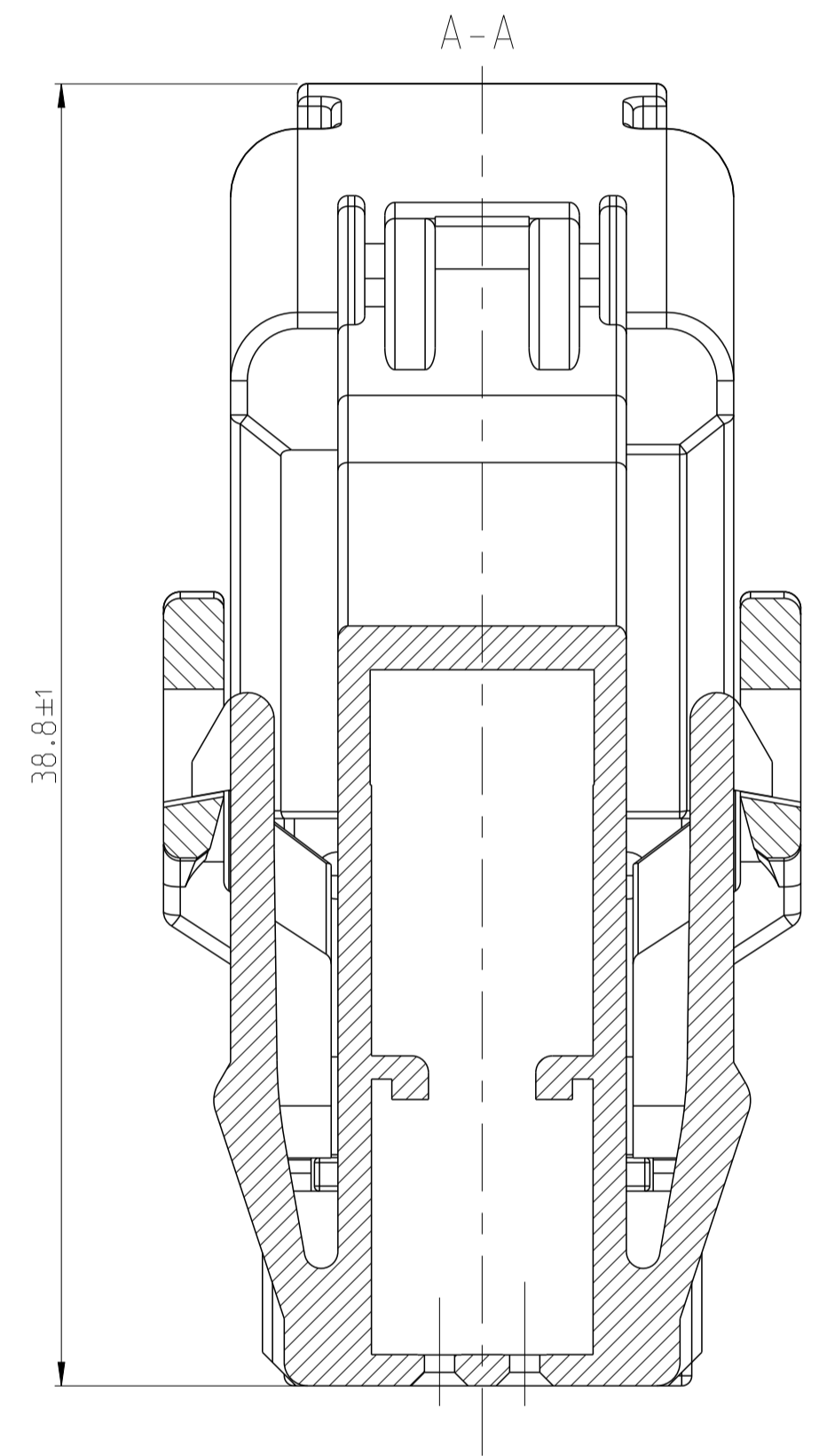
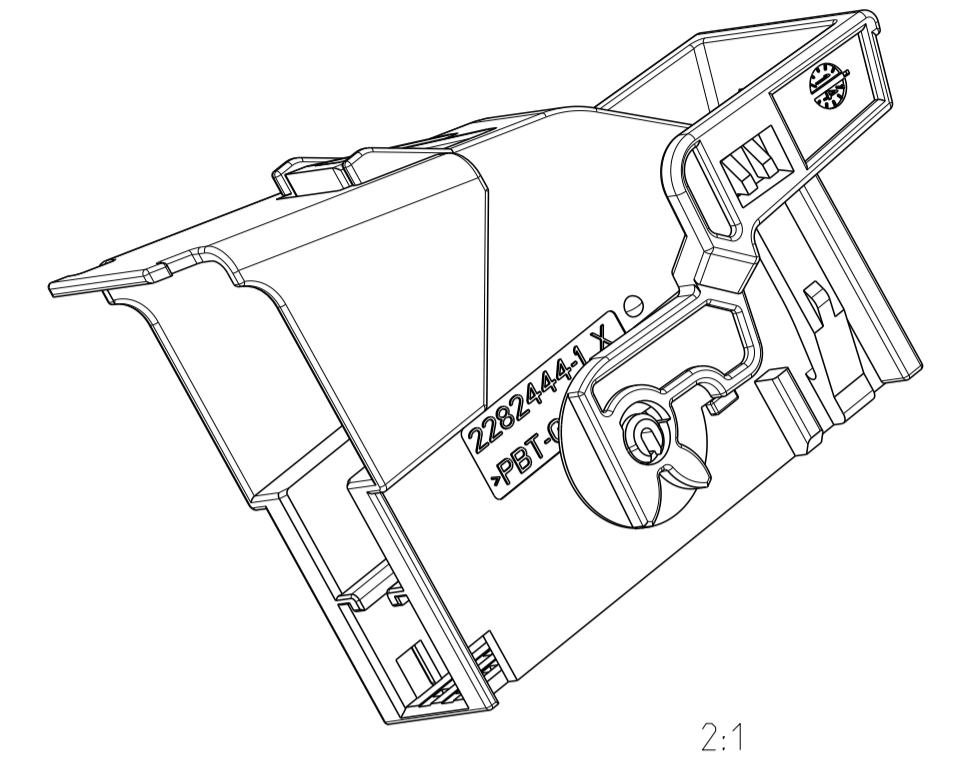
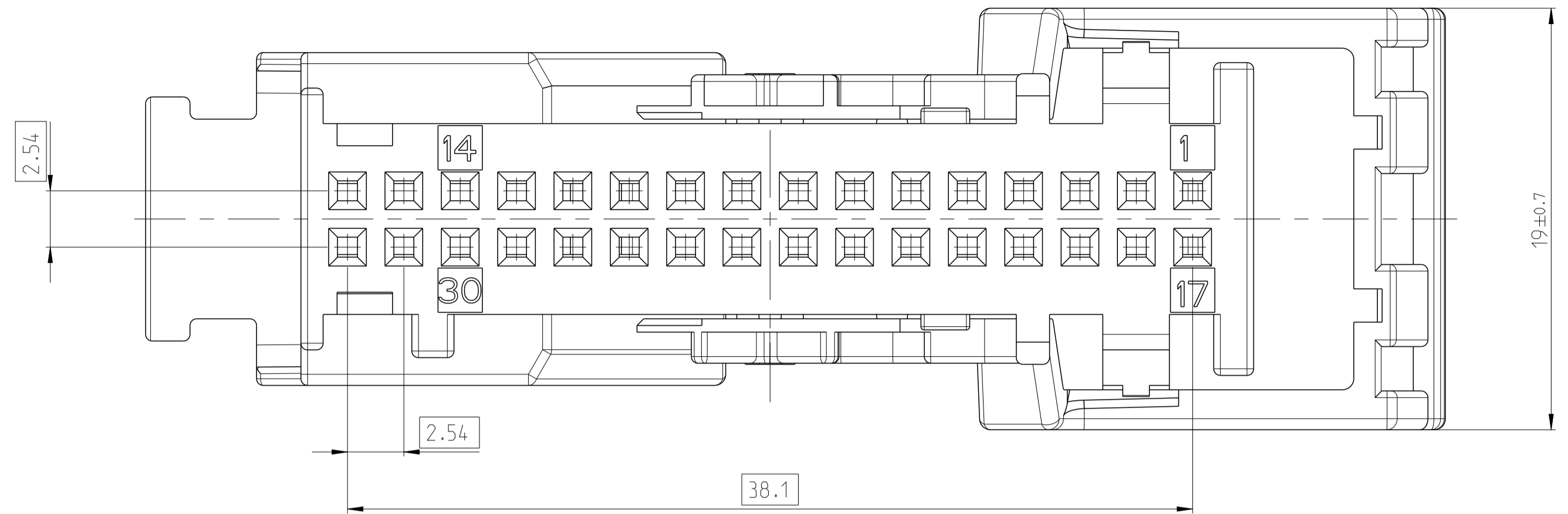


REVISIONS				
P.	LTN.	DESCRIPTION	DATE	APVD.
A		NEW DRAWING	21AUG2014	MT HR



NOTES
 △ DELIVERY POSITION

953486-2	968265-1	2282443-1	A	7.6	PBT-GF20 PBT-GF10	ORANGE BLACK	LEVER COVER	2 1
COUNTER PART	USED WITH SOCKET HSG.	TE ORDER NO.	ASSY REV.	WEIGHT [-g]	MATERIAL	COLOR	DESCRIPTION	ITEM NO.

THIS DRAWING IS A CONTROLLED DOCUMENT.		DWN M. TRAJKOV CHK H. RIPPER	07MAY2014 07MAY2014	TE Connectivity NAME ASSY 32POS. COVER WITH LEVER		
DIMENSIONS:	TOLERANCES UNLESS OTHERWISE SPECIFIED:	APVD	PRODUCT SPEC			
mm	0 PLC # 1 PLC # 2 PLC # 3 PLC # 4 PLC # ANGLES # FINISH #		APPLICATION SPEC			
MATERIAL		WEIGHT	SIZE	CAGE CODE	DRAWING NO.	RESTRICTED TO
			A 1		C=2282443	
CUSTOMER DRAWING			SCALE	SHEET	OF	REV
			5:1	1	1	A