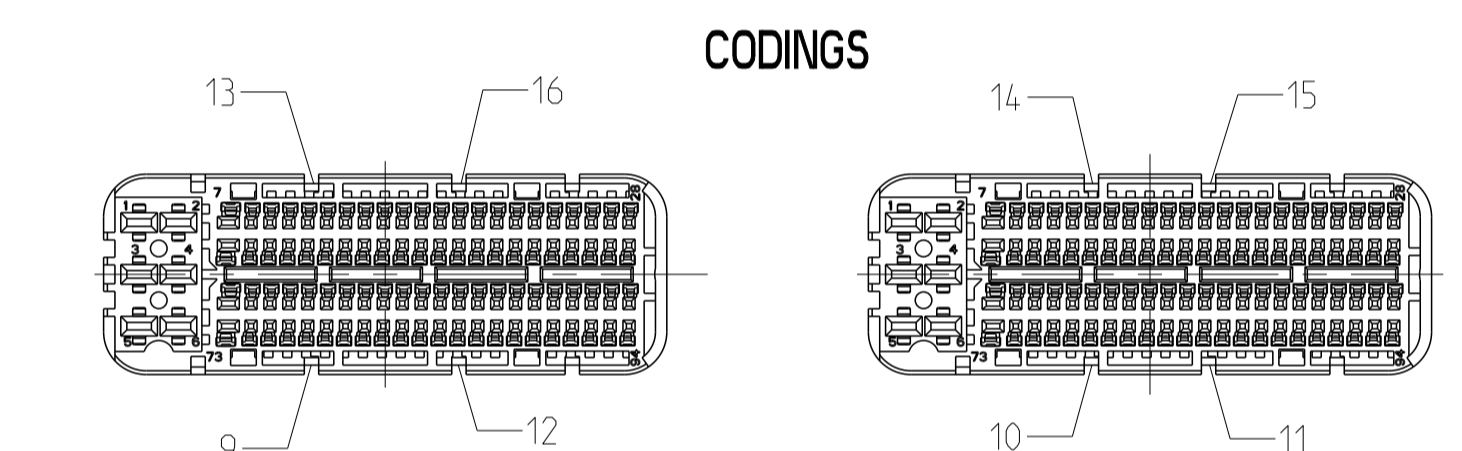


REVISIONS				
P	LTA	DESCRIPTION	DATE	DMN APVD
A1	-	INITIAL RELEASED	13-Feb-15	J.Z S.W
A2	-	-	-	-
A3	-	ECR-22-157025	31DEC1 22	S.X J.Z
B1	-	FAMILY SEAL MATERIAL CHANGED FROM A2361DWB5 TO A2361TWB5	7FEB23	PKG JUS



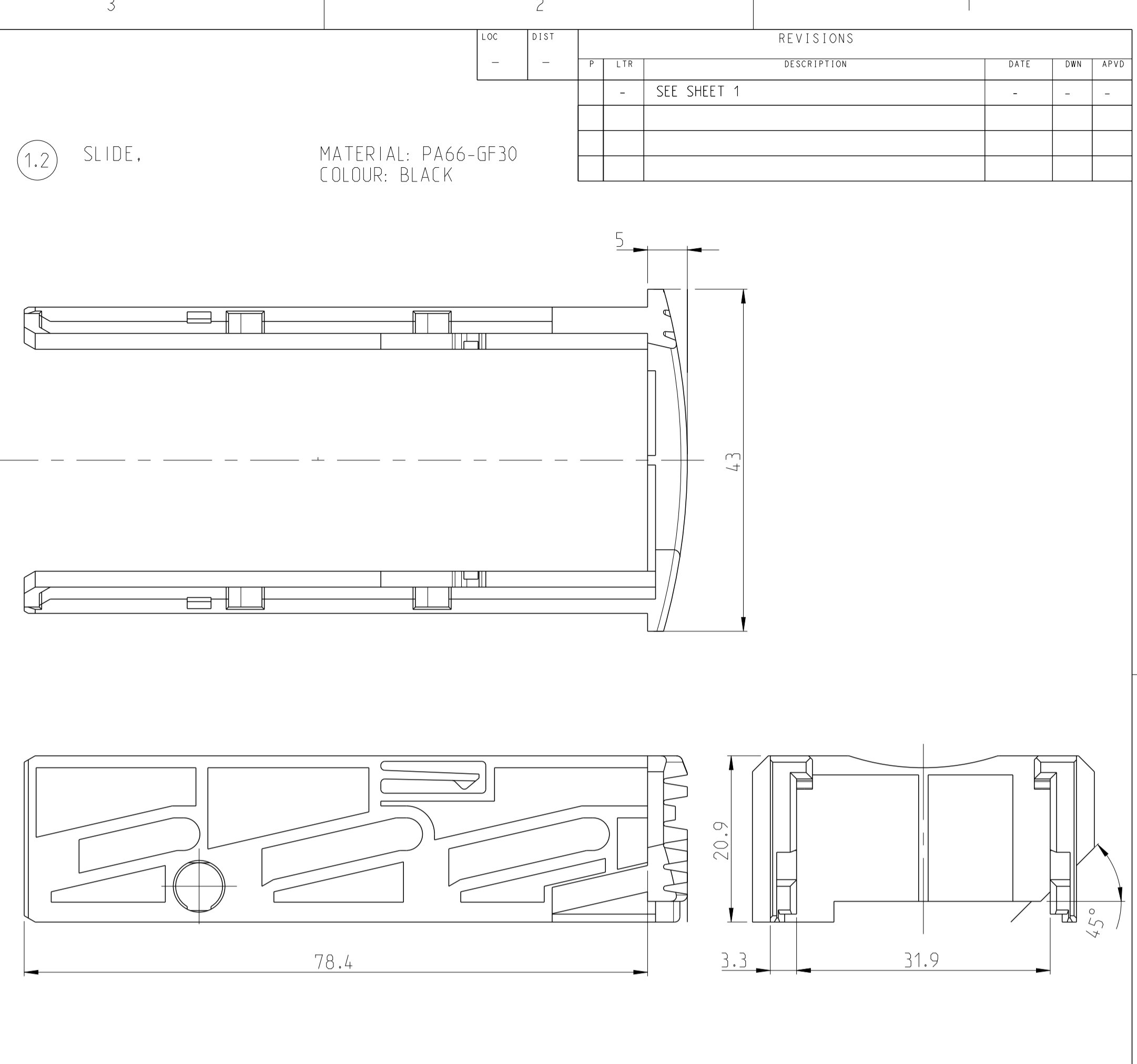
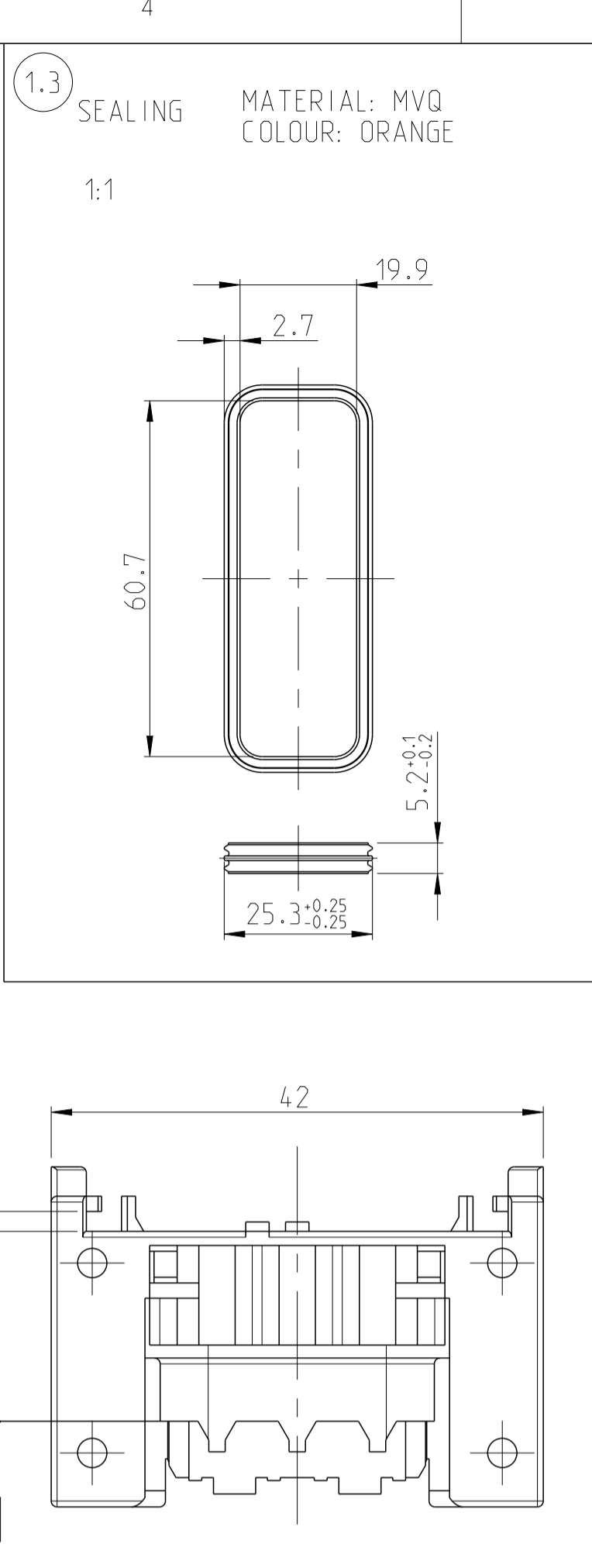
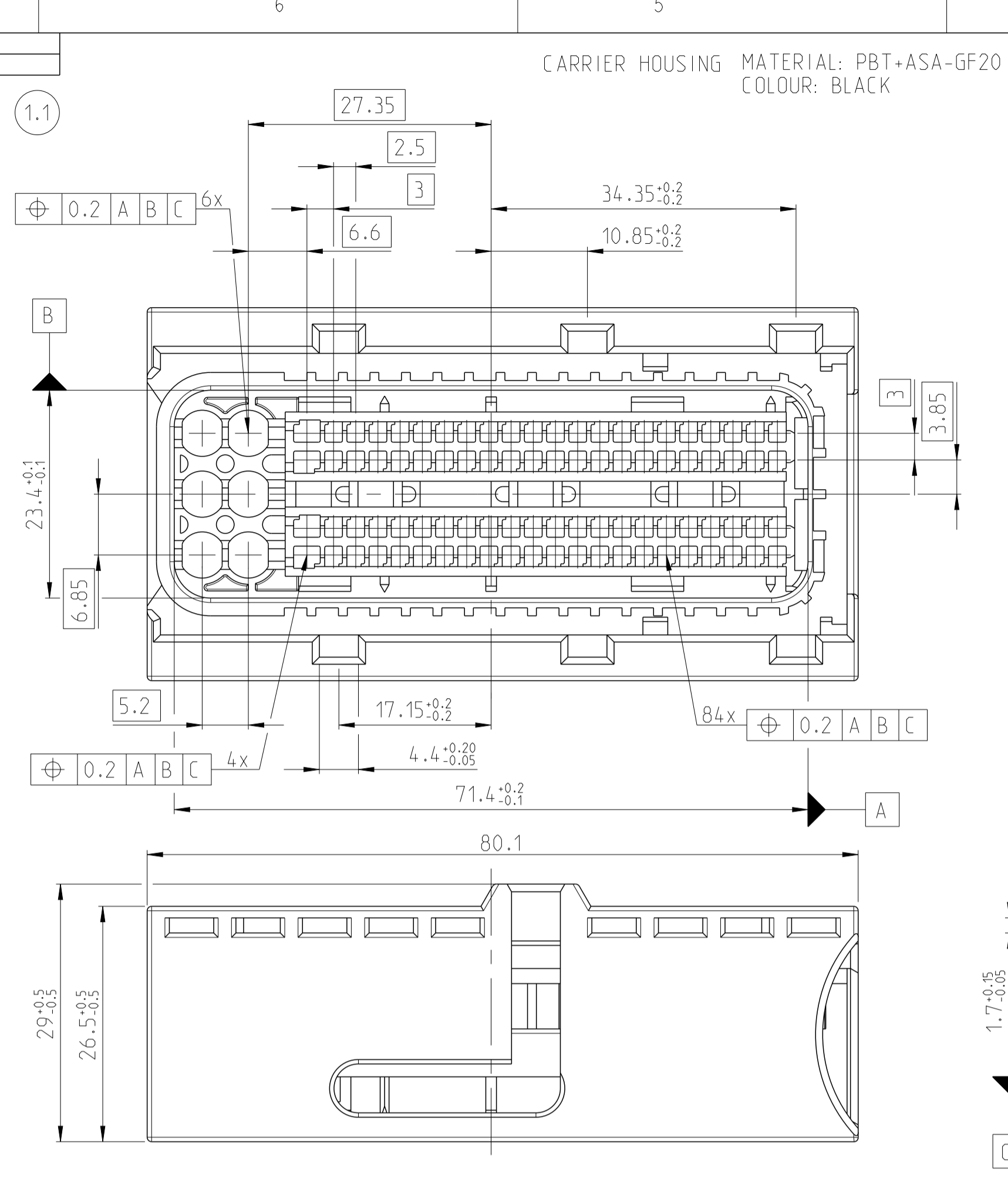
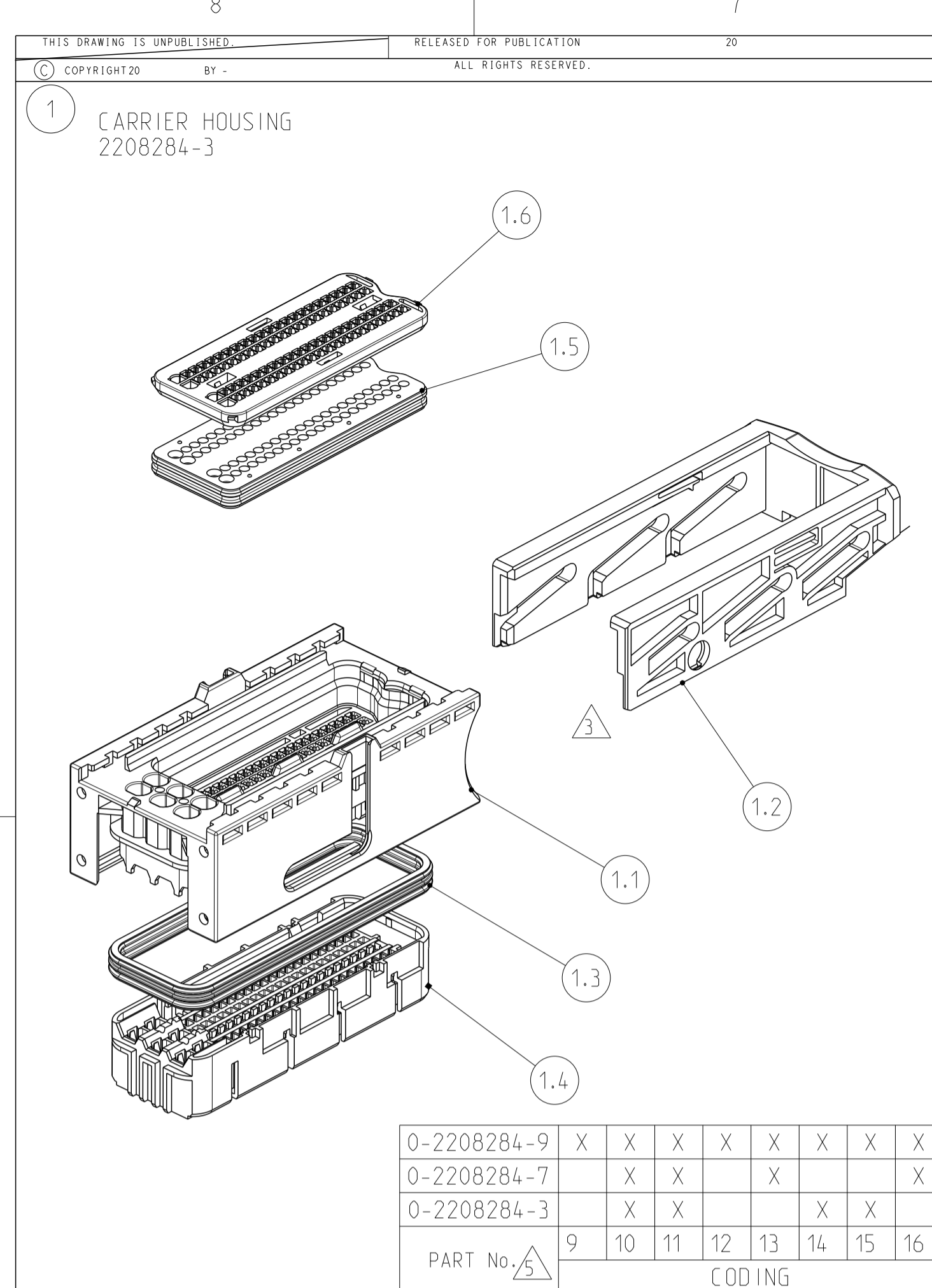
Notes

- 1 MATING PART EXECUTION ACC. TO 114-18304-001
- 2 SUITABLE CONTACTS: MQS: 1534116, 1703282; 968220,968221(LARGER OPERATION FORCE)  
1,5mm CB: 1241608  
MCP2.8K : 1241392, 1241394, 1241396  
SEALING PLUGS 1394871 (0.63), 1394872 (1.5)
- 3 FORM CONDITIONED DELAY OF 0.8 ADMISSIBLE
- 4 PARTS MUST BE ORDERED SEPARATELY ACC. TO THE TABLE BELOW
- 5 ITEM "X" MEANS THE VARIANT CODE OF ITEM 1, THE RELEASED CODE SEE PAGE 2

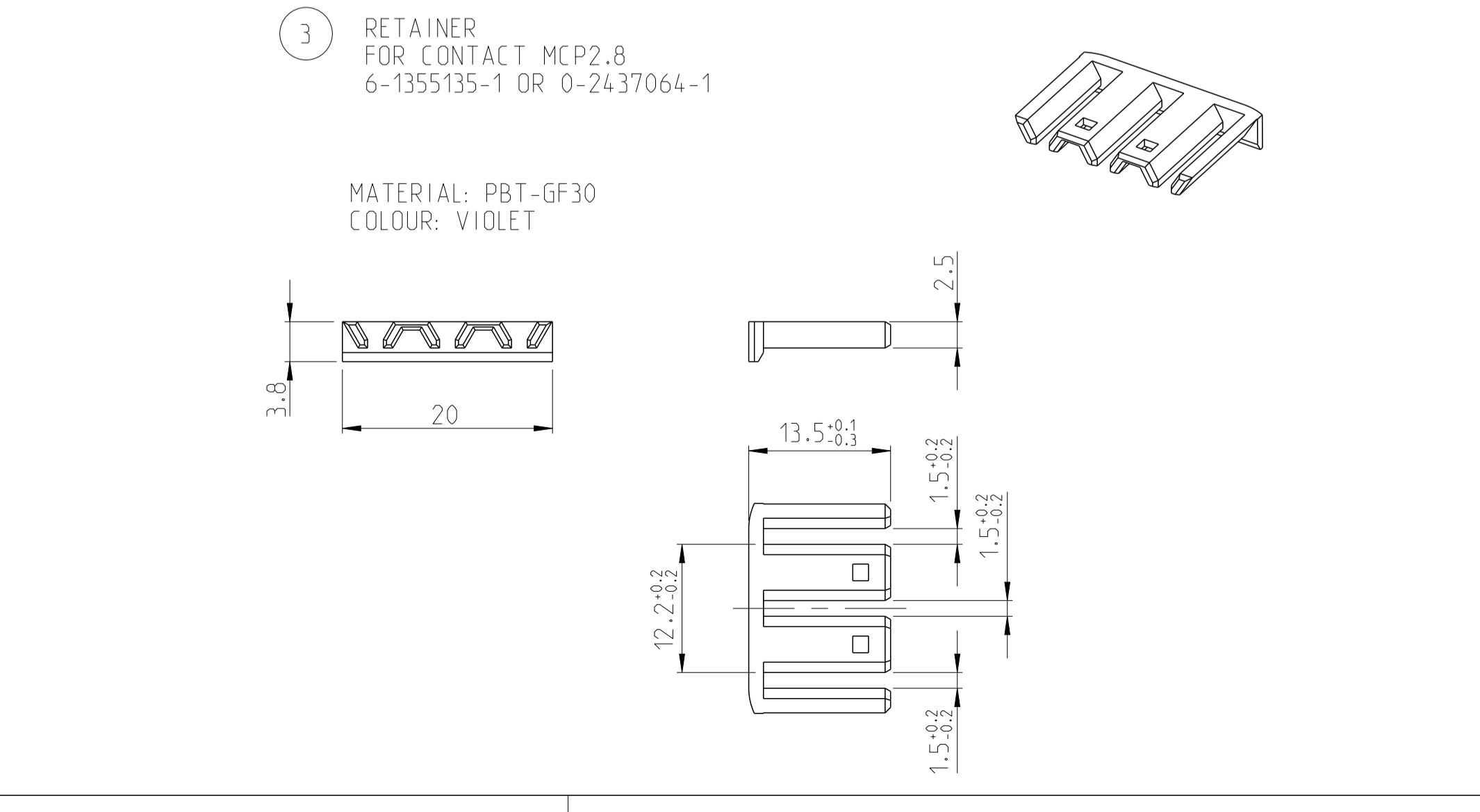
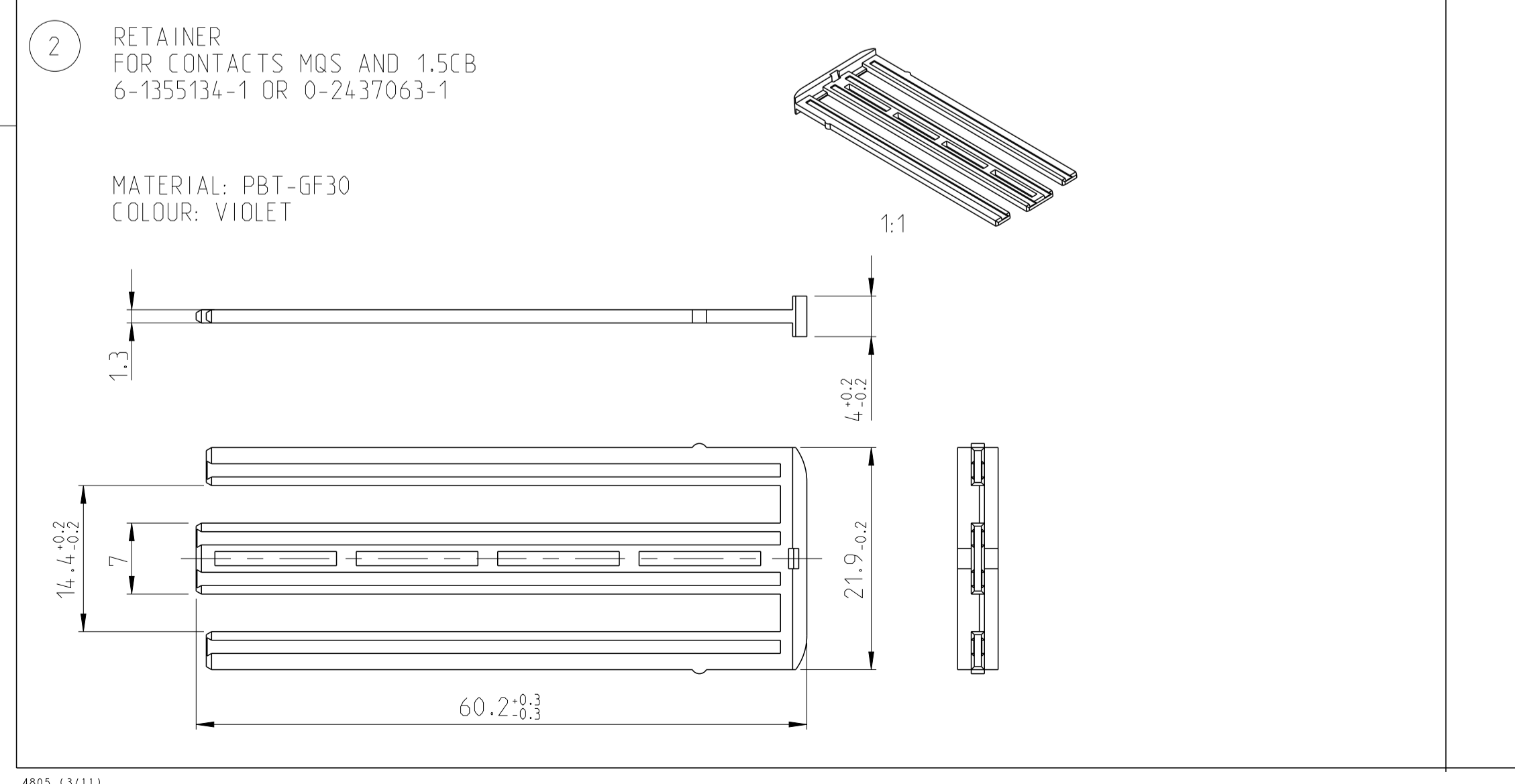
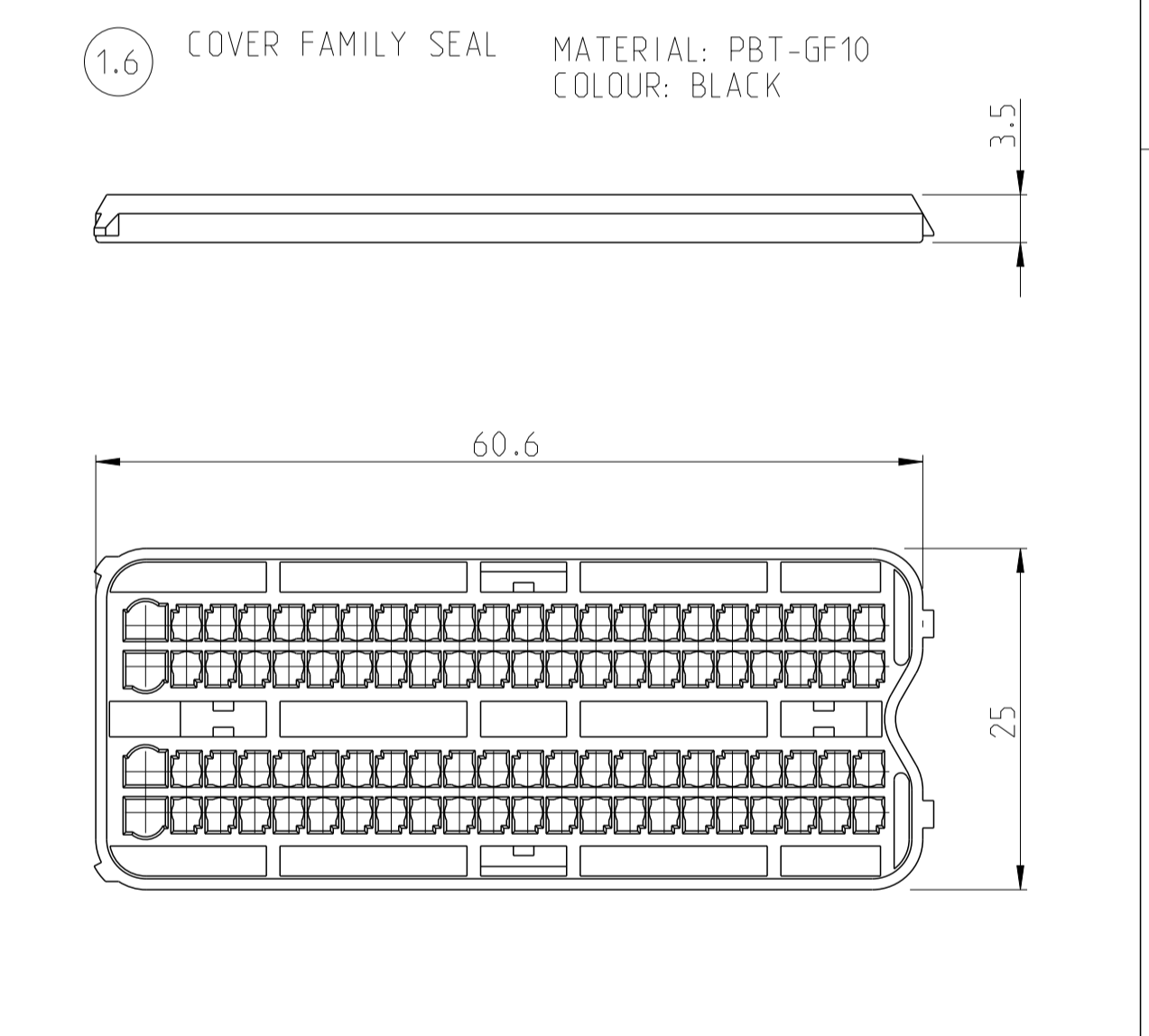
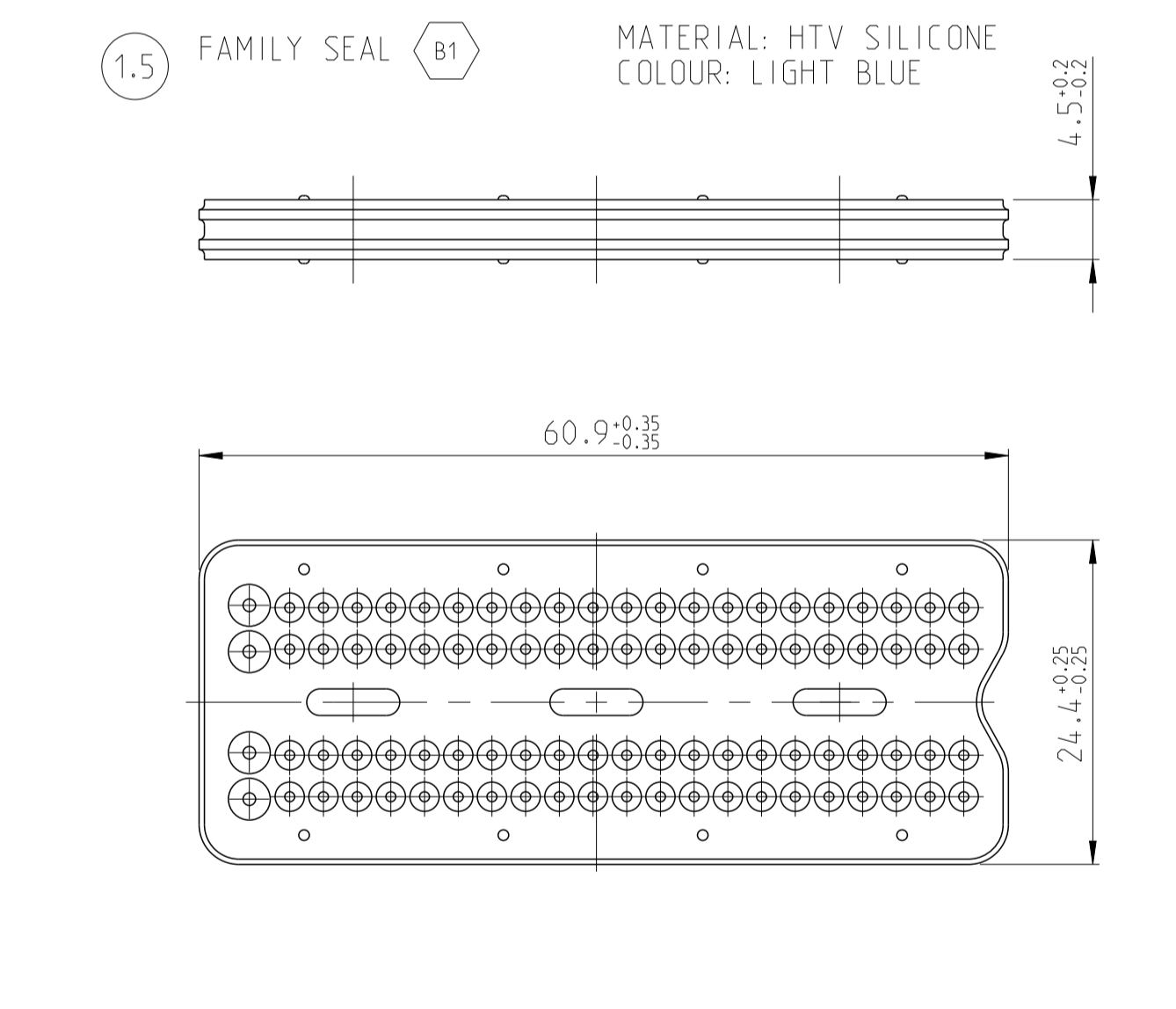
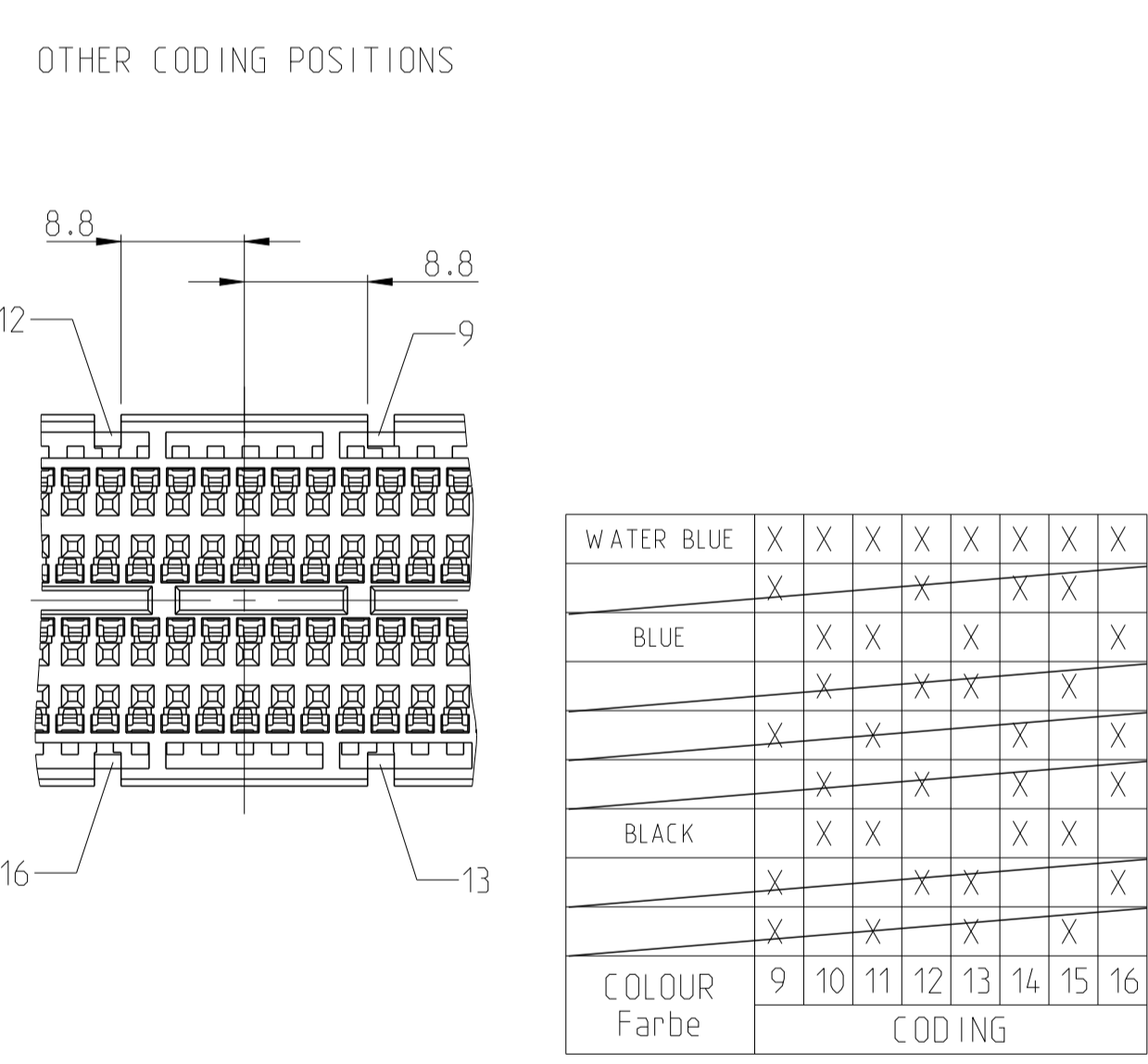
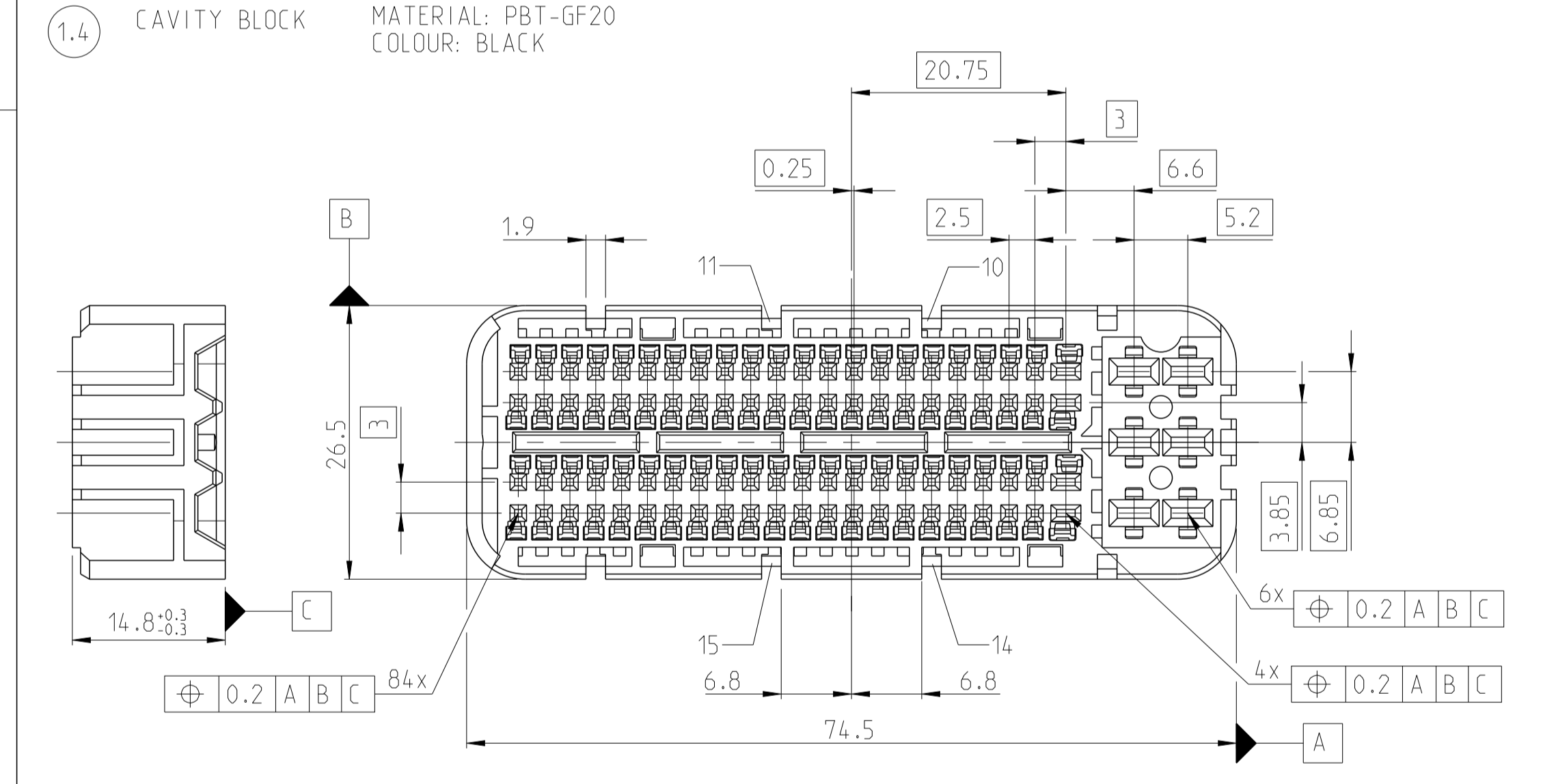
QTY.	QTY.	QTY.	QTY.	QTY.	QTY.	QTY.	PART-NO.	REV.	DESCRIPTION	ITEM
1		1					7-1670425-1	A	SHIELD. UNNIVERSAL	9
	1						1-1355133-1	B	LEVER	8
		1					7-1355132-1	A	SHIELD. 90° REV	7
			1				7-1394909-3	B	SHIELD. 180°	6
				1			7-1355132-2	A	SHIELD. 90°	5
					1		0-1394911-2	A	SHIELD. 45°	4
1	1	1	1	1	1		6-1355135-1/ 0-2437064-1	A	RETAINER. 6 POSN.	3
1	1	1	1	1	1		6-1355134-1/ 0-2437063-1	C	RETAINER. 88POSN.	2
1	1	1	1	1	1		0-2208284-X	B	CARRIER HSG.	1

QTY.	QTY.	QTY.	QTY.	QTY.	QTY.	QTY.	PART-NO.	REV.	DESCRIPTION	ITEM
X	X	X	X	X	X	X	X-2278874-6X-2278874-5X-2278874-4X-2278874-3X-2278874-2X-2278874-1	TE-REF.-NO.		
B	B	B	B	B	B	B	REV			

TOLERANCES UNLESS OTHERWISE SPECIFIED ACC. TO DIN 16901-140	ENTRICE TO NOMINAL DIMENSION, EDITION 1982-11. SHALL APPLY.	Freiheitsstufen nach DIN 16901-140. Es gilt die Ausgabe 1982-11.	DMN	J.ZONG	27Mar2023
THIS DRAWING IS A CONTROLLED DOCUMENT.		CHECKED	H.YE	27Mar2023	
DIMENSIONS AND TOLERANCING PER GPS (ISO STANDARDS)		APVD	S.W.ANG	27Mar2023	
DIMENSIONS:	TOLERANCES UNLESS OTHERWISE SPECIFIED	TE Connectivity			
mm	PLC	+	0	+	
	1 PLC	+	0	+	
	2 PLC	+	0	+	
	3 PLC	+	0	+	
	4 PLC	+	0	+	
	ANGLES	30°			
MATERIAL	TBD	WEIGHT	-		
FINISH	-	SCALE	1:1	SHEET	1 OF 3
Customer Drawing		REVISIONS	A1	C=2278874	REV B1



LOC	DIST	REV	DATE	BY	APPV
-	-	1	-	-	-
REVISIONS					
P		LTH		DESCRIPTION	
-	-	-		SEE SHEET 1	
DATE		BY		APPV	
-	-	-	-	-	-



TOLERANCES UNLESS OTHERWISE SPECIFIED ACC. TO DIN 16901-140@CENTRIC TO NOMINAL DIMENSION, EDITION 1982-11 SHALL APPLY. Freigabtoleranzen nach DIN 16901-140. Es gilt die Ausgabe 1982-11.

THIS DRAWING IS A CONTROLLED DOCUMENT. DIMENSIONING AND TOLERANCING PER GPS (ISO STANDARDS)

DATE: 27Mar2023  
BY: J.ZONG  
CHK: H.YE  
APPV: S.W.ANG  
PRODUCT SPEC

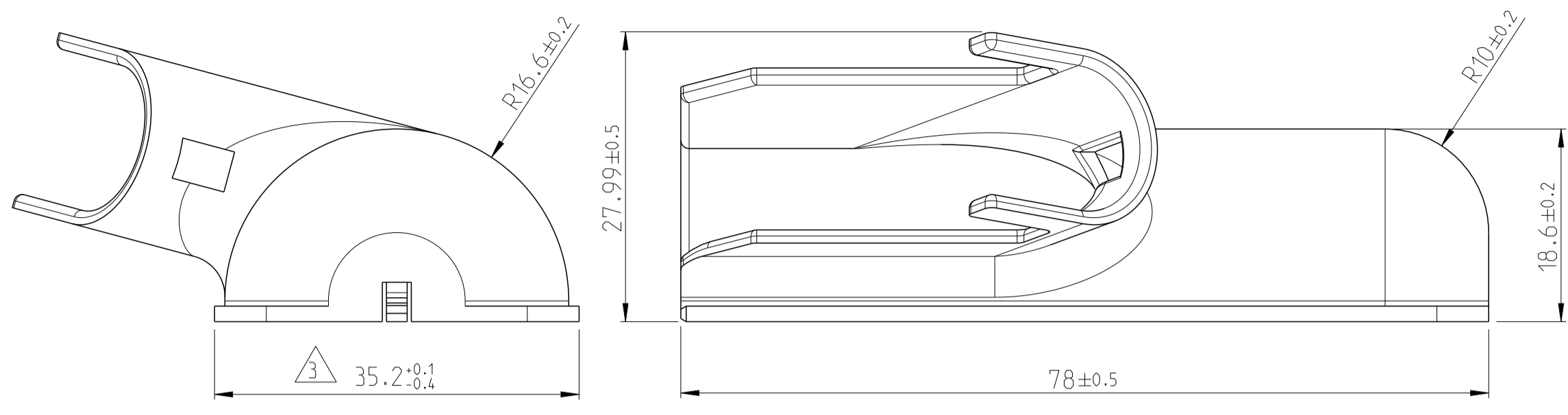
NAME: CONNECTOR HOUSING, 94POS  
MQS +1.5 Clear Body + MCP 2.8K

SIZE: A1  
CAGE CODE: -  
DRAWING NO: C=2278874  
SCALE: 2:1  
SHEET: 2 OF 3  
REV: B1

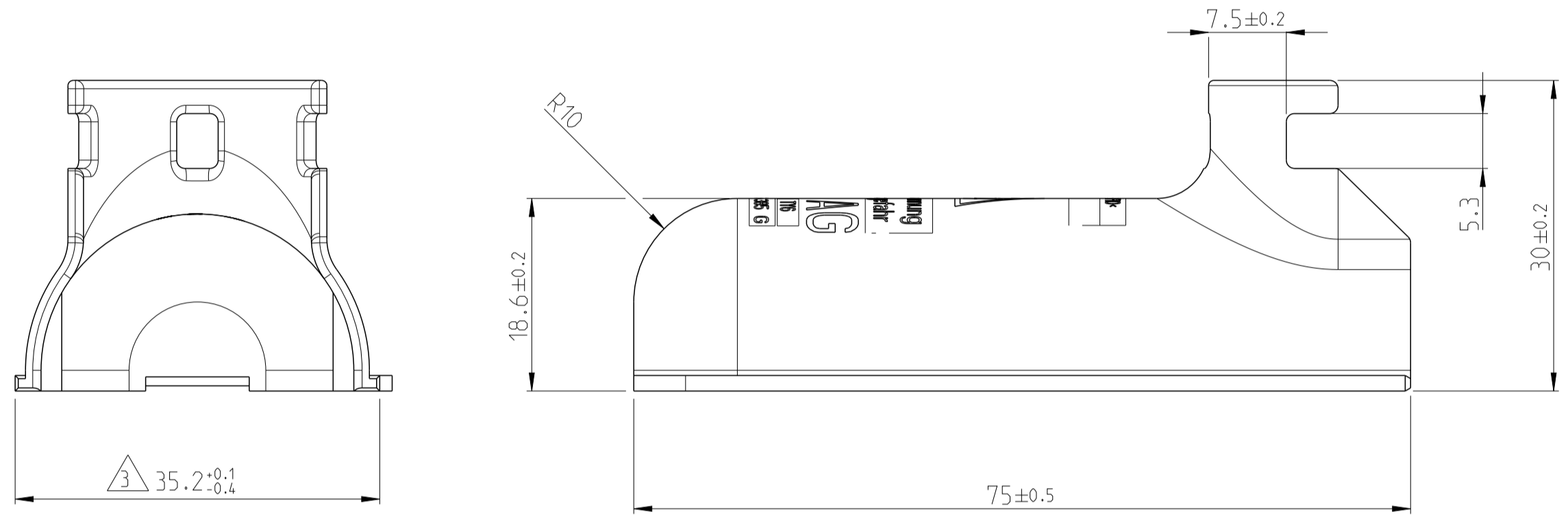
MATERIAL: TBD  
FINISH: -  
WEIGHT: -  
CUSTOMER DRAWING

TE Connectivity

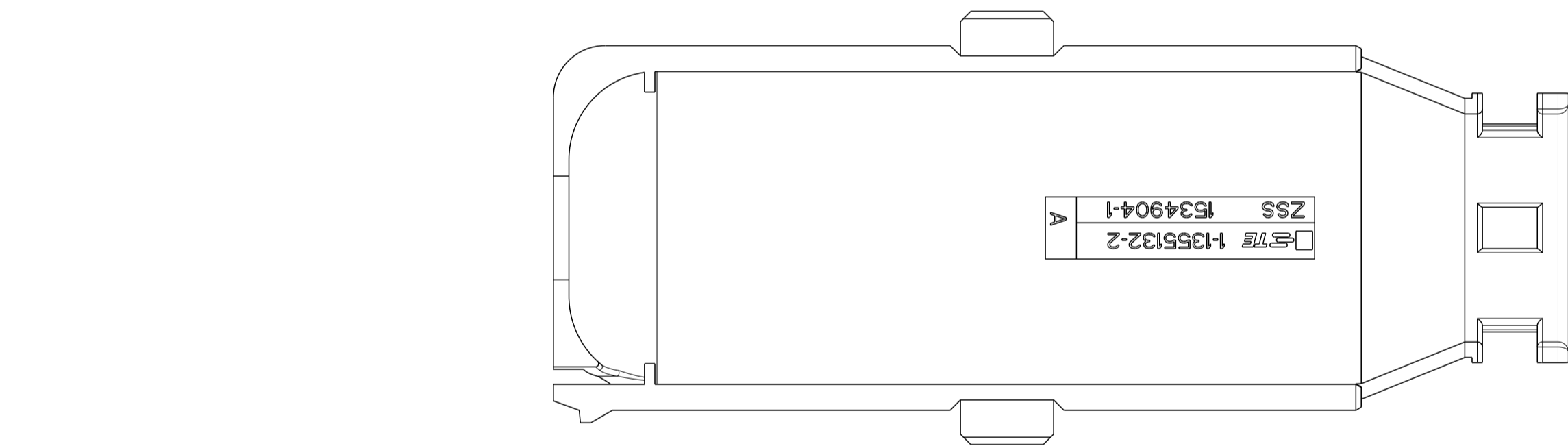
4 SHIELD, 45°  
 1394911-2  
 MATERIAL: PA66-GF13  
 COLOUR: BLACK



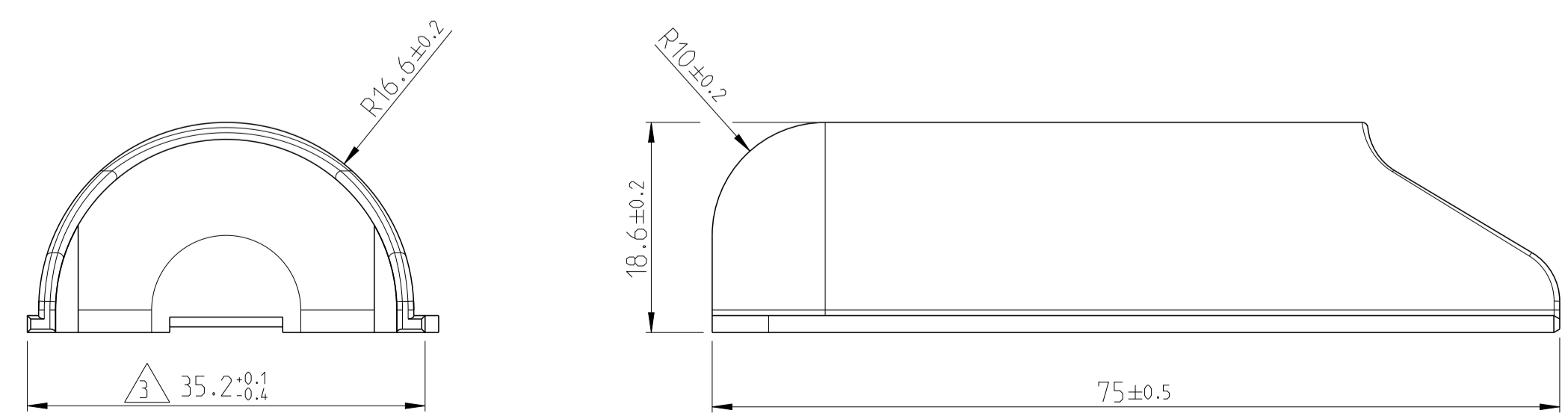
6 SHIELD, 180°  
 7-1394909-3  
 MATERIAL: PBT-GF10  
 COLOUR: BLACK



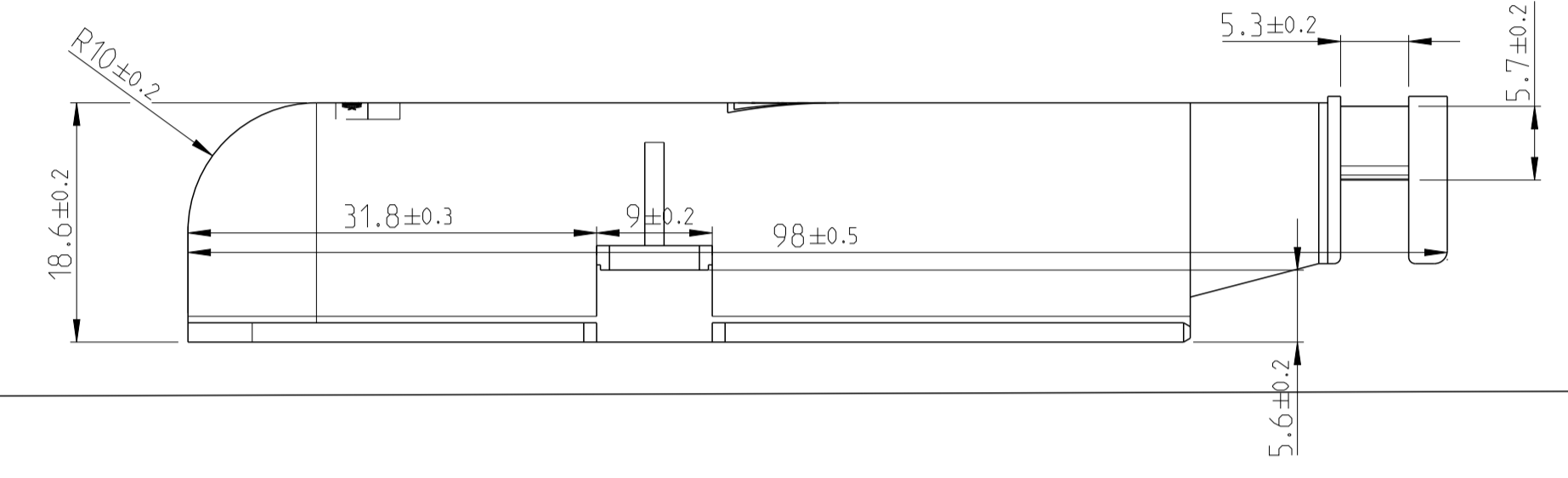
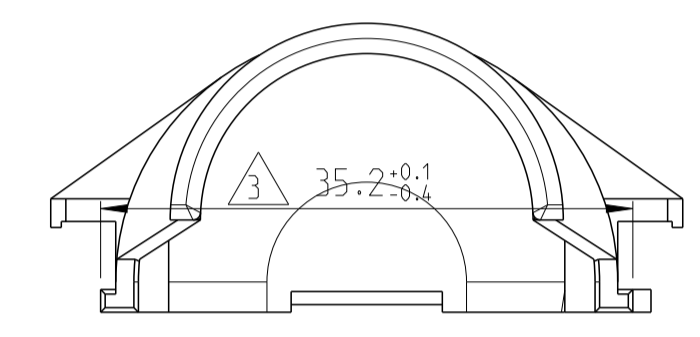
5 SHIELD, 90°  
 7-1355132-2  
 MATERIAL: PBT-GF10  
 COLOUR: BLACK



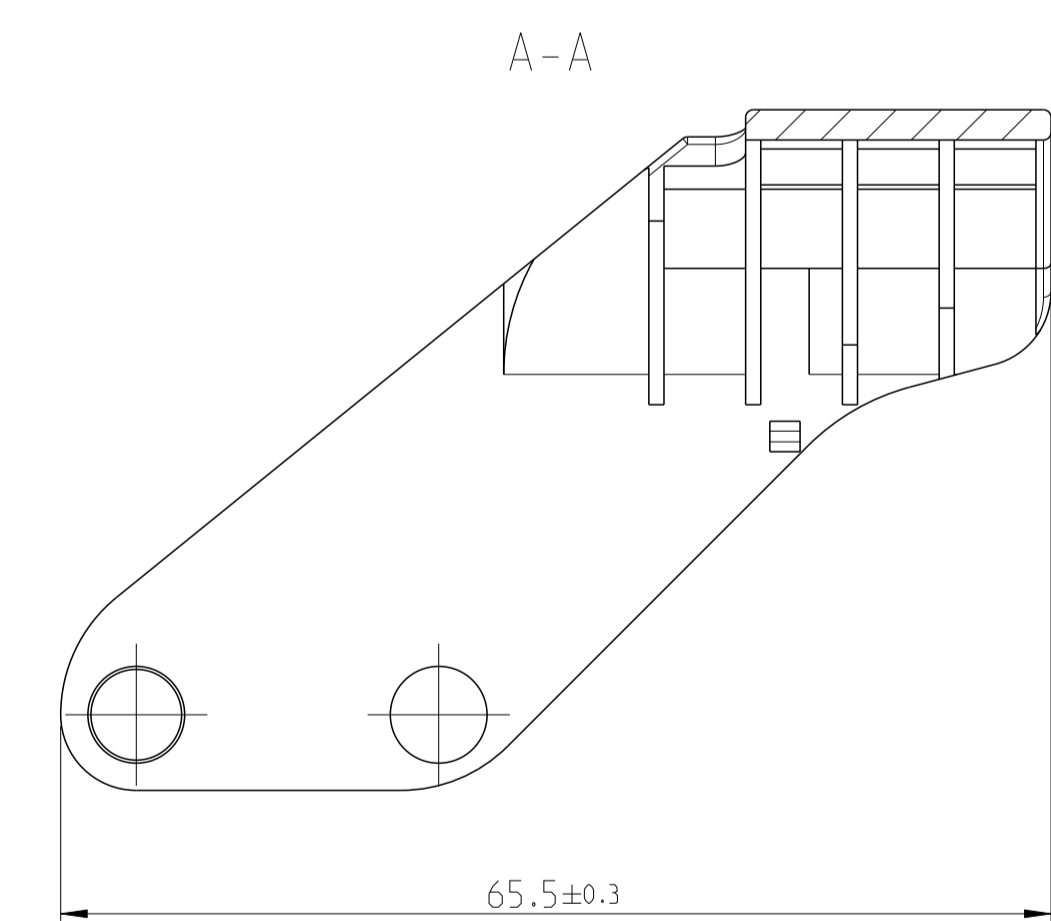
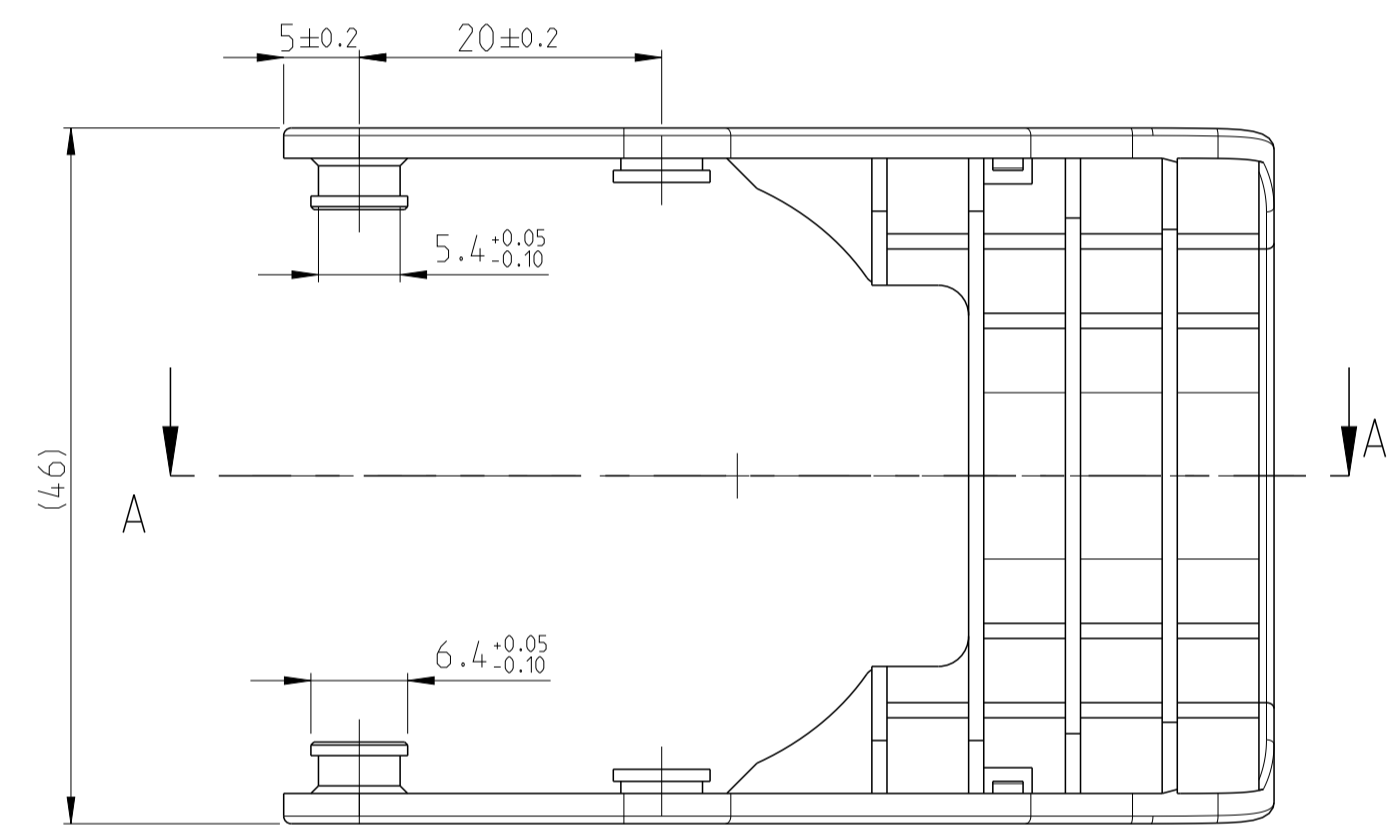
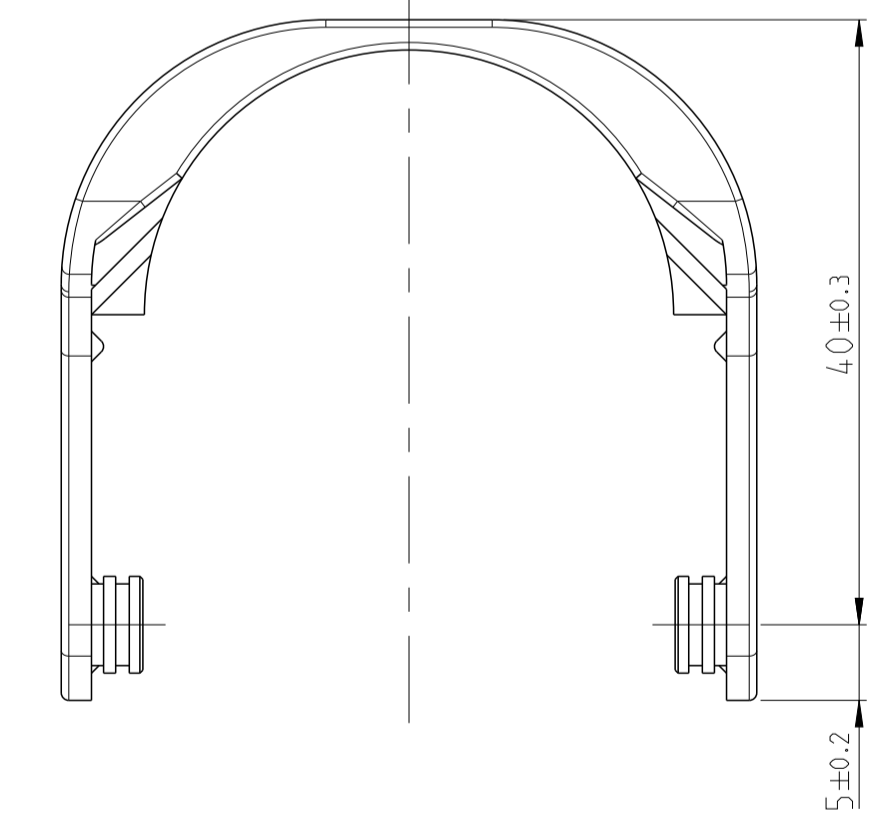
9 SHIELD, UNNIVERSAL  
 7-1670425-1  
 MATERIAL: PBT-GF10  
 COLOUR: BLACK



7 SHIELD, 90° REVERSE  
 7-1355132-1  
 MATERIAL: PBT-GF10  
 COLOUR: BLACK



8 LEVER FOR RECEPTACLE HOUSING  
 1-1355133-1  
 MATERIAL: PBT-GF30  
 COLOUR: BLACK



REVISIONS				
P.	LTN.	DESCRIPTION	DATE	OWN. APVD.
-	-	SEE SHEET 1	-	-

TOLERANCES UNLESS OTHERWISE SPECIFIED ACC. TO DIN 16901-140@ENTRICK TO NOMINAL DIMENSION, EDITION 1982-11 SHALL APPLY. Freimisstoleranzen nach DIN 16901-140. Es gilt die Ausgabe 1982-11.

THIS DRAWING IS A CONTROLLED DOCUMENT. DIMENSIONING AND TOLERANCING PER GPS (ISO STANDARDS).

DIMENSIONS:	TOLERANCES UNLESS OTHERWISE SPECIFIED	APVD	DATE	NAME
mm	0 PLC ±	J.ZONG	27Mar2023	J.ZONG
⊕	1 PLC ±	H.YE	27Mar2023	H.YE
	2 PLC ±	S.W.ANG	27Mar2023	S.W.ANG
	3 PLC ±			
	4 PLC ±			
	5 PLC ±			
	ANGLES FINISH			
	±0°			

MATERIAL	TBD	WEIGHT	-
Customer Drawing	SCALE	1:1	SHEET 3 OF 3

TE Connectivity  
 CONNECTOR HOUSING, 94POS  
 MQS +1.5 Clear Body + MCP 2.8K

SIZE: A1 CAGE CODE: - DRAWING NO: C=2278874 RESTRICTED TO: -  
 REV: B1