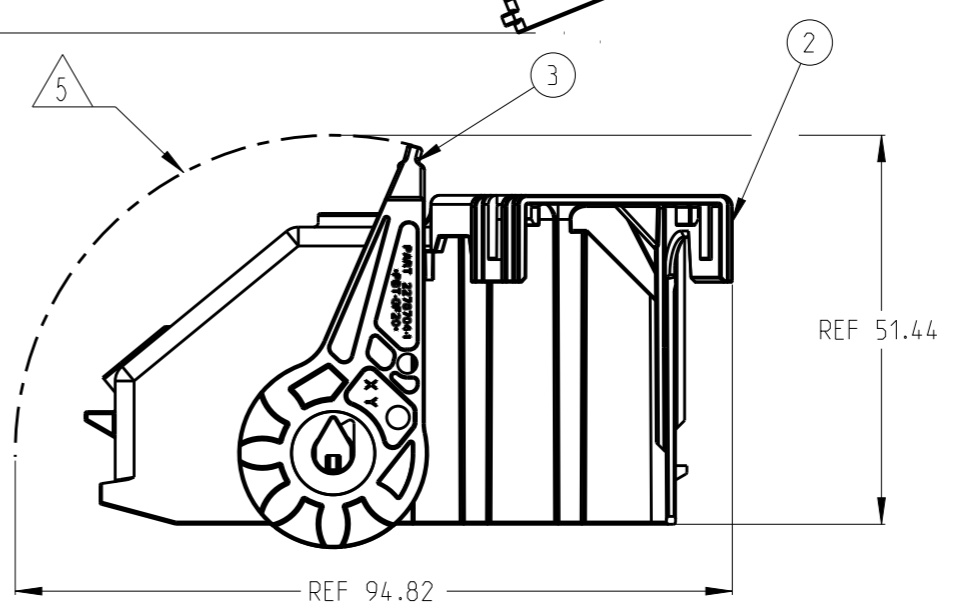
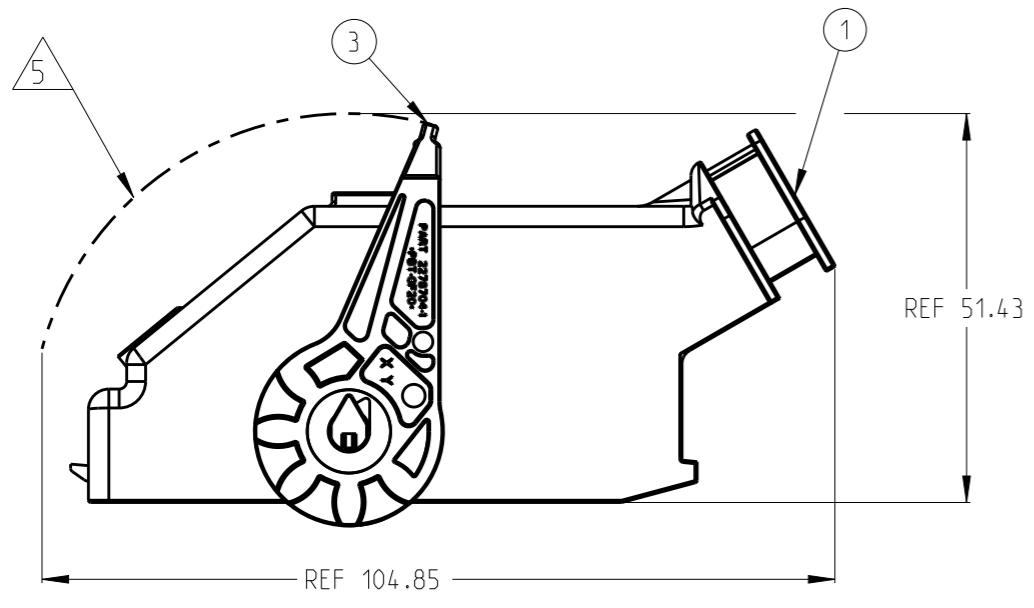
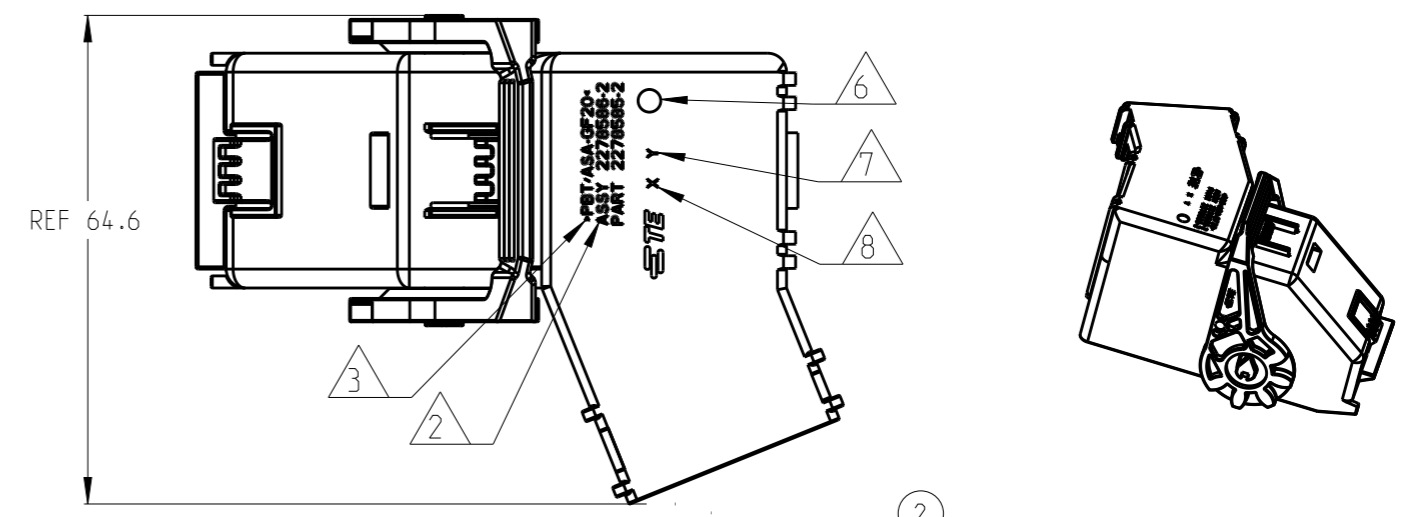
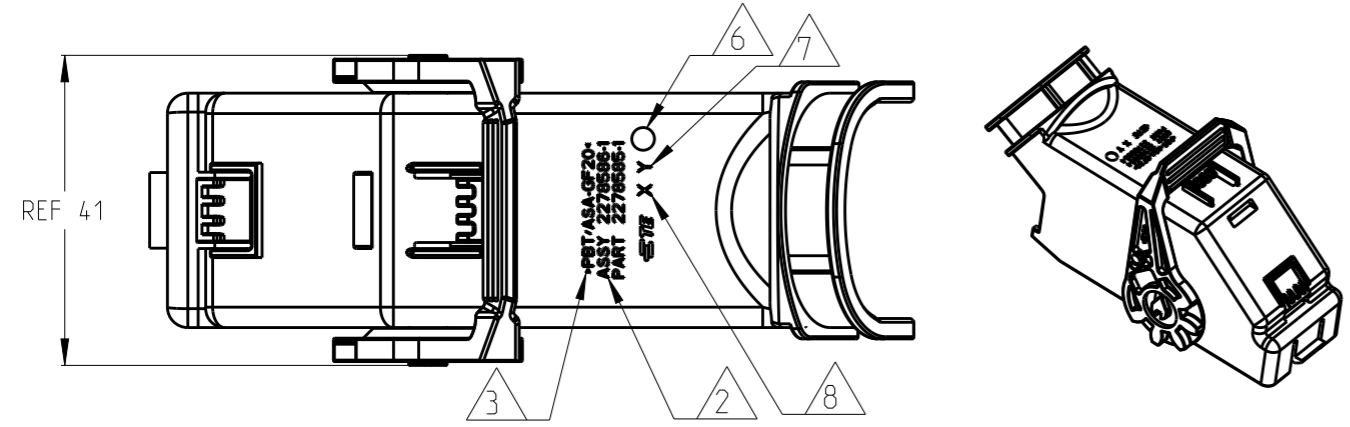


THIS DRAWING IS UNPUBLISHED. RELEASED FOR PUBLICATION 20
 © COPYRIGHT 20 BY - ALL RIGHTS RESERVED.

REVISIONS					
P	LTR	DESCRIPTION	DATE	DWN	APVD
	A	FIRST RELEASE	17AUG2015	D.D	SY.W



- 1. ASSY USED WITH TE P/N: 2278584-1; 2278584-2
- 2. TE ASSY P/N;
- 3. MATERIAL IDENTIFICATION;
- 4. ASSY DELIVERED WITH LEVER IN PRE LOCKED POSITION;
- 5. PROVIDE SPACE FOR LEVER MOVE;
- 6. DATE CODE;
- 7. CAVITY NUMBER;
- 8. REVISION NUMBER;

ASSY P/N	2278586-1	2278586-2	Q'TY	COLOR	MATERIAL	DESCRIPTION	ITEM
	1	1		RED	PBT-GF20	67 POS LEVER WITH CHAMFER	3
		1		BLACK	PBT/ASA-GF20	67 POS COVER FOR 45°	2
	1			BLACK	PBT/ASA-GF20	67 POS COVER FOR 180°	1

THIS DRAWING IS A CONTROLLED DOCUMENT.		DWN D.DING 17AUG2015	TE Connectivity													
DIMENSIONS: mm		CHK G.ZHU 17AUG2015														
TOLERANCES UNLESS OTHERWISE SPECIFIED:		APVD SY.WANG 17AUG2015														
<table border="1"> <tr><td>0 PLC</td><td>±0.1</td></tr> <tr><td>1 PLC</td><td>±0.1</td></tr> <tr><td>2 PLC</td><td>±0.1</td></tr> <tr><td>3 PLC</td><td>±0.1</td></tr> <tr><td>4 PLC</td><td>±0.1</td></tr> <tr><td>ANGLES</td><td>±2°</td></tr> <tr><td>FINISH</td><td>-</td></tr> </table>		0 PLC			±0.1	1 PLC	±0.1	2 PLC	±0.1	3 PLC	±0.1	4 PLC	±0.1	ANGLES	±2°	FINISH
0 PLC	±0.1															
1 PLC	±0.1															
2 PLC	±0.1															
3 PLC	±0.1															
4 PLC	±0.1															
ANGLES	±2°															
FINISH	-															
MATERIAL SEE TABLE		Customer Drawing	NAME 67 POS COVER ASSY SIZE A3 CAGE CODE 00779 DRAWING NO C-2278586 RESTRICTED TO -													
SCALE 1:1			SHEET 1 OF 1	REV A												