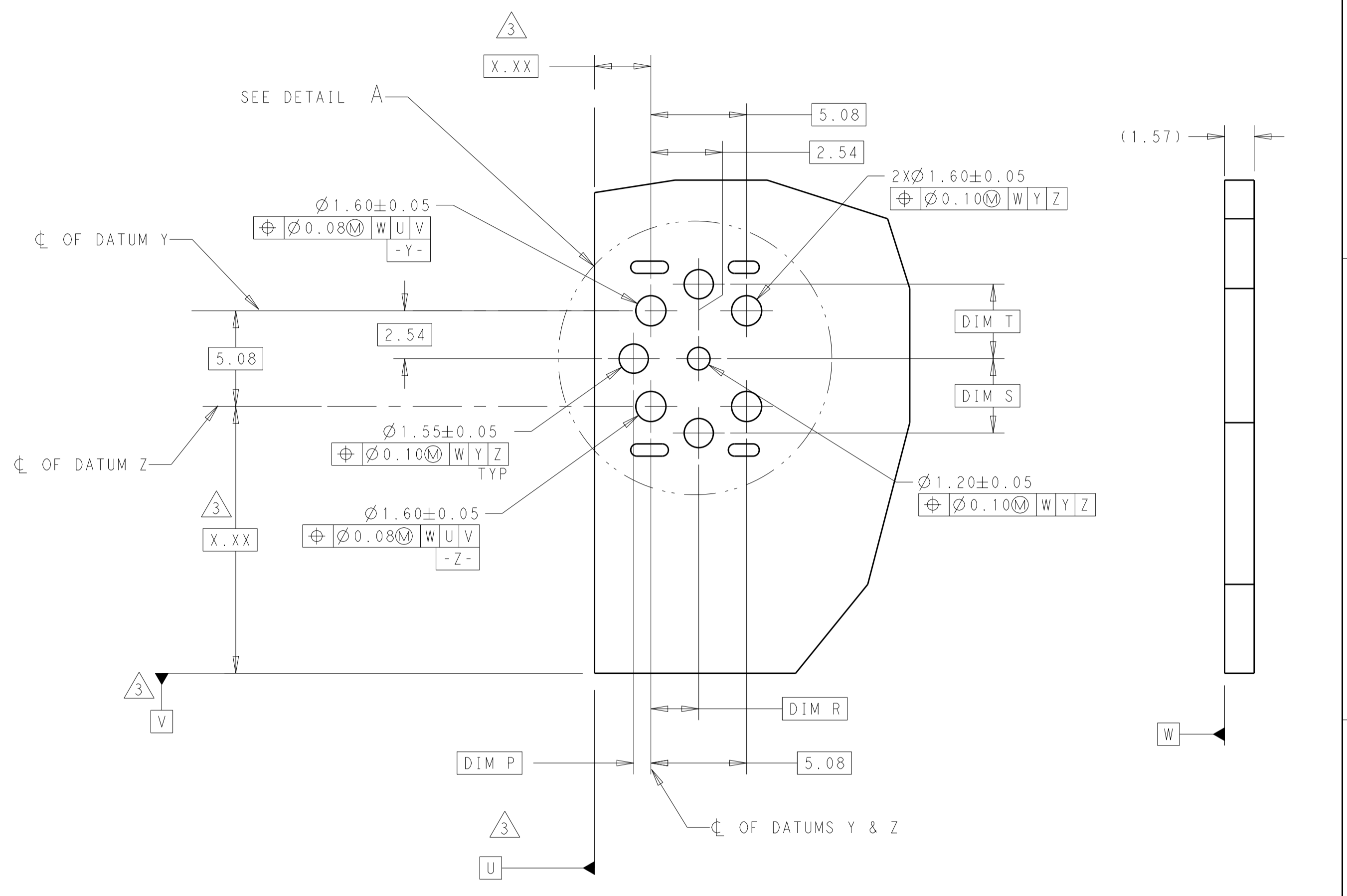
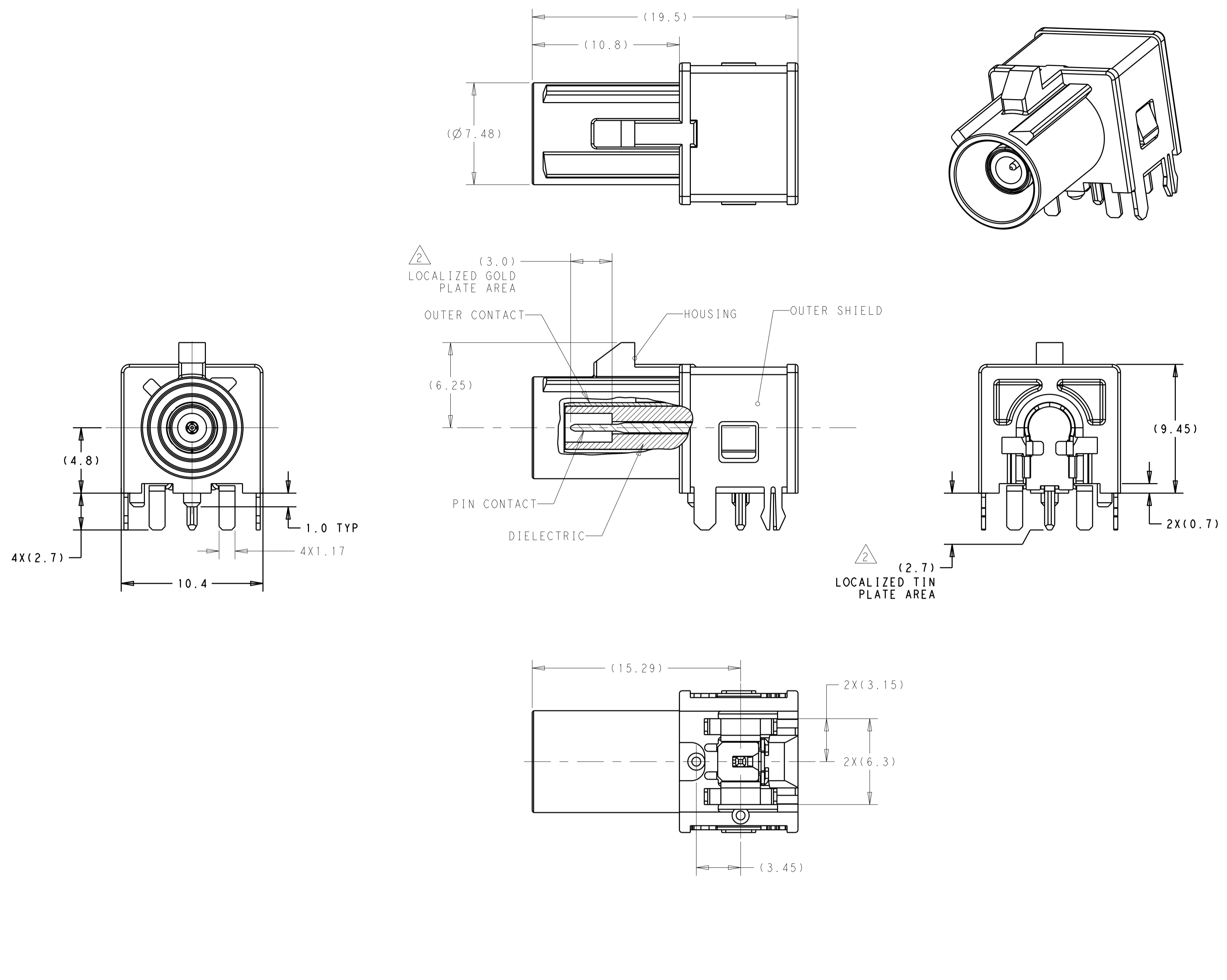
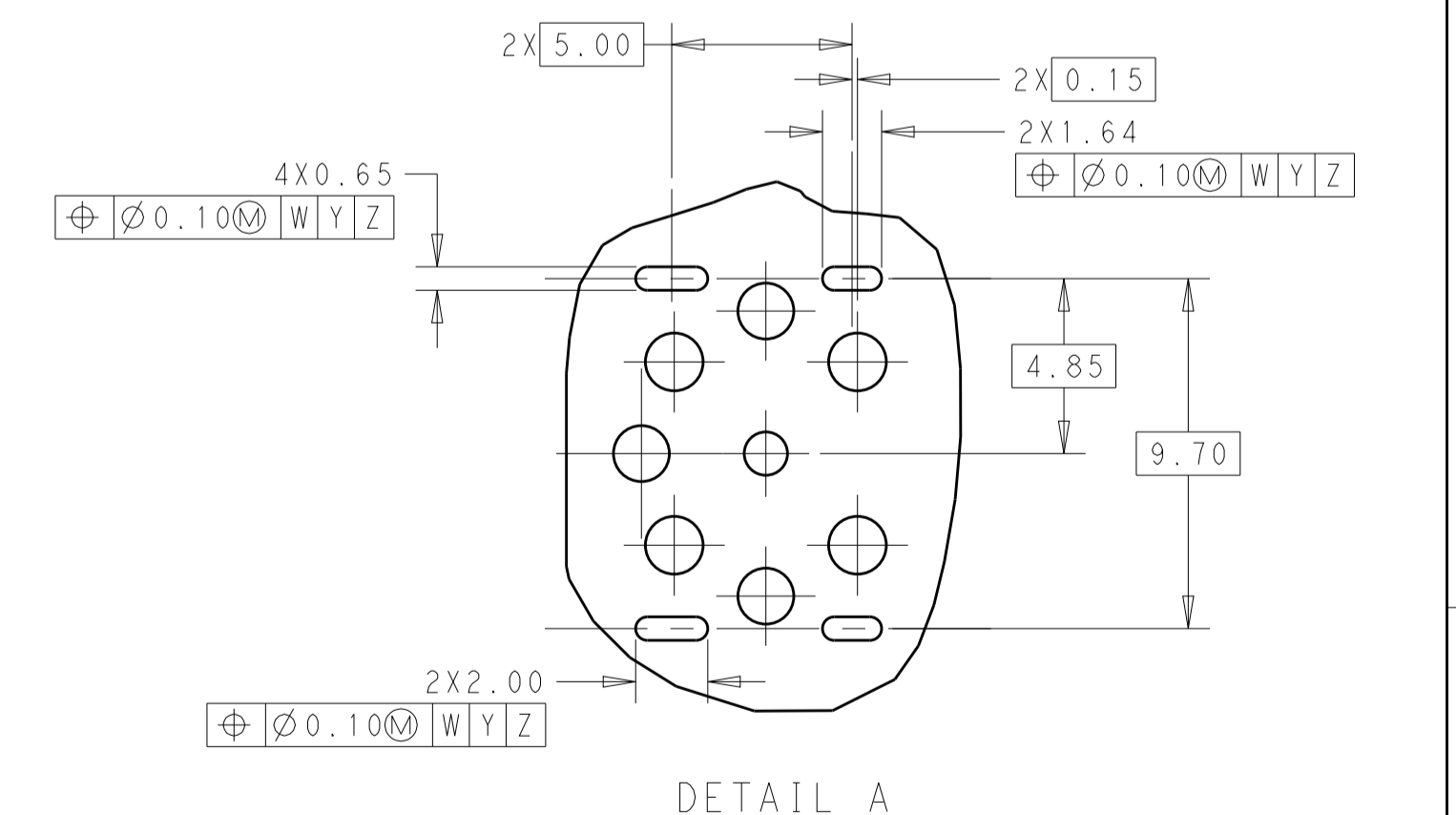


REVISIONS				
P.	LTM	DESCRIPTION	DATE	APVD
A		INITIAL RELEASE	29SEP2014	DZ PW

- 1 HOUSING - PA6T, COLOR: SEE TABLE.
DIELECTRIC - POLYESTER PCT, NATURAL.
PIN CONTACT & OUTER CONTACT - BRASS.
OUTER SHIELD - BRASS.
- 2 PIN CONTACT - 0.38µm MIN GOLD IN LOCALIZED GOLD PLATE AREA,
2.5µm MIN TIN IN LOCALIZED TIN PLATE AREA,
BOTH OVER 2.0µm MIN NICKEL.
OUTER CONTACT & OUTER SHIELD - 2.5µm MIN TIN OVER 2.0µm MIN NICKEL.
- 3 DATUMS AND BASIC DIMENSIONS ESTABLISHED BY CUSTOMER.
- 4 JACK INTERFACE PER DIN 72594-1, ROAD VEHICLES 50 Ohm
RADIO FREQUENCY INTERFACE.



KEY CODE TABLE							
2278436-1	CODE A	2278436-2	CODE B	2278436-3	CODE C	2278436-4	CODE D
LEFT POST		LEFT POST		LEFT POST		CENTER POST	RIGHT POST
				CENTER POST			



-	3.95	2.54	0.71	BORDEAUX VIOLET	D	2278436-4
3.95	-	2.54	1.31	SIGNAL BLUE	C	2278436-3
3.95	3.95	2.54	-	SIGNAL WHITE	B	2278436-2
3.95	-	2.54	0.71	JET BLACK	A	2278436-1
T	S	R	P	HOUSING COLOR	KEYING CODE	PART NUMBER

THIS DRAWING IS A CONTROLLED DOCUMENT. DWG: D_ZHU 19JUN2014
 CHK: P_WU 19JUN2014
 APVD: P_WU 19JUN2014

STE TE Connectivity

NAME: JACK ASSEMBLY, RIGHT ANGLE, PANEL MOUNT, PCB, FAKRA

PRODUCT SPEC: -
 APPLICATION SPEC: -

SIZE: A1 00779 C=2278436
 CAGE CODE: -
 DRAWING NO: 2278436

RESTRICTED TO: -

MATERIAL: -
 FINISH: -

WEIGHT: -
 Customer Drawing

SCALE: 5:1 SHEET 1 OF 1 REV A