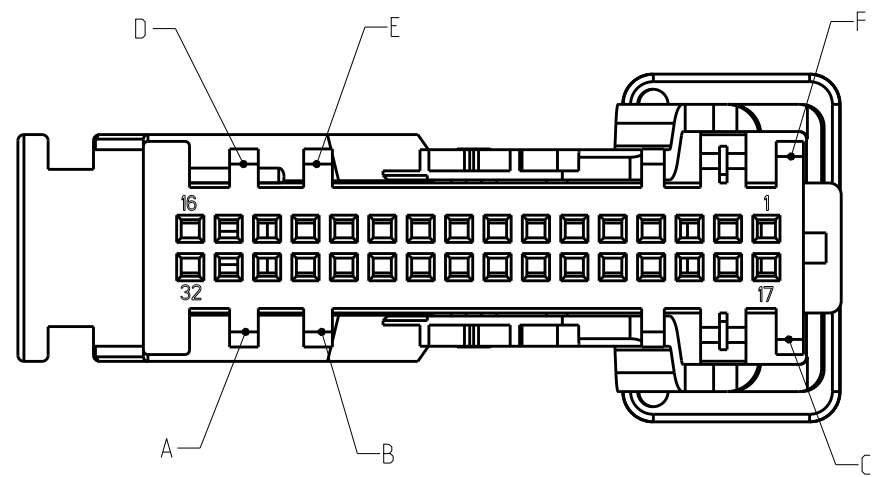
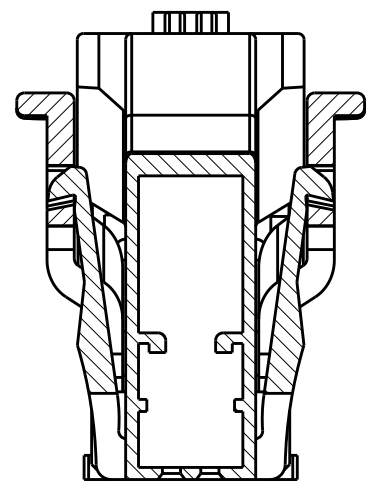


THIS DRAWING IS UNPUBLISHED. RELEASED FOR PUBLICATION 20  
 © COPYRIGHT 2014 BY TE Connectivity ALL RIGHTS RESERVED.

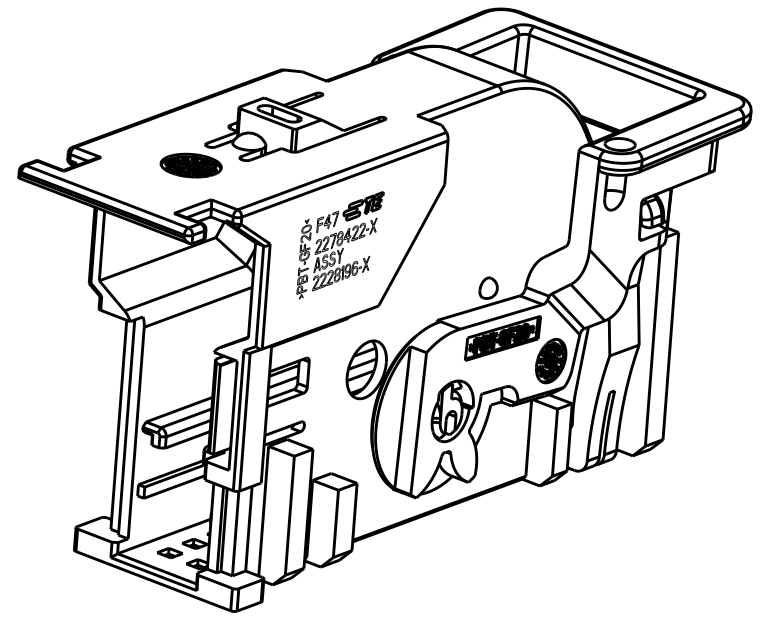
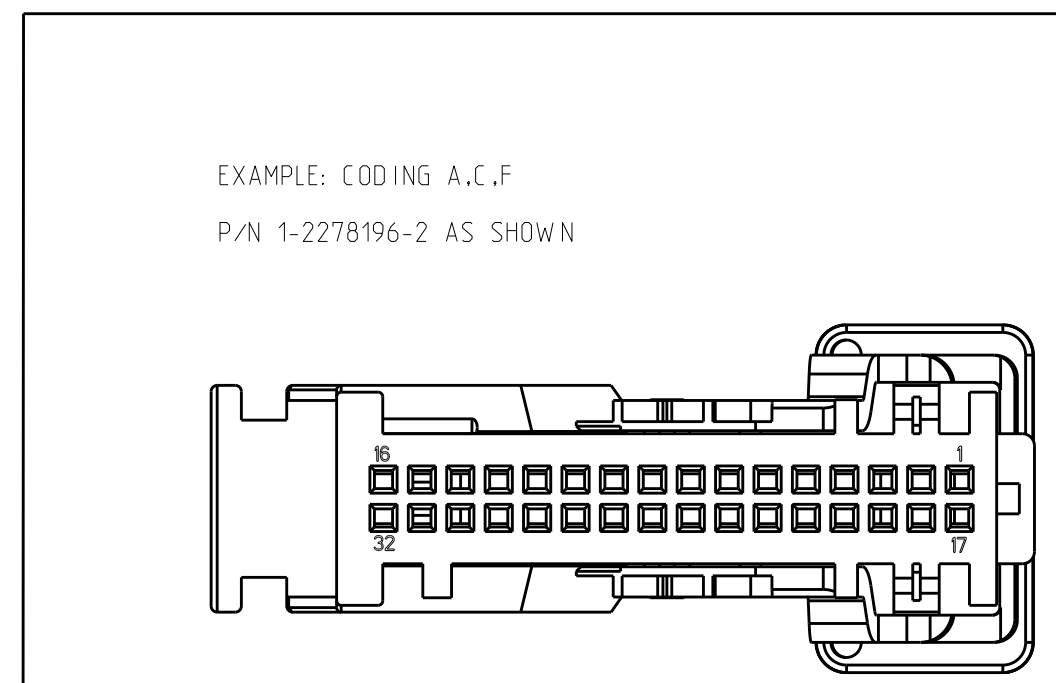
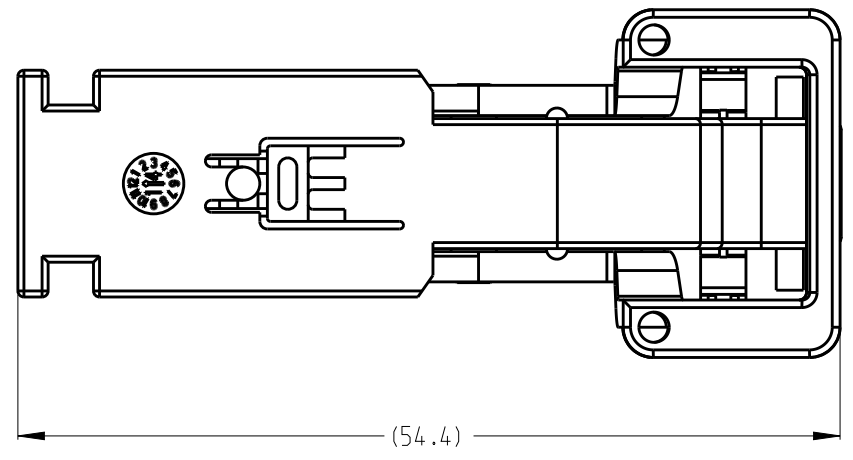
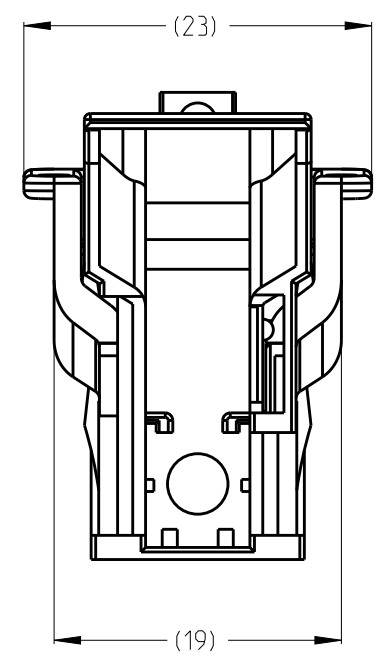
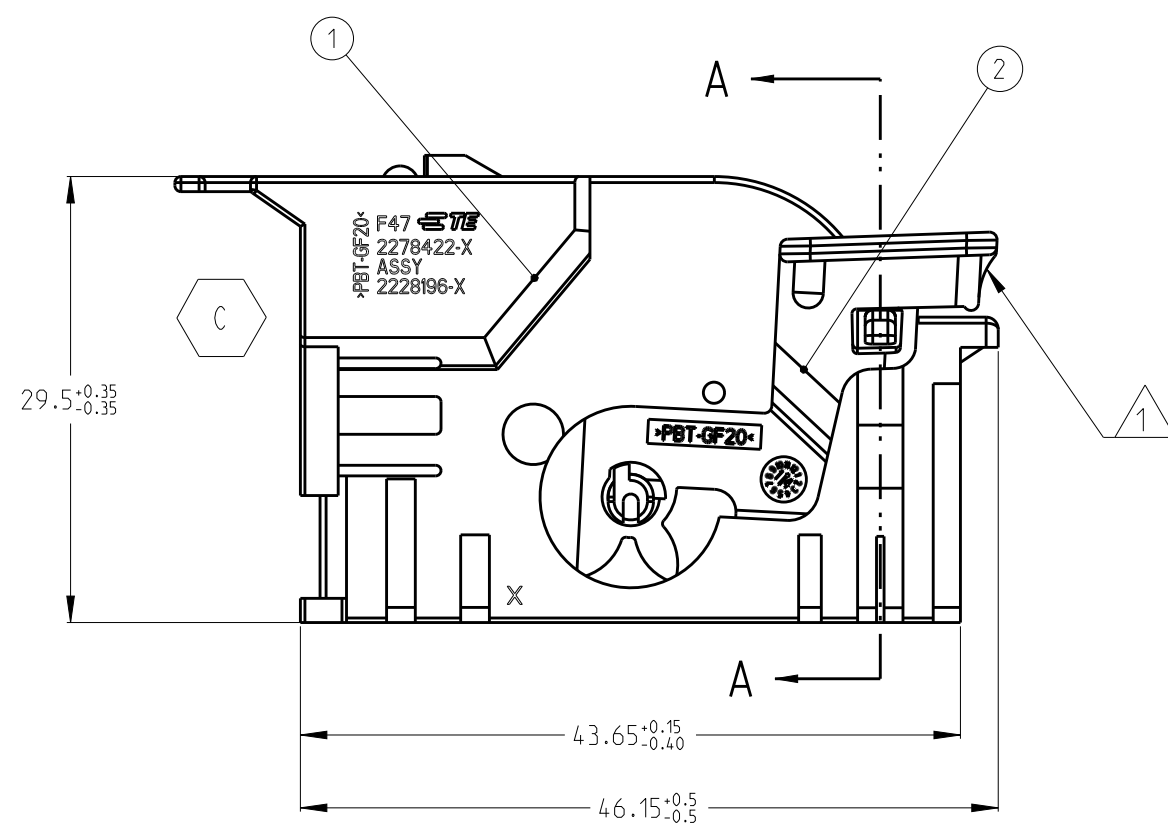
REVISIONS					
P	LTR	DESCRIPTION	DATE	DWN	APVD
A		NEW PRODUCT RELEASED	27MAY2014	T.D	I.Y
B		ECR-14-009037	17JUN2014	T.D	S.W
C		ECR-19-005711	09AUG2019	J.L	I.Y



- NOTE
- 1 LEVER MUST ASSEMBLED IN PRE-LOCK POSITION
  - 2. USED WITH SOCKET 1719059, SEE 2278195
  - 3. PACKAGING: LOOSE PIECE IN BOX
  - 4 TOLERANCE UNLESS OTHERWISE ACC. TO DIN 16901-120



SECTION A-A



TE-ASSY NO.	TE-PART NO.	CODING	MATERIAL	COLOR	RAL	DESCRIPTION	QTY.	ITEM NO.
1-2278196-5	2278197-1	B,D,F	PBT-GF20	VIOLET	4006	LEVER	1	2
	1-2278422-5		PBT-GF20	SALMON PINK	3022	COVER	1	1
1-2278196-4	2278197-1	B,C,F	PBT-GF20	VIOLET	4006	LEVER	1	2
	1-2278422-4		PBT-GF20	RED	3000	COVER	1	1
1-2278196-3	2278197-1	A,B,F	PBT-GF20	VIOLET	4006	LEVER	1	2
	1-2278422-3		PBT-GF20	BROWN	1011	COVER	1	1
1-2278196-2	2278197-1	A,C,F	PBT-GF20	VIOLET	4006	LEVER	1	2
	1-2278422-2		PBT-GF20	GREY	7036	COVER	1	1
1-2278196-1	2278197-1	A,E,F	PBT-GF20	VIOLET	4006	LEVER	1	2
	1-2278422-1		PBT-GF20	BLUE	5012	COVER	1	1
2278196-5	2278197-1	A,D,F	PBT-GF20	VIOLET	4006	LEVER	1	2
	2278422-5		PBT-GF20	PURPLE	4006	COVER	1	1
2278196-4	2278197-1	B,C,E	PBT-GF20	VIOLET	4006	LEVER	1	2
	2278422-4		PBT-GF20	ORANGE	2004	COVER	1	1
2278196-3	2278197-1	B,C,D	PBT-GF20	VIOLET	4006	LEVER	1	2
	2278422-3		PBT-GF20	BLACK	9011	COVER	1	1
2278196-2	2278197-1	A,C,E	PBT-GF20	VIOLET	4006	LEVER	1	2
	2278422-2		PBT-GF20	GREEN	6018	COVER	1	1
2278196-1	2278197-1	A,C,D	PBT-GF20	VIOLET	4006	LEVER	1	2
	2278422-1		PBT-GF20	YELLOW	1018	COVER	1	1

THIS DRAWING IS A CONTROLLED DOCUMENT.

DWN: T.DONG 19MAY2014  
 CHK: A.DANG 23MAY2014  
 APVD: J.YIN 27MAY2014

TE Connectivity

COVER ASSY, 2X16 POSN., MQS

SIZE: A2 CAGE CODE: 00779 DRAWING NO: C-2278196 RESTRICTED TO: -

SCALE: 1:1 SHEET: 1 OF 1 REV: C

Customer Drawing