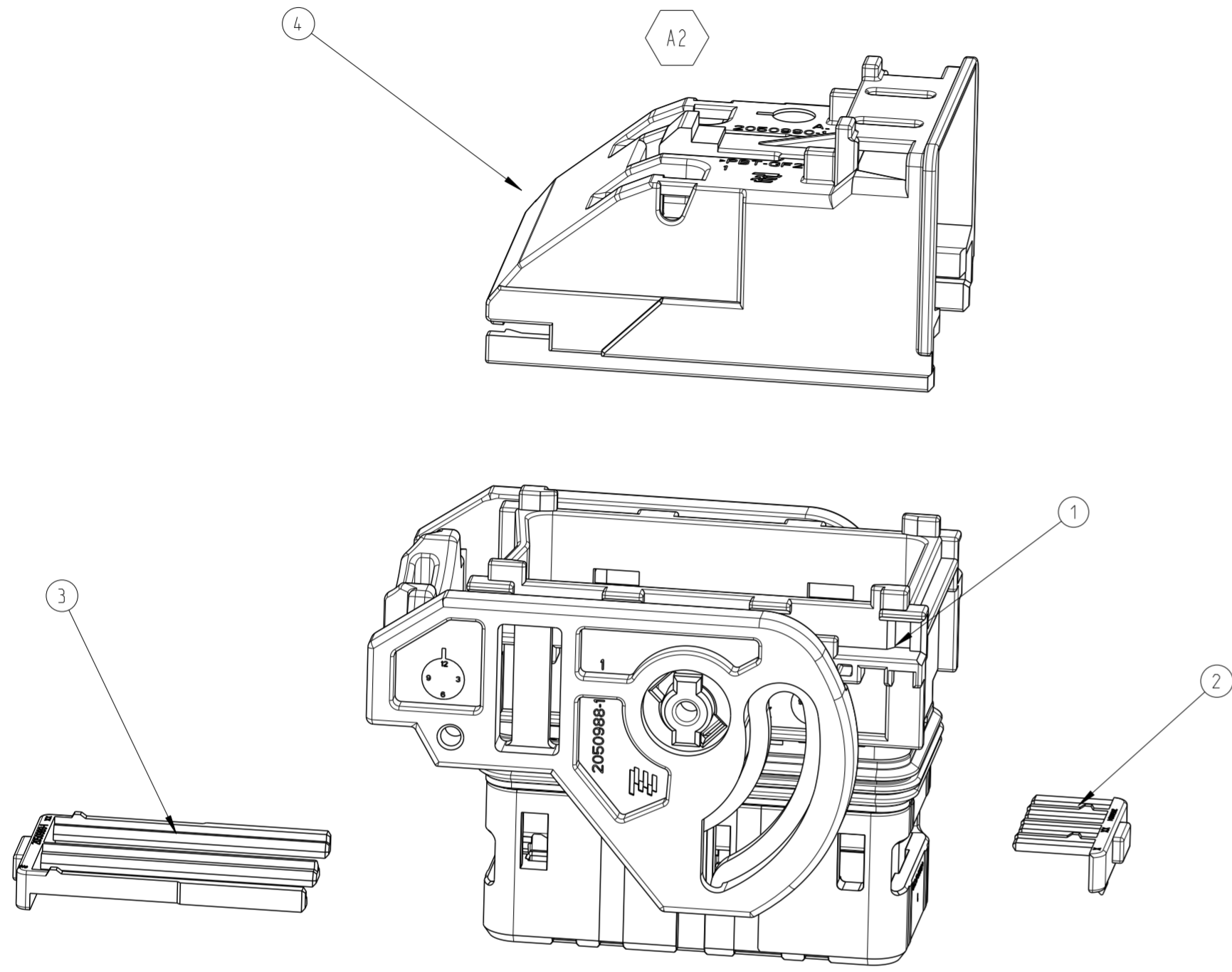
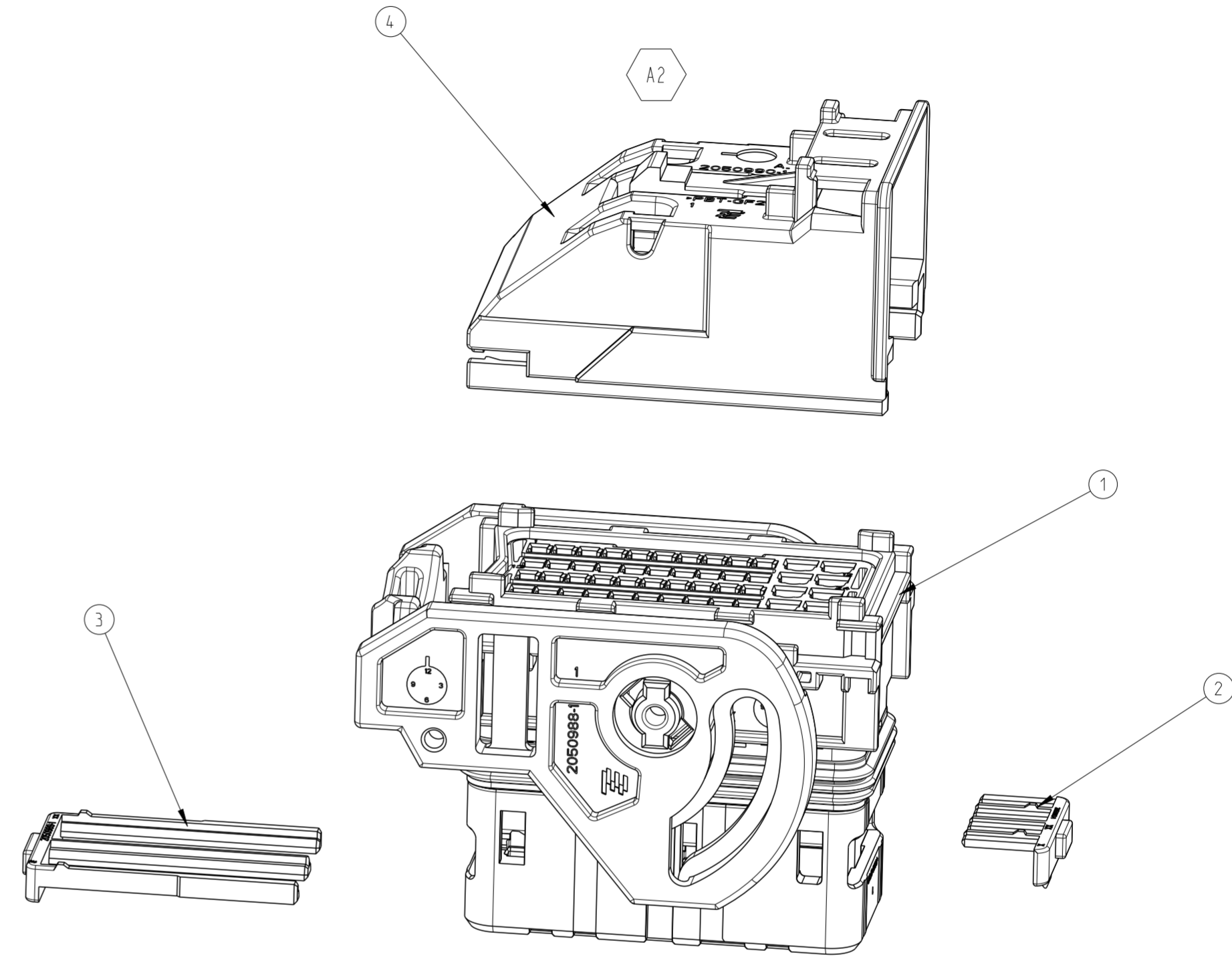


THIS DRAWING IS UNPUBLISHED. RELEASED FOR PUBLICATION
 © COPYRIGHT copyright_date BY -TE CONNECTIVITY ALL RIGHTS RESERVED.

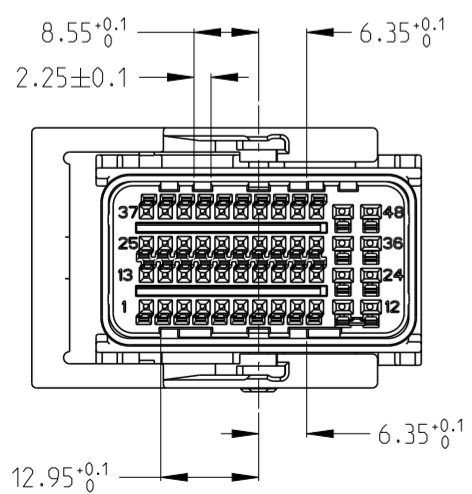
REVISIONS					
P	LTR	DESCRIPTION	DATE	DWN	APVD
A		RELEASE	21JUL2014	F.W	SY.W
A1		ECR-15-015278	19OCT2015	L.D	SY.W
A2		ECN-22-142480 (DRAWING UPDATE)	09MAR2022	J.L	J.Z



SCALE 2:1
2278187-1



SCALE 2:1
2278187-2



CODING 1
BLACK
LEVER LEFT
WIRE EXIT RIGHT

NOTES:

1. THE QUANTITY OF COMPONENT PARTS TO BE PACKAGED TOGETHER IN A SHIPPING BOX SHOULD BE EQUAL.
2. THE CONNECTOR HAS A SEALED VERSION, SEE TE GROUP DRAWING 2050981.
3. APPLICABLE TERMINALS:

TERMINALS				
968220-1	PRE-TIN	0.35-0.5	Ø1.2-1.6	
968221-1	PRE-TIN	0.5-0.75	Ø1.4-1.9	
638652-2	PRE-TIN	0.5-1.0	Ø1.4-2.1	
638652-1	PRE-TIN	1.0-1.5	Ø1.9-2.4	
TERMINALS	FINISH	WIRE SIZE (mm ²)	OD (mm)	

1	1	2050990-1	COVER	4
1	1	2050989-1	SECOND LOCK MQS	3
1	1	2050013-1	SECOND LOCK 1.5	2
1		2278581-2	48P.MIXED HOUSING ASSY CODE 1, BLACK, NON-SEAL	1
	1	2278581-1	48P.MIXED HOUSING ASSY CODE 1, BLACK, NON-SEAL	1
2278187-2		2278187-1	PART NO.	DESCRIPTION
			PACKAGING PART NO. AND QTY	ITEM

THIS DRAWING IS A CONTROLLED DOCUMENT.		DWN F.WANG 21-Jul-14	TE Connectivity 48POS.MIXED PLUG ASSY - NON-SEAL		
DIMENSIONS: mm		CHK A.DANG 21-Jul-14			
TOLERANCES UNLESS OTHERWISE SPECIFIED:		APVD SY.WANG 21-Jul-14			
0-PLC ± 1-PLC ±0.5 2-PLC ±0.25 3-PLC ±0.13 4-PLC ±0.001 ANGLES ± FINISH ±		PRODUCT SPEC 108-101333 APPLICATION SPEC - WEIGHT - Customer Drawing			
MATERIAL			NAME	SIZE	RESTRICTED TO
			A2	CAGE CODE	DRAWING NO
				SCALE	1:1
				SHEET	1 OF 1
				REV	A2