

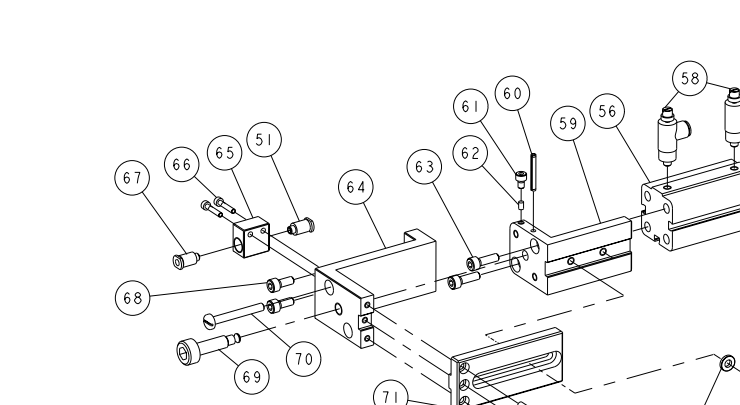
THIS DRAWING IS UNPUBLISHED. RELEASED FOR PUBLICATION 20

COPYRIGHT 20

ALL RIGHTS RESERVED.

CRIMPING DATA (DADOS DE GRAMPEAÇÃO)

Table with crimping data including terminal name (MCON - 1.2 CB), disc letter (A, B, C, D), crimp height (1.36 mm), wire size (1.50 mm²), wire strip length (3.30 mm), and terminal specifications.



- NOTE: 1 - GUARD MUST BE IN PLACE WHEN OPERATING APPLICATOR IN BENCH PRESS. 2 - ONLY THE ITEMS WITH QUANTITY ARE USED ON THIS APPLICATOR. 3 - TO CONVERT THE APPLICATOR TO A NON-CARRIER CUTTING STYLE, REMOVE ITEMS 139 & 140. 4 - TERMINAL SUPPORT LOCATION.

- KEYS: □ - SPARE PARTS RECOMMENDED. ▢ - GREASY LIGHTLY. NOTAS: 1 - USAR PROTEÇÃO QUANDO FOR USADO EM PRENSA DE BANCADA. 2 - APENAS OS ITENS COM QUANTIDADES ESPECIFICADAS SÃO USADOS NESTE APLICADOR. 3 - PARA "NÃO" CORTAR A FITA DO CARRIER, REMOVA OS ITENS 139 E 140. 4 - LOCALIZAÇÃO SUPORTE TERMINAL.

- RECOMENDAÇÕES: □ - PEÇAS DE DESGASTE O CLIENTE SERÁ RESPONSÁVEL PELA REPOSIÇÃO. ▢ - ENGRAXAR LEVEMENTE.

Table with application kit information: 7-2276080-1 KIT DE APLICAÇÃO, 3-2276080-1 APLICADOR MINI PNEUMÁTICO COM DISCO DE AJUSTE FINO, 2276080-1 APLICADOR MINI PNEUMÁTICO COM DISCO DE AJUSTE NORMAL.

Large parts list table with columns for QTY PER ASS'Y, PART NUMBER, DESCRIPTION, and ITEM. Includes a detailed list of components like screws, washers, pins, and springs.

Technical drawing details including dimensions (0.00), material, finish, and a table with drawing information: NAME PNEUMATIC MINI APPLICATOR (SW) (METRIC), SIZE A200779, DRAWING NO C=2276080, SCALE 3:1, SHEET 1 OF 1, REV A.

REVISIONS table with columns for P, LTR, DESCRIPTION, DATE, DWN, and APVD. Shows revision 1: RELEASED on 27NOV2014 by DSO and CCL.