

THIS DRAWING IS UNPUBLISHED.

RELEASED FOR PUBLICATION

-. -. .

LOC

DIST

REVISIONS

© COPYRIGHT - By -

ALL RIGHTS RESERVED.

H

-

P

LTR

DESCRIPTION

DATE

DWN

APVD

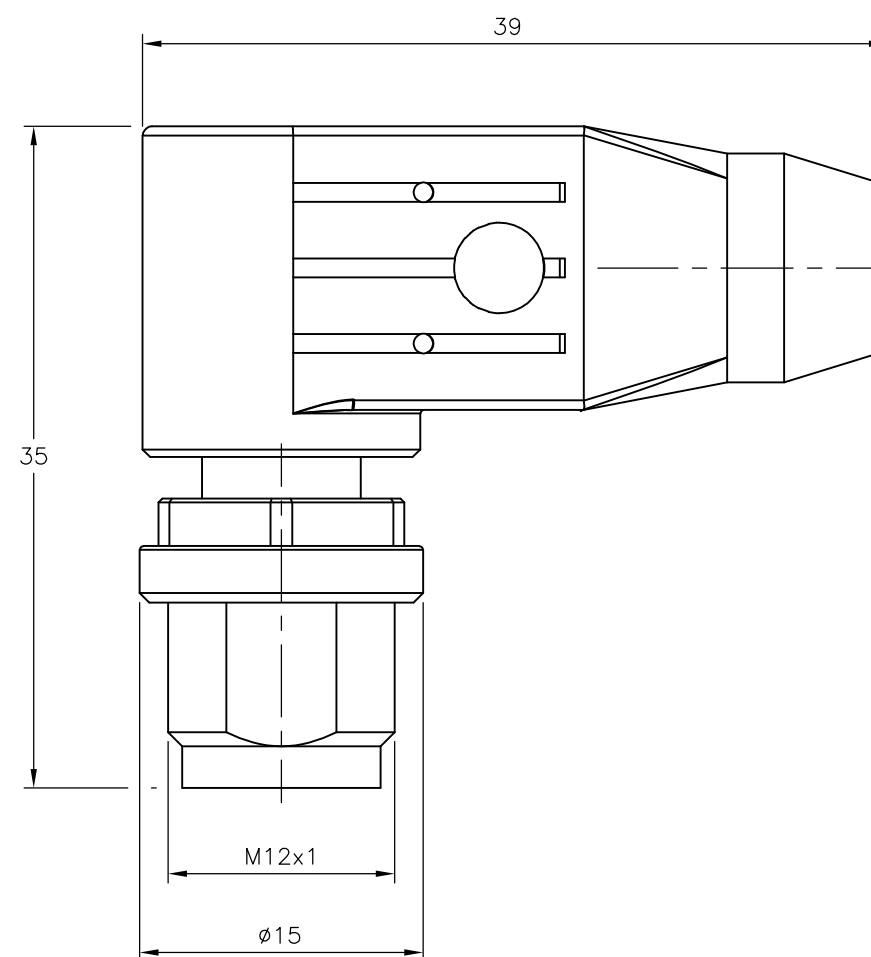
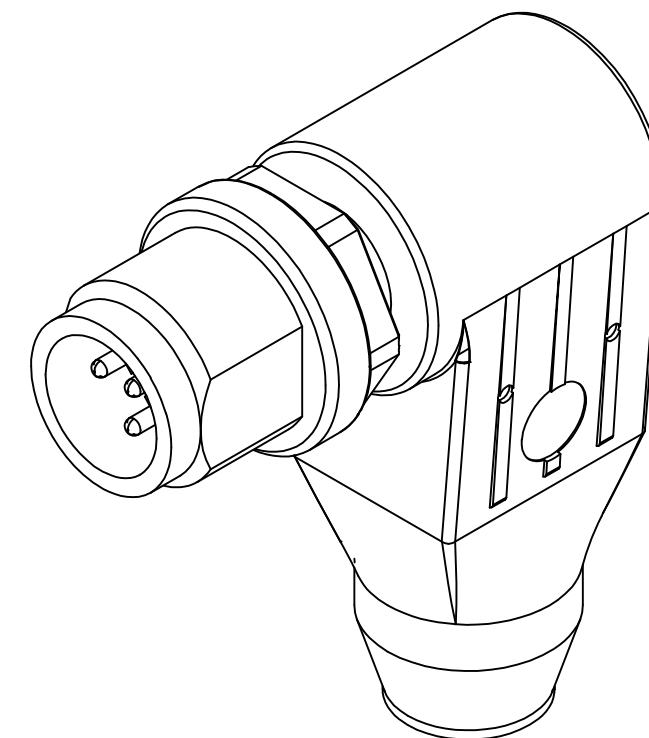
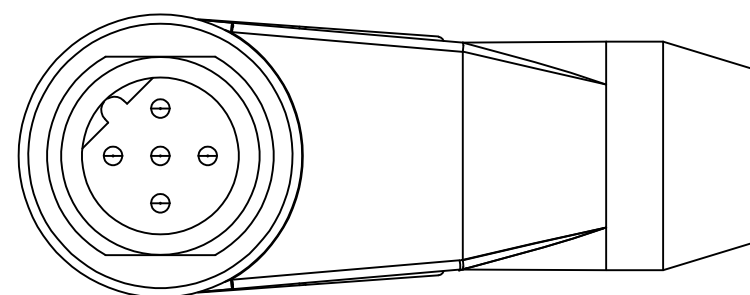
A

INITIAL RELEASE

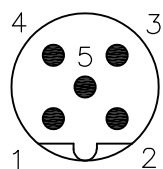
29APR2014

YC

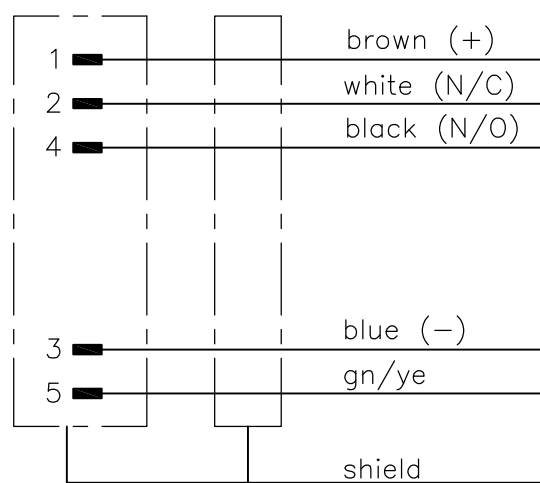
BvH




Contact Layout Male



Circuit diagram



M12 ANGLED PLUG 5POS SHLD B	2273227-1
DESCRIPTION	TE PN

THIS DRAWING IS A CONTROLLED DOCUMENT.		DWN	29APR2014	 TE Connectivity	M12 ANGLED PLUG 5POS SHLD B
DIMENSIONS: mm		YATHISH.C	29APR2014		
TOLERANCES UNLESS OTHERWISE SPECIFIED:		CHK	29APR2014		
0 PLC ± - 1 PLC ± - 2 PLC ± - 3 PLC ± - 4 PLC ± - ANGLES ± -		B.VELDHOVEN	29APR2014		
MATERIAL		APVD	29APR2014	NAME	A.VAN ZANDVOORT
FINISH		PRODUCT SPEC		SIZE	A3
-		-		CAGE CODE	00779
		APPLICATION SPEC		DRAWING NO	C-2273227
		WEIGHT		RESTRICTED TO	-
		CUSTOMER DRAWING		SCALE	NTS
				SHEET	1 OF 1
				REV	A