

THIS DRAWING IS UNPUBLISHED.

RELEASED FOR PUBLICATION

ALL RIGHTS RESERVED.

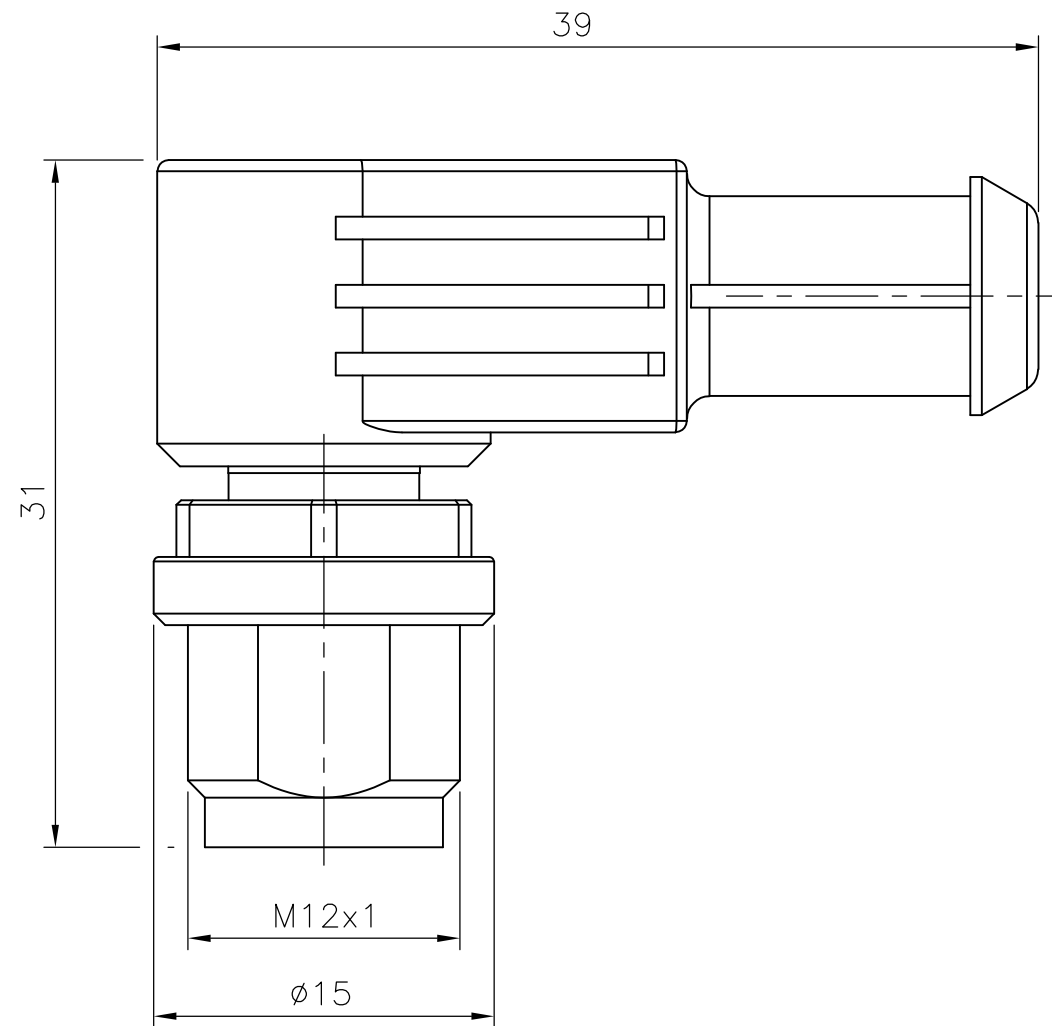
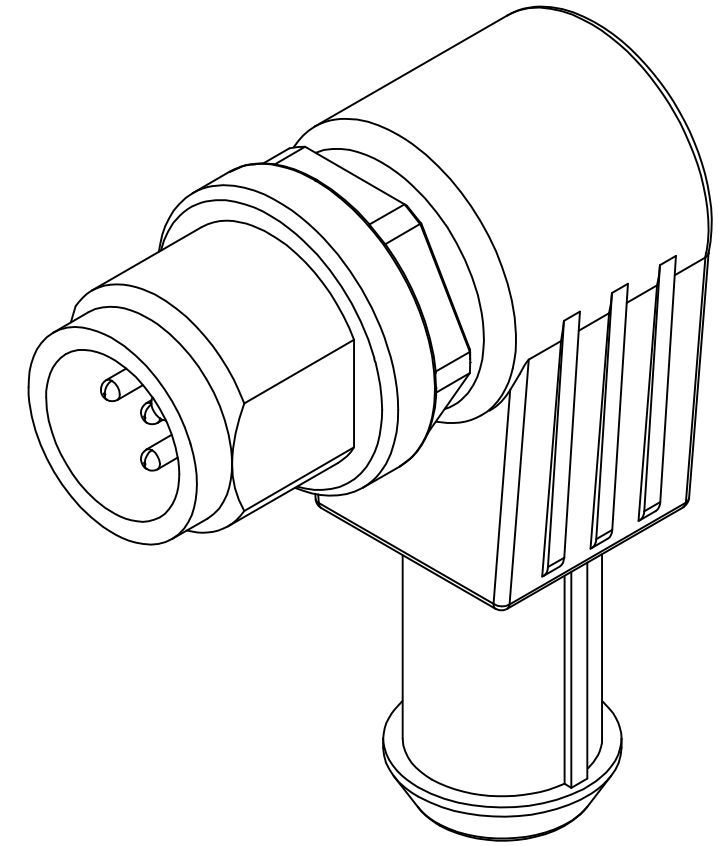
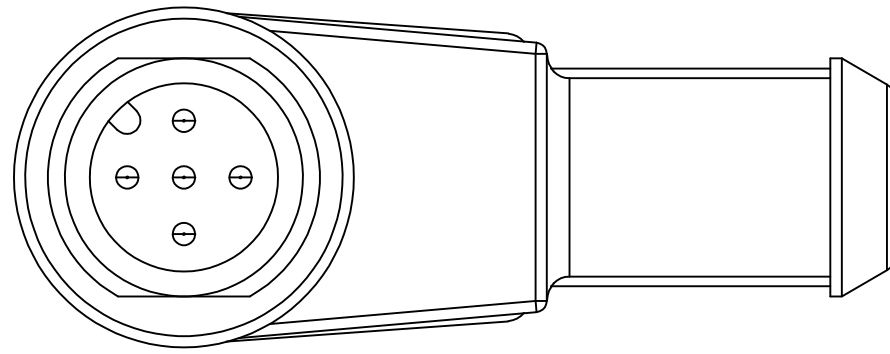
LOC

DIST

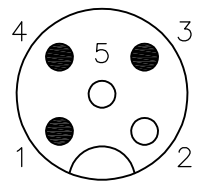
REVISIONS

© COPYRIGHT - By -

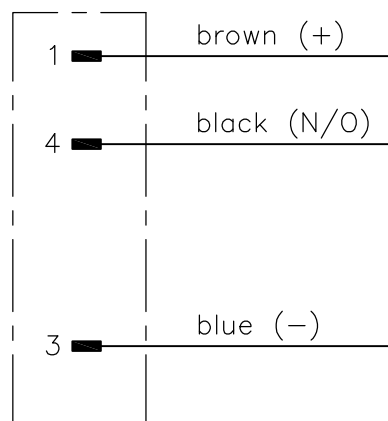
P	LTR	DESCRIPTION	DATE	DWN	APVD
	A	INITIAL RELEASE	29APR2014	YC	BvH




Contact Layout Male



Circuit diagram



M12 ANGLED PLUG 3POS A	2273222-1
DESCRIPTION	TE PN

THIS DRAWING IS A CONTROLLED DOCUMENT.		DWN	29APR2014	 <b>TE Connectivity</b>	NAME	M12 ANGLED PLUG 3POS A			RESTRICTED TO			
DIMENSIONS: mm		YATHISH.C	29APR2014			SIZE A3	CAGE CODE 00779	DRAWING NO C-2273222		SCALE NTS	SHEET 1 OF 1	REV A
TOLERANCES UNLESS OTHERWISE SPECIFIED:		CHK	29APR2014									
0 PLC ± - 1 PLC ± - 2 PLC ± - 3 PLC ± - 4 PLC ± - ANGLES ± -		APVD	29APR2014									
MATERIAL		A.VAN ZANDVOORT		PRODUCT SPEC			APPLICATION SPEC					
FINISH		-		WEIGHT			-			CUSTOMER DRAWING		