

THIS DRAWING IS UNPUBLISHED.

RELEASED FOR PUBLICATION

ALL RIGHTS RESERVED.

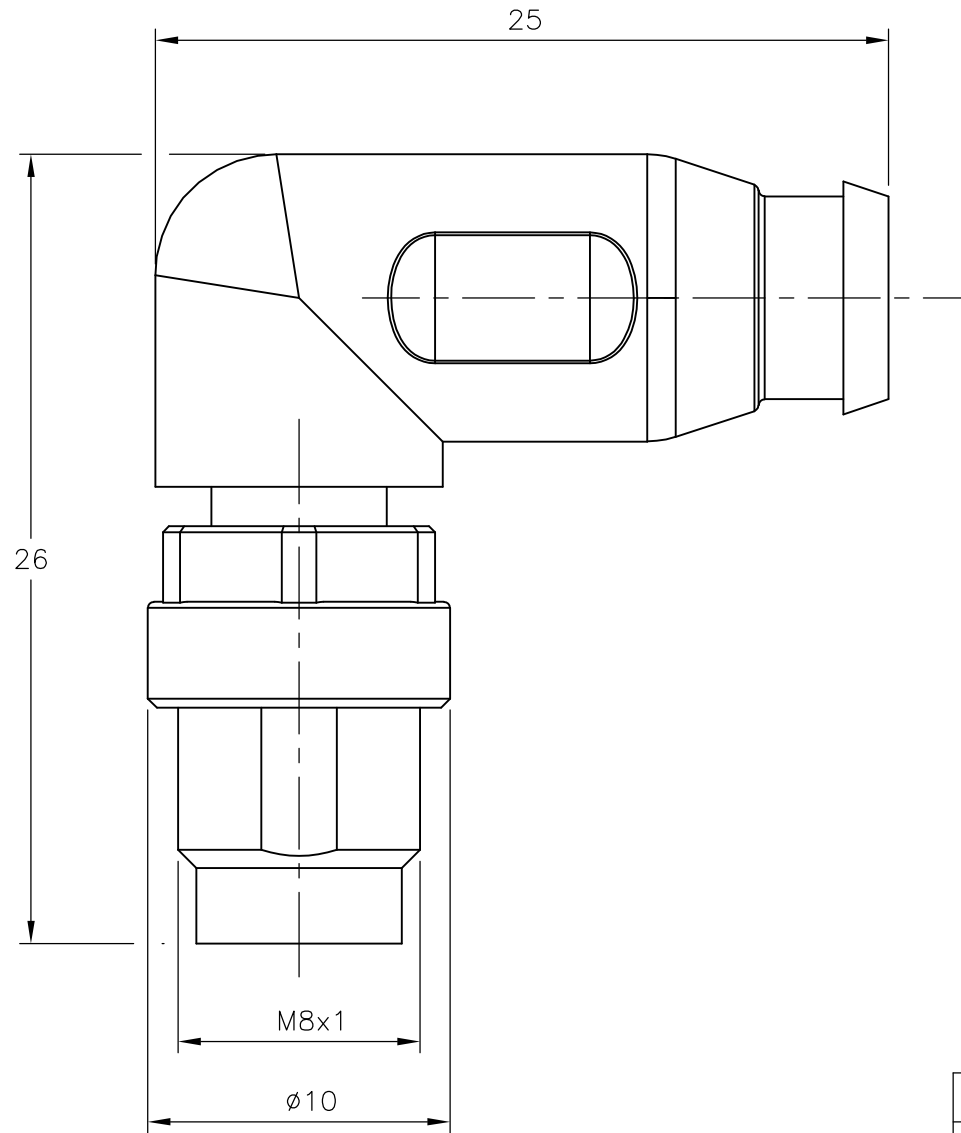
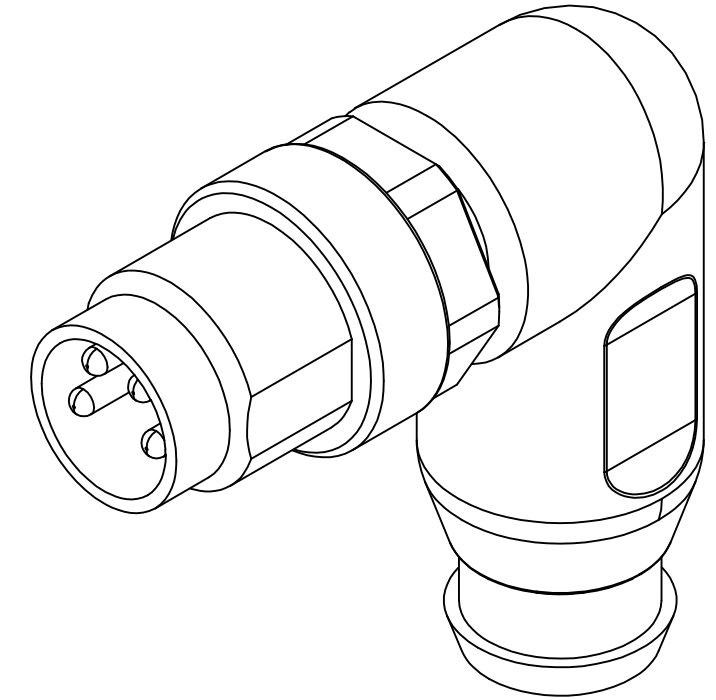
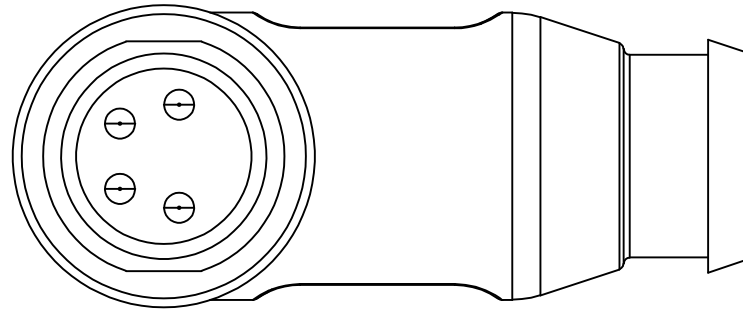
LOC

DIST

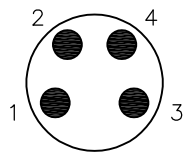
REVISIONS

© COPYRIGHT - By -

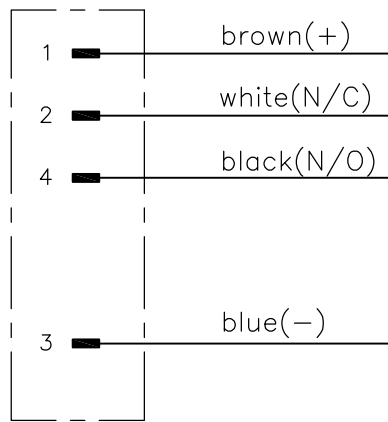
| P | LTR | DESCRIPTION     | DATE      | DWN | APVD |
|---|-----|-----------------|-----------|-----|------|
|   | A   | INITIAL RELEASE | 29APR2014 | GSK | BvH  |



Contact Layout Male



Circuit diagram



|                           |           |
|---------------------------|-----------|
| M8 X 1.0 ANGLED PLUG 4POS | 2273185-1 |
| DESCRIPTION               | TE PN     |

|  |  |                                   |                                   |           |            |               |     |
|--|--|-----------------------------------|-----------------------------------|-----------|------------|---------------|-----|
| THIS DRAWING IS A CONTROLLED DOCUMENT. |  | DWN 29APR2014<br>SATHISH KUMAR .G | <b>STE</b> TE Connectivity        |           |            |               |     |
| DIMENSIONS: mm                         |  | CHK 29APR2014<br>B.VELDHOVEN      |                                   |           |            |               |     |
| TOLERANCES UNLESS OTHERWISE SPECIFIED: |  | APVD 29APR2014<br>A.VAN ZANDVOORT | NAME<br>M8 X 1.0 ANGLED PLUG 4POS |           |            |               |     |
| MATERIAL                               |  | PRODUCT SPEC                      | SIZE                              | CAGE CODE | DRAWING NO | RESTRICTED TO |     |
| FINISH                                 |  | APPLICATION SPEC                  | A3                                | 00779     | C-2273185  | -             |     |
|  |  | WEIGHT                            | CUSTOMER DRAWING                  |           | SCALE      | SHEET         | REV |
|  |  |                                   |                                   |           | NTS        | 1 OF 1        | A   |