

4

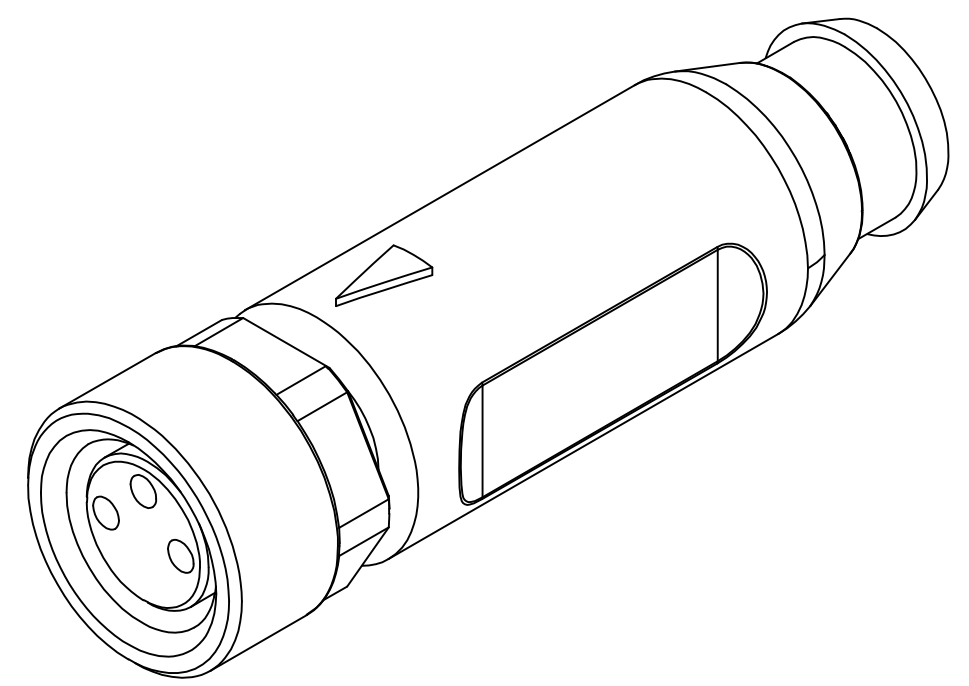
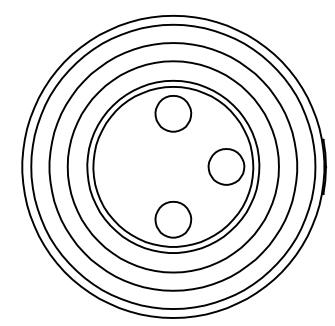
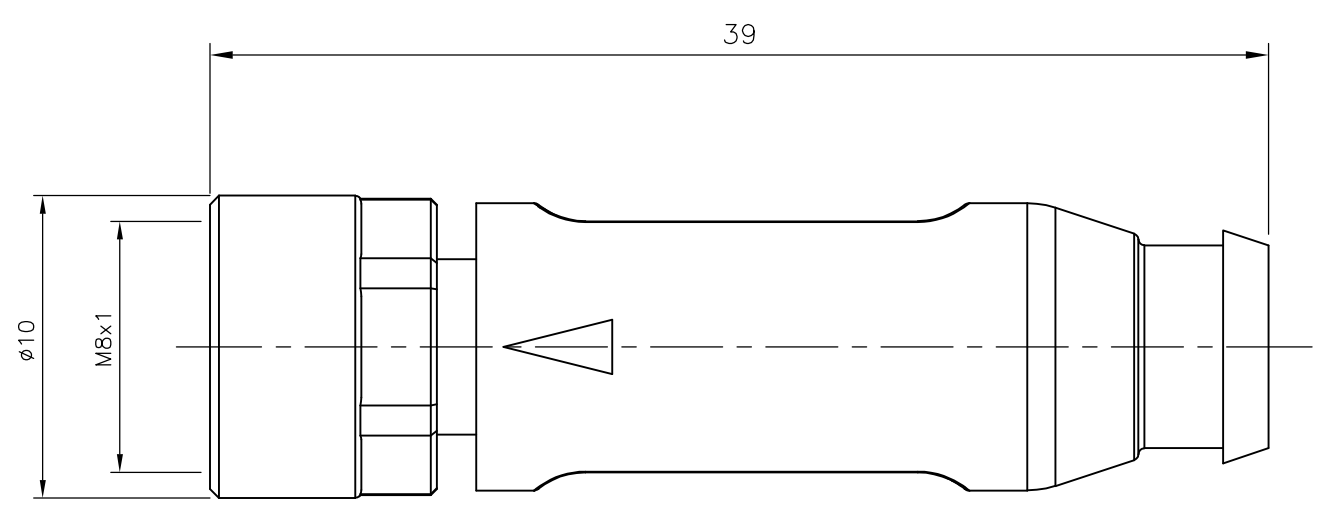
3

2

1

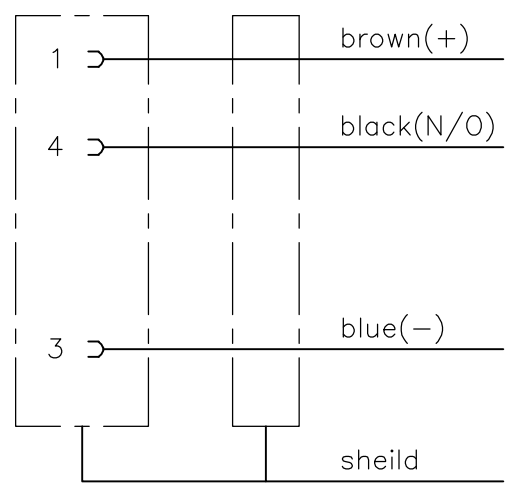
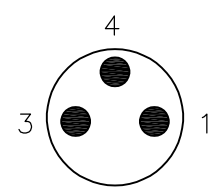
THIS DRAWING IS UNPUBLISHED. RELEASED FOR PUBLICATION - , - .
 © COPYRIGHT - By - ALL RIGHTS RESERVED.

| LOC | DIST | REVISIONS | | | |
|-----|------|-----------------|-----------|-----|------|
| P | LTR | DESCRIPTION | DATE | DWN | APVD |
| | A | INITIAL RELEASE | 29APR2014 | GSK | BvH |



Circuit diagram

Contact Layout Female



| | |
|------------------------------------|-----------|
| M8 X 1.0 STRAIGHT SOCKET SHLD 3POS | 2273174-1 |
| DESCRIPTION | TE PN |

THIS DRAWING IS A CONTROLLED DOCUMENT.

| | |
|------------------|-----------|
| DWN | 29APR2014 |
| SATHISH KUMAR .G | |
| CHK | 29APR2014 |
| B.VELDHOVEN | |
| APVD | 29APR2014 |
| A.VAN ZANDVOORT | |



| | |
|-------------|--|
| DIMENSIONS: | TOLERANCES UNLESS OTHERWISE SPECIFIED: |
| mm | |
| | 0 PLC ± - |
| | 1 PLC ± - |
| | 2 PLC ± - |
| | 3 PLC ± - |
| | 4 PLC ± - |
| | ANGLES ± - |

| | |
|------------------|---|
| PRODUCT SPEC | NAME |
| APPLICATION SPEC | M8 X 1.0 STRAIGHT SOCKET SHLD 3POS |
| WEIGHT | SIZE CAGE CODE DRAWING NO RESTRICTED TO |
| - | A3 00779 C-2273174 - |

| | |
|----------|--------|
| MATERIAL | FINISH |
| - | - |

| | | | |
|------------------|-----------|--------------|-------|
| CUSTOMER DRAWING | SCALE NTS | SHEET 1 OF 1 | REV A |
|------------------|-----------|--------------|-------|