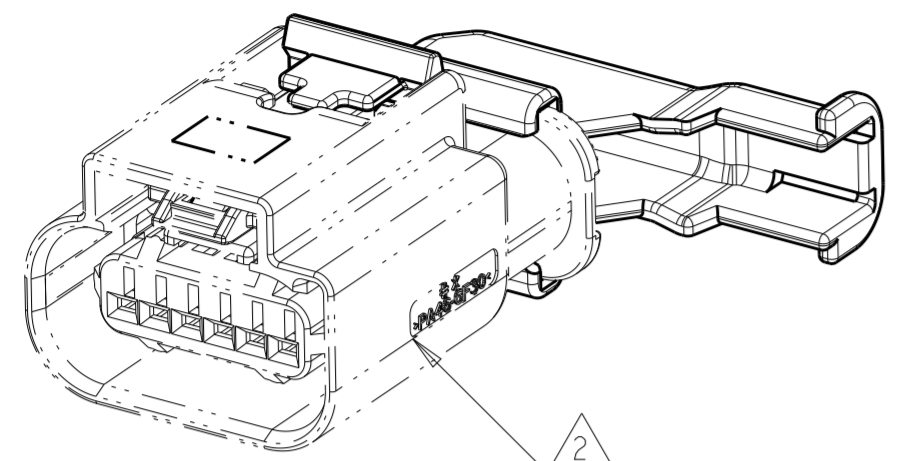
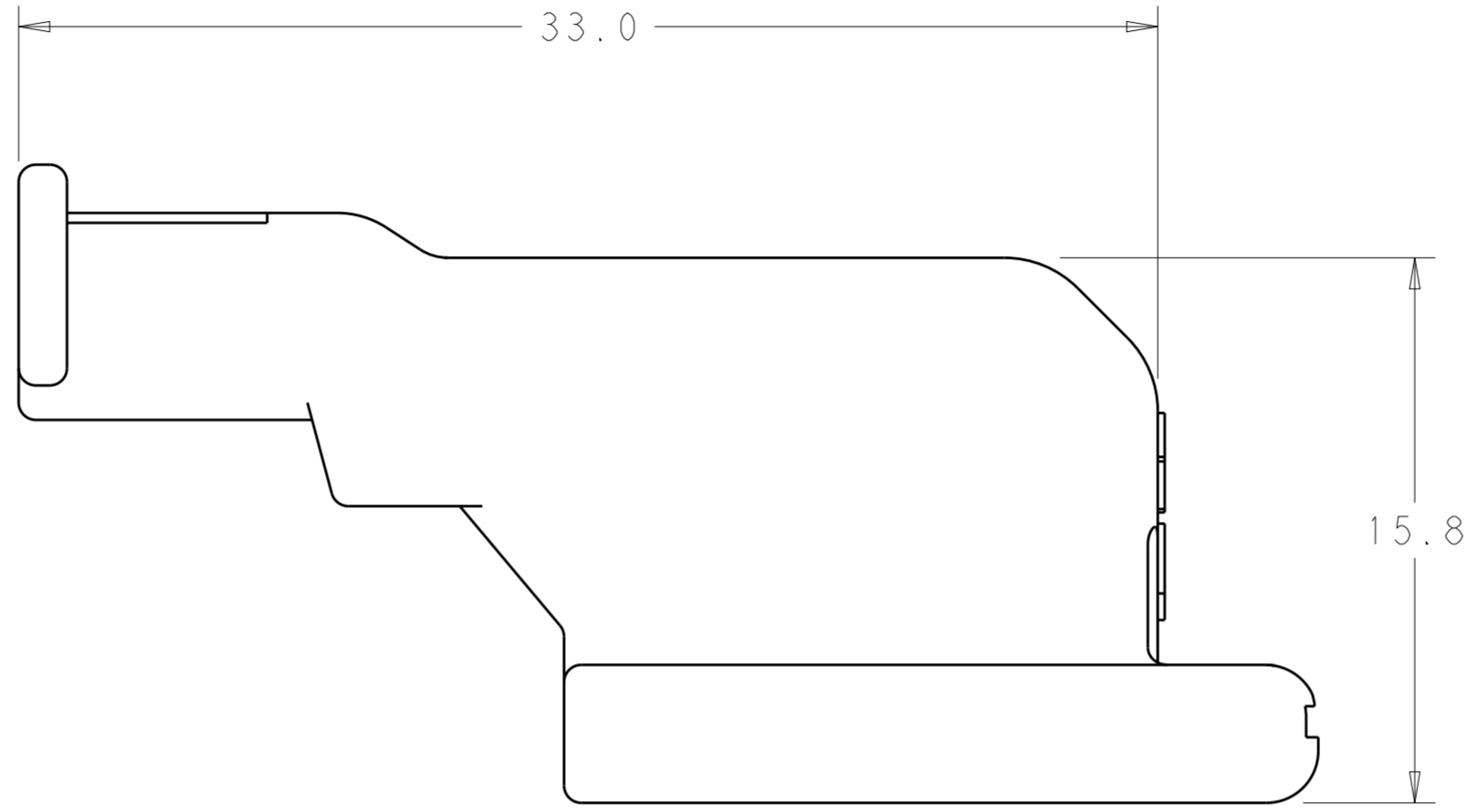


THIS DRAWING IS UNPUBLISHED. RELEASED FOR PUBLICATION 2011  
 © COPYRIGHT 2011 ALL RIGHTS RESERVED.

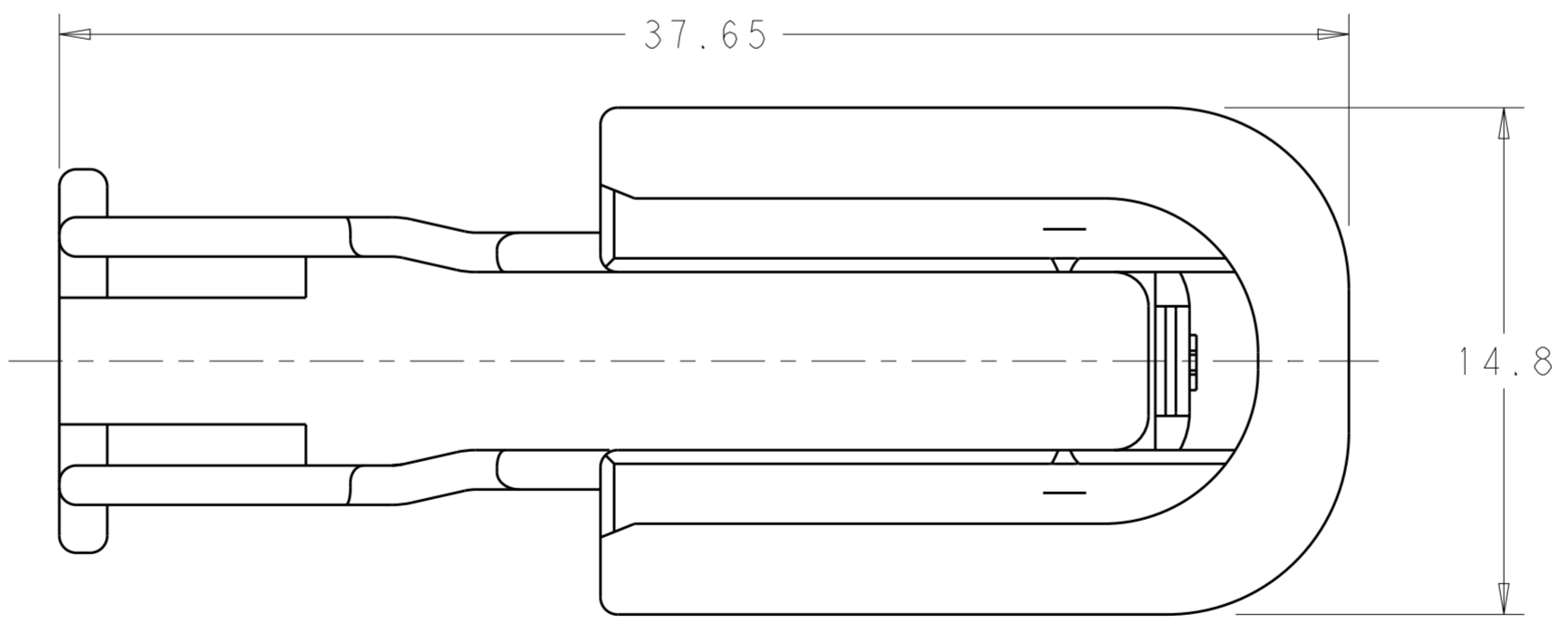
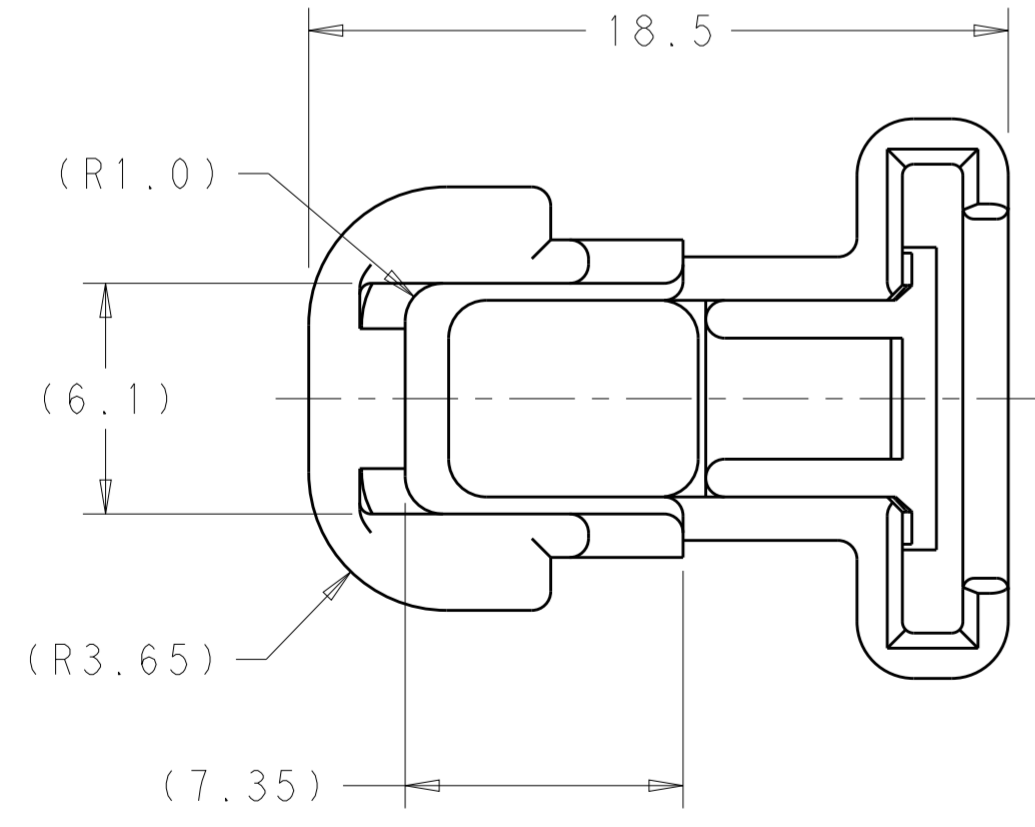
| REVISIONS |     |                           |           |         |
|-----------|-----|---------------------------|-----------|---------|
| P         | LTR | DESCRIPTION               | DATE      | APVD    |
|           | A2  | REVISED PER ECO-17-002228 | 17FEB2017 | DLD DCM |
|           |     |                           |           |         |
|           |     |                           |           |         |



ISOMETRIC VIEW  
SCALE 2:1



- 1 MATERIAL: GLASS FILLED NYLON, COLOR; BLACK
- 2 COMPATIBLE PLUG, DRAWING NUMBER 2272975, SHOWN FOR REFERENCE.

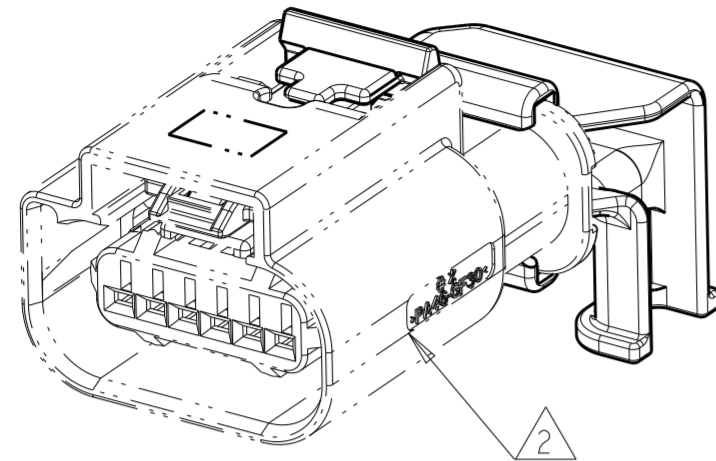


2272976-1  
PART NUMBER

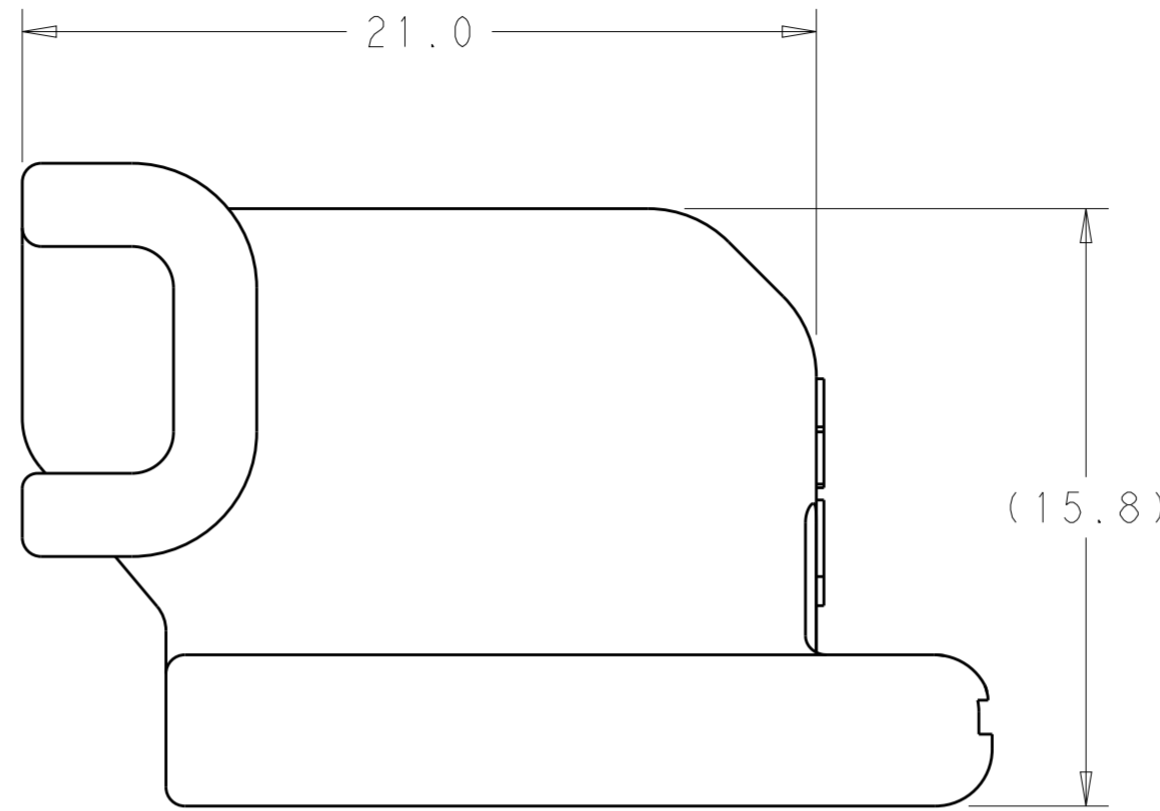
|  |  |                                   |   |                               |
|--|--|-----------------------------------|---|-------------------------------|
| THIS DRAWING IS A CONTROLLED DOCUMENT. |  | DWN<br>D. DRUMMOND<br>22SEP2014   | TE Connectivity   |                               |
| DIMENSIONS:                            |  | CHK<br>S. MANKARYOS<br>22SEP2014  |   |                               |
| mm                                     | TOLERANCES UNLESS OTHERWISE SPECIFIED: | APVD<br>S. MANKARYOS<br>22SEP2014 | NAME<br>WIRE DRESS, 6 POSITION,<br>SEALED, MCON 1.2mm FOR STANDARDIZED<br>MOUNTING RAIL |                               |
| 0 PLC ±-                               | 1 PLC ±0.3                             | PRODUCT SPEC                      | SIZE  | RESTRICTED TO                 |
| 2 PLC ±0.20                            | 3 PLC ±-                               | APPLICATION SPEC                  | A200779   | -                             |
| 4 PLC ±-                               | ANGLES ±1°                             | WEIGHT                            | CAGE CODE   | DRAWING NO                    |
| FINISH                                 |  | CUSTOMER DRAWING                  | G-2272976   | SCALE 5:1 SHEET 1 OF 5 REV A2 |

THIS DRAWING IS UNPUBLISHED. RELEASED FOR PUBLICATION 2011  
 © COPYRIGHT 2011 ALL RIGHTS RESERVED.

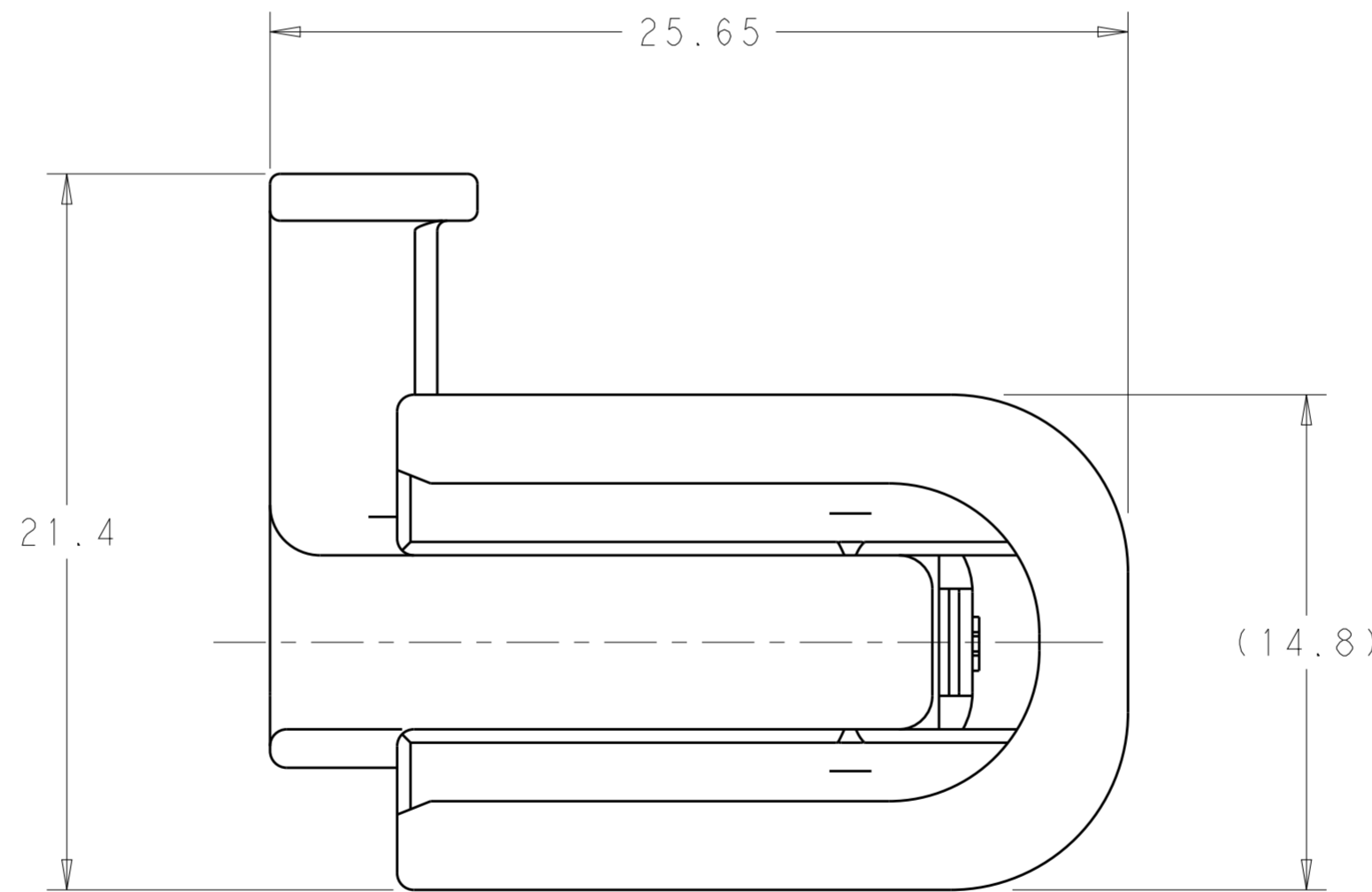
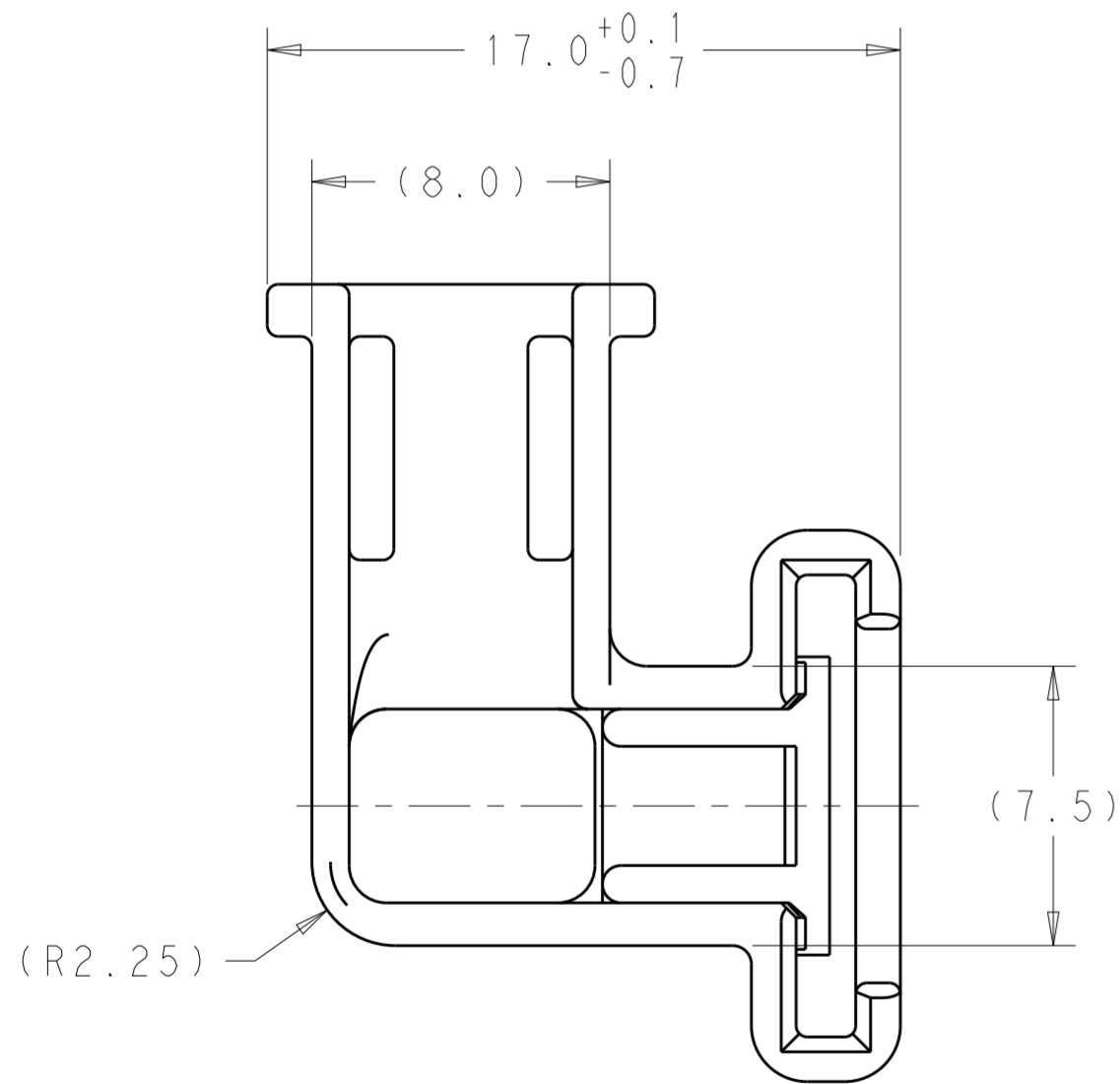
| REVISIONS |     |             |      |      |
|-----------|-----|-------------|------|------|
| P         | LTR | DESCRIPTION | DATE | APVD |
| -         | -   | SEE SHEET 1 | -    | -    |
|           |     |             |      |      |
|           |     |             |      |      |



ISOMETRIC VIEW  
SCALE 2:1



- ① MATERIAL: GLASS FILLED NYLON, COLOR; BLACK
- ② COMPATIBLE PLUG, DRAWING NUMBER 2272975, SHOWN FOR REFERENCE.
- ③ NOTE DELETED

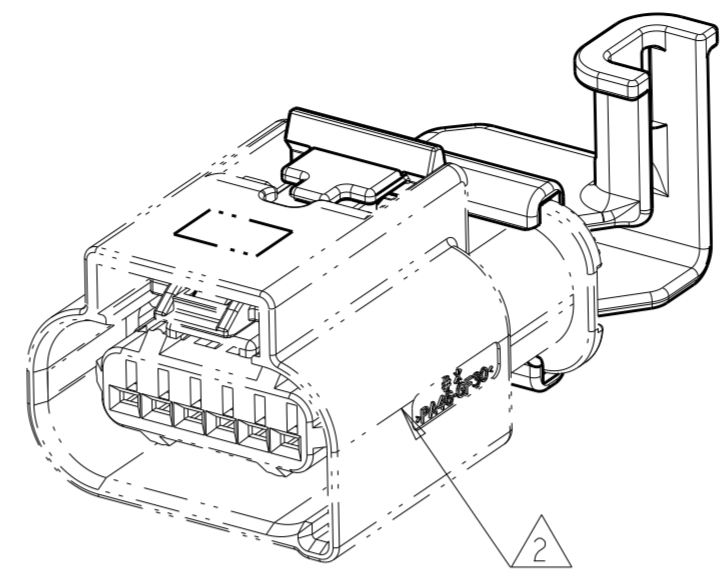
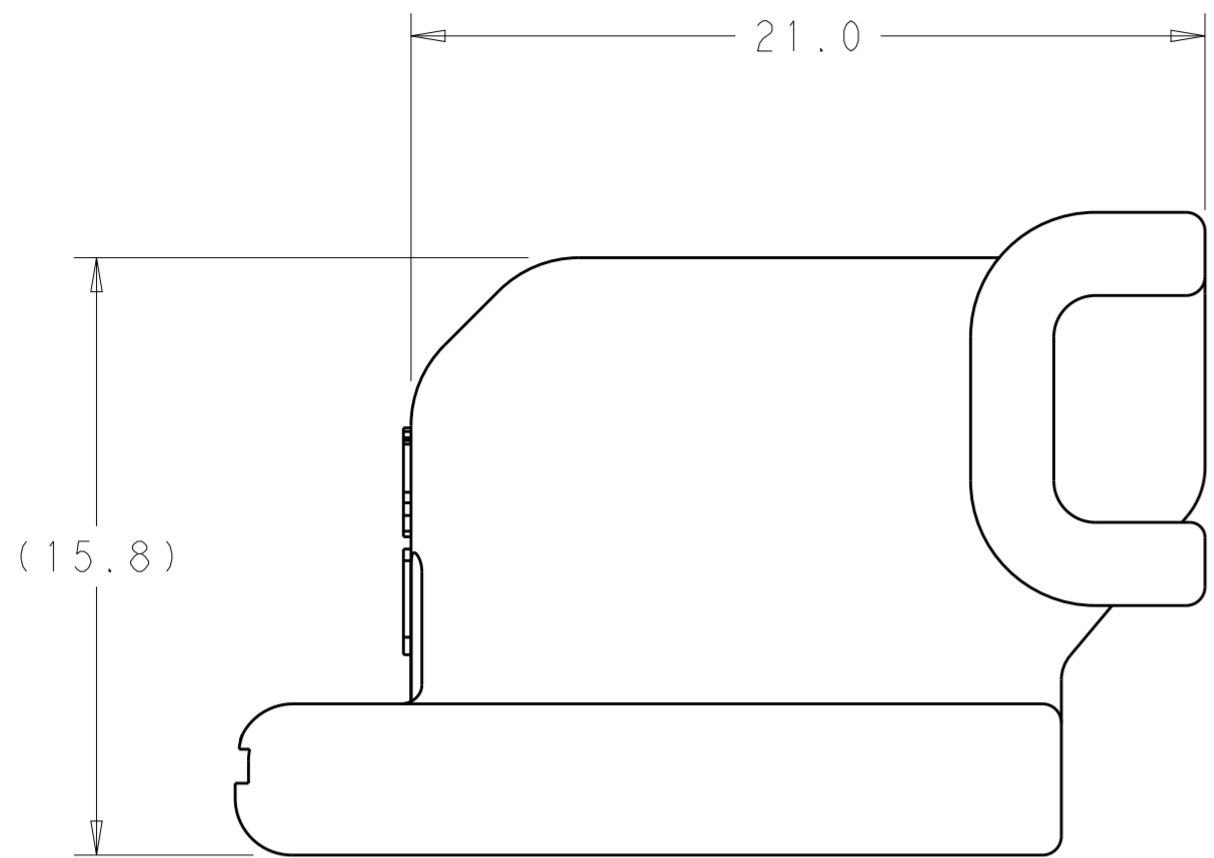


2272976-2  
PART NUMBER

|  |  |                                   |   |                 |     |      |   |     |       |   |     |   |   |     |   |        |  |     |        |  |   |  |              |   |                  |   |        |   |                 |                         |                    |
|--|--|-----------------------------------|---|-----------------|-----|------|---|-----|-------|---|-----|---|---|-----|---|--------|--|-----|--------|--|---|--|--------------|---|------------------|---|--------|---|-----------------|-------------------------|--------------------|
| THIS DRAWING IS A CONTROLLED DOCUMENT.   |  | DWN<br>D. DRUMMOND<br>22SEP2014   | TE Connectivity   |                 |     |      |   |     |       |   |     |   |   |     |   |        |  |     |        |  |   |  |              |   |                  |   |        |   |                 |                         |                    |
| DIMENSIONS:  |  | CHK<br>S. MANKARYOS<br>22SEP2014  |   |                 |     |      |   |     |       |   |     |   |   |     |   |        |  |     |        |  |   |  |              |   |                  |   |        |   |                 |                         |                    |
| mm   | TOLERANCES UNLESS OTHERWISE SPECIFIED: | APVD<br>S. MANKARYOS<br>22SEP2014 | NAME<br>WIRE DRESS, 6 POSITION,<br>SEALED, MCON 1.2mm FOR STANDARDIZED<br>MOUNTING RAIL |                 |     |      |   |     |       |   |     |   |   |     |   |        |  |     |        |  |   |  |              |   |                  |   |        |   |                 |                         |                    |
| <table border="1"> <tr><td>0</td><td>PLC</td><td>±</td></tr> <tr><td>1</td><td>PLC</td><td>±0.3</td></tr> <tr><td>2</td><td>PLC</td><td>±0.20</td></tr> <tr><td>3</td><td>PLC</td><td>±</td></tr> <tr><td>4</td><td>PLC</td><td>±</td></tr> <tr><td colspan="2">ANGLES</td><td>±1°</td></tr> <tr><td colspan="2">FINISH</td><td>-</td></tr> </table> | 0                                      | PLC                               | ±   | 1               | PLC | ±0.3 | 2 | PLC | ±0.20 | 3 | PLC | ± | 4 | PLC | ± | ANGLES |  | ±1° | FINISH |  | - | <table border="1"> <tr><td>PRODUCT SPEC</td><td>-</td></tr> <tr><td>APPLICATION SPEC</td><td>-</td></tr> <tr><td>WEIGHT</td><td>-</td></tr> </table> | PRODUCT SPEC | - | APPLICATION SPEC | - | WEIGHT | - | SIZE<br>A200779 | DRAWING NO<br>C-2272976 | RESTRICTED TO<br>- |
| 0  | PLC                                    | ±                                 |   |                 |     |      |   |     |       |   |     |   |   |     |   |        |  |     |        |  |   |  |              |   |                  |   |        |   |                 |                         |                    |
| 1  | PLC                                    | ±0.3                              |   |                 |     |      |   |     |       |   |     |   |   |     |   |        |  |     |        |  |   |  |              |   |                  |   |        |   |                 |                         |                    |
| 2  | PLC                                    | ±0.20                             |   |                 |     |      |   |     |       |   |     |   |   |     |   |        |  |     |        |  |   |  |              |   |                  |   |        |   |                 |                         |                    |
| 3  | PLC                                    | ±                                 |   |                 |     |      |   |     |       |   |     |   |   |     |   |        |  |     |        |  |   |  |              |   |                  |   |        |   |                 |                         |                    |
| 4  | PLC                                    | ±                                 |   |                 |     |      |   |     |       |   |     |   |   |     |   |        |  |     |        |  |   |  |              |   |                  |   |        |   |                 |                         |                    |
| ANGLES   |  | ±1°                               |   |                 |     |      |   |     |       |   |     |   |   |     |   |        |  |     |        |  |   |  |              |   |                  |   |        |   |                 |                         |                    |
| FINISH   |  | -                                 |   |                 |     |      |   |     |       |   |     |   |   |     |   |        |  |     |        |  |   |  |              |   |                  |   |        |   |                 |                         |                    |
| PRODUCT SPEC   | -                                      |                                   |   |                 |     |      |   |     |       |   |     |   |   |     |   |        |  |     |        |  |   |  |              |   |                  |   |        |   |                 |                         |                    |
| APPLICATION SPEC   | -                                      |                                   |   |                 |     |      |   |     |       |   |     |   |   |     |   |        |  |     |        |  |   |  |              |   |                  |   |        |   |                 |                         |                    |
| WEIGHT   | -                                      |                                   |   |                 |     |      |   |     |       |   |     |   |   |     |   |        |  |     |        |  |   |  |              |   |                  |   |        |   |                 |                         |                    |
| MATERIAL<br>①  | FINISH<br>-                            | CUSTOMER DRAWING                  | SCALE<br>5:1  | SHEET<br>2 OF 5 |     |      |   |     |       |   |     |   |   |     |   |        |  |     |        |  |   |  |              |   |                  |   |        |   |                 |                         |                    |

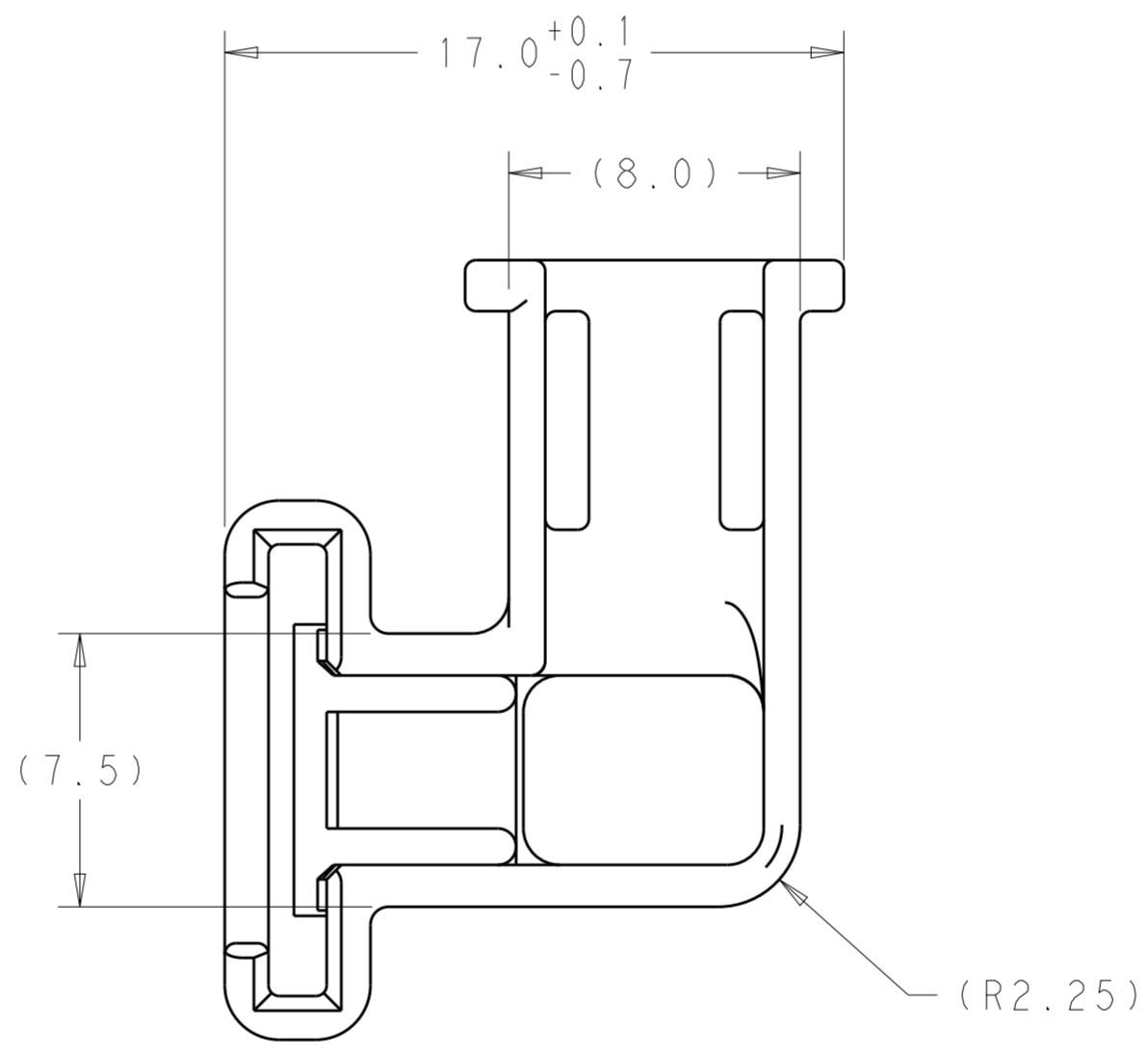
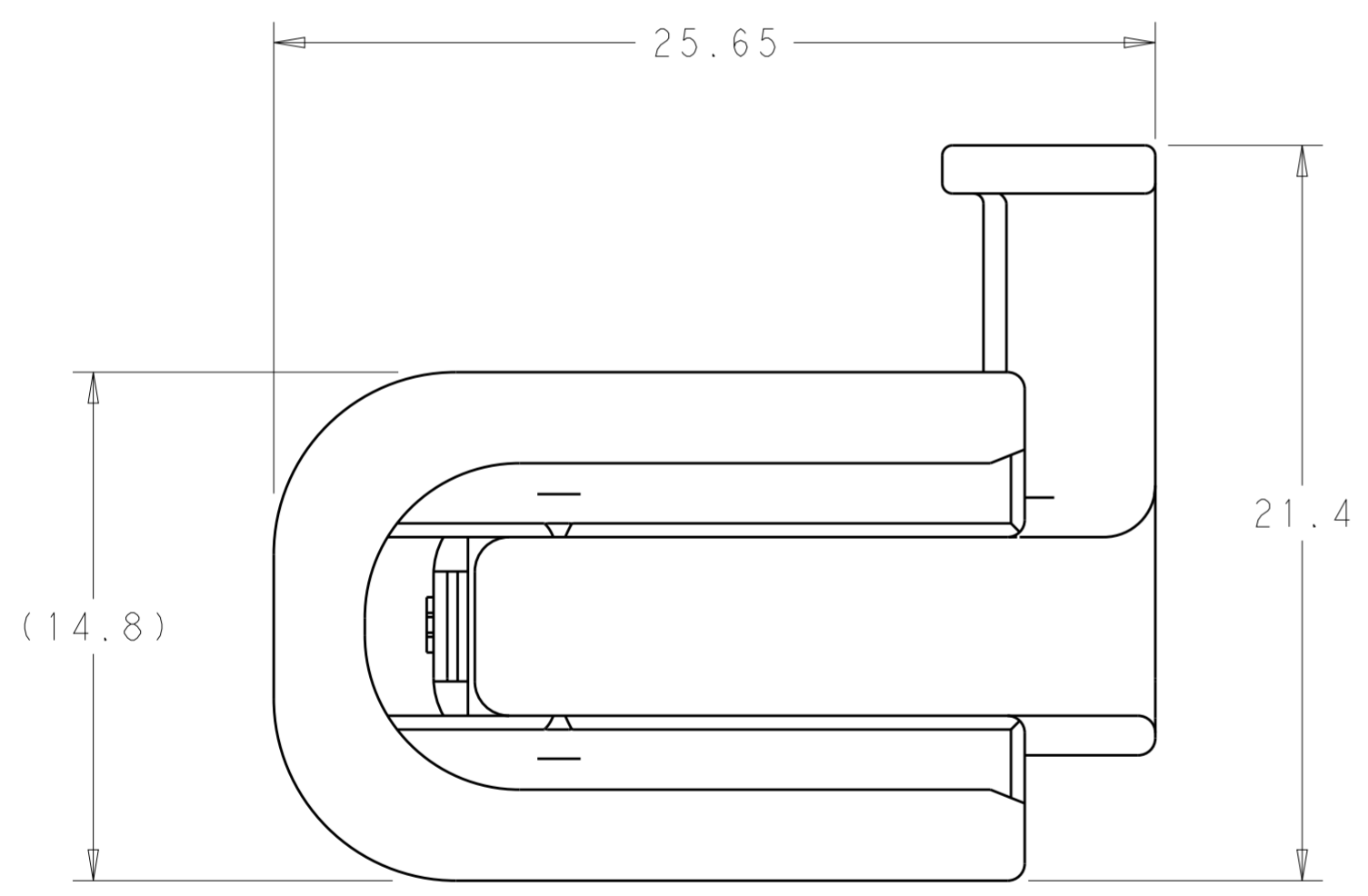
THIS DRAWING IS UNPUBLISHED. RELEASED FOR PUBLICATION 2011  
 © COPYRIGHT 2011 ALL RIGHTS RESERVED.

| REVISIONS |     |             |      |      |
|-----------|-----|-------------|------|------|
| P         | LTR | DESCRIPTION | DATE | APVD |
| -         |     | SEE SHEET 1 | -    | -    |
|           |     |             |      |      |
|           |     |             |      |      |



ISOMETRIC VIEW  
SCALE 2:1

- 1 MATERIAL: GLASS FILLED NYLON, COLOR; BLACK
- 2 COMPATIBLE PLUG, DRAWING NUMBER 2272975, SHOWN FOR REFERENCE.

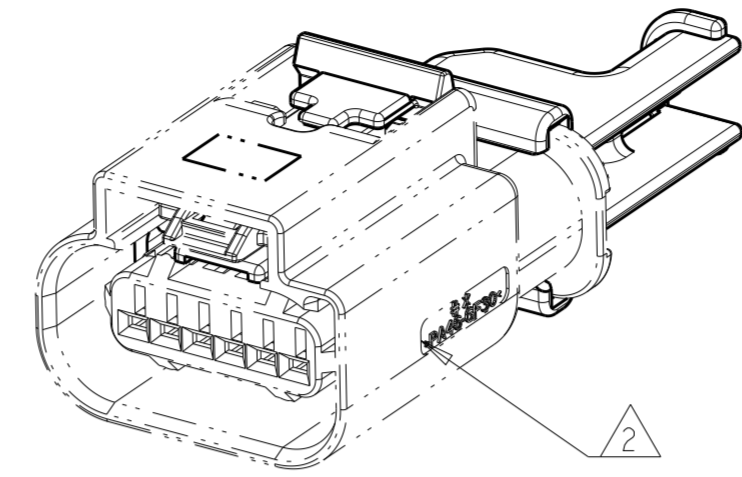


2272976-3  
PART NUMBER

|  |       |                                   |   |           |
|--|-------|-----------------------------------|---|-----------|
| THIS DRAWING IS A CONTROLLED DOCUMENT. |       | DWN<br>D. DRUMMOND<br>22SEP2014   | TE Connectivity   |           |
| DIMENSIONS: mm                         |       | CHK<br>S. MANKARYOS<br>22SEP2014  |   |           |
| TOLERANCES UNLESS OTHERWISE SPECIFIED: |       | APVD<br>S. MANKARYOS<br>22SEP2014 | NAME<br>WIRE DRESS, 6 POSITION,<br>SEALED, MCON 1.2mm FOR STANDARDIZED<br>MOUNTING RAIL |           |
| 0 PLC ±                                | ±0.3  | PRODUCT SPEC                      | SIZE  | CAGE CODE |
| 1 PLC ±                                | ±0.20 | APPLICATION SPEC                  | A200779   | C-2272976 |
| 2 PLC ±                                | ±     | WEIGHT                            | SCALE   | SHEET     |
| 3 PLC ±                                | ±1°   | CUSTOMER DRAWING                  | 5:1   | 3 OF 5    |
| 4 PLC ±                                | -     |                                   |   | REV A2    |
| ANGLES ±                               | -     |                                   |   |           |
| FINISH                                 | -     |                                   |   |           |

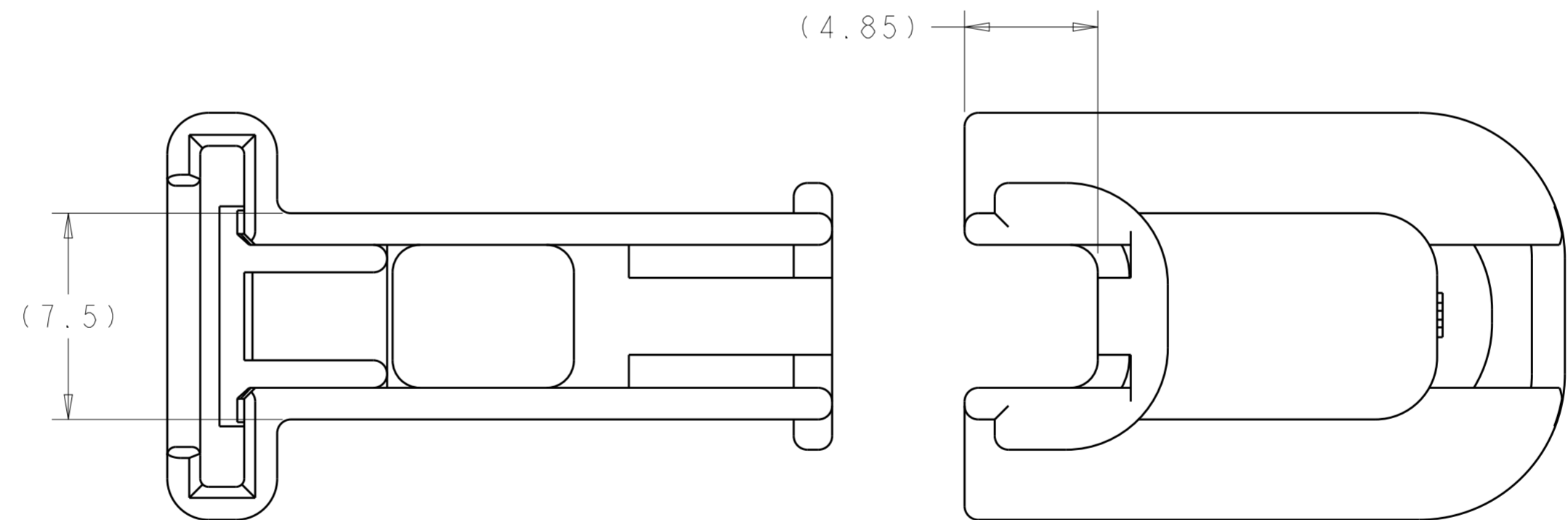
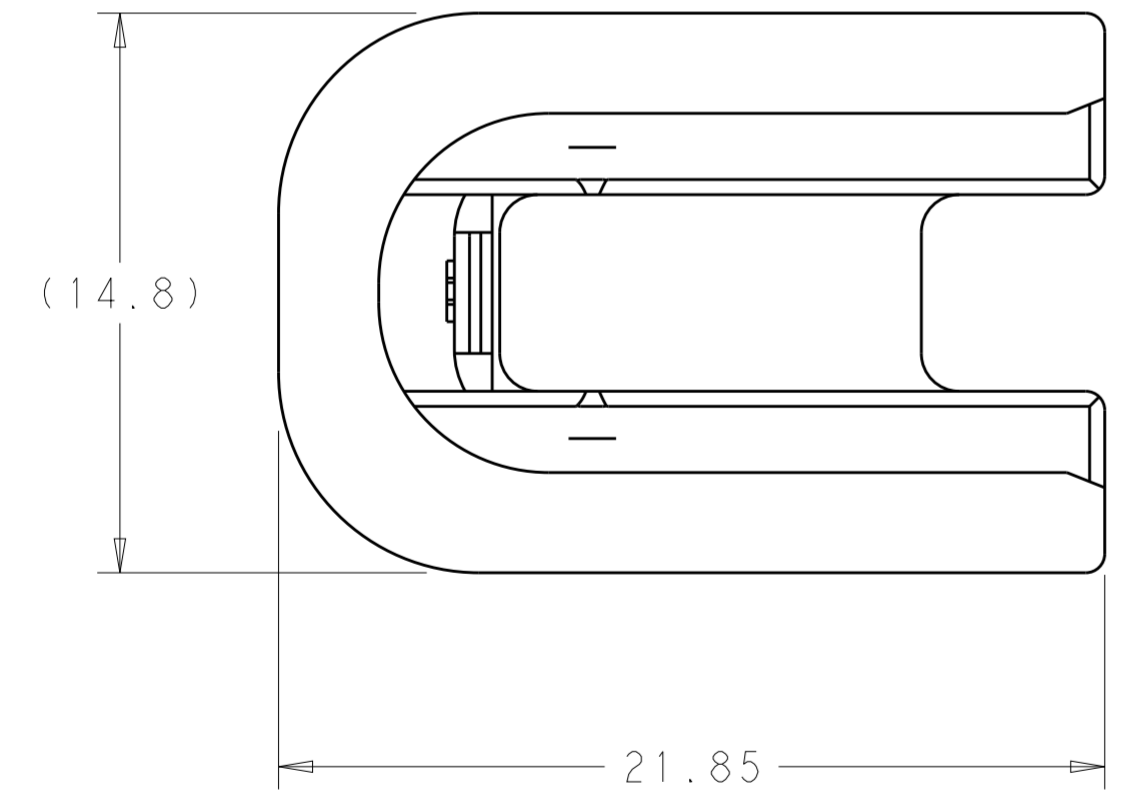
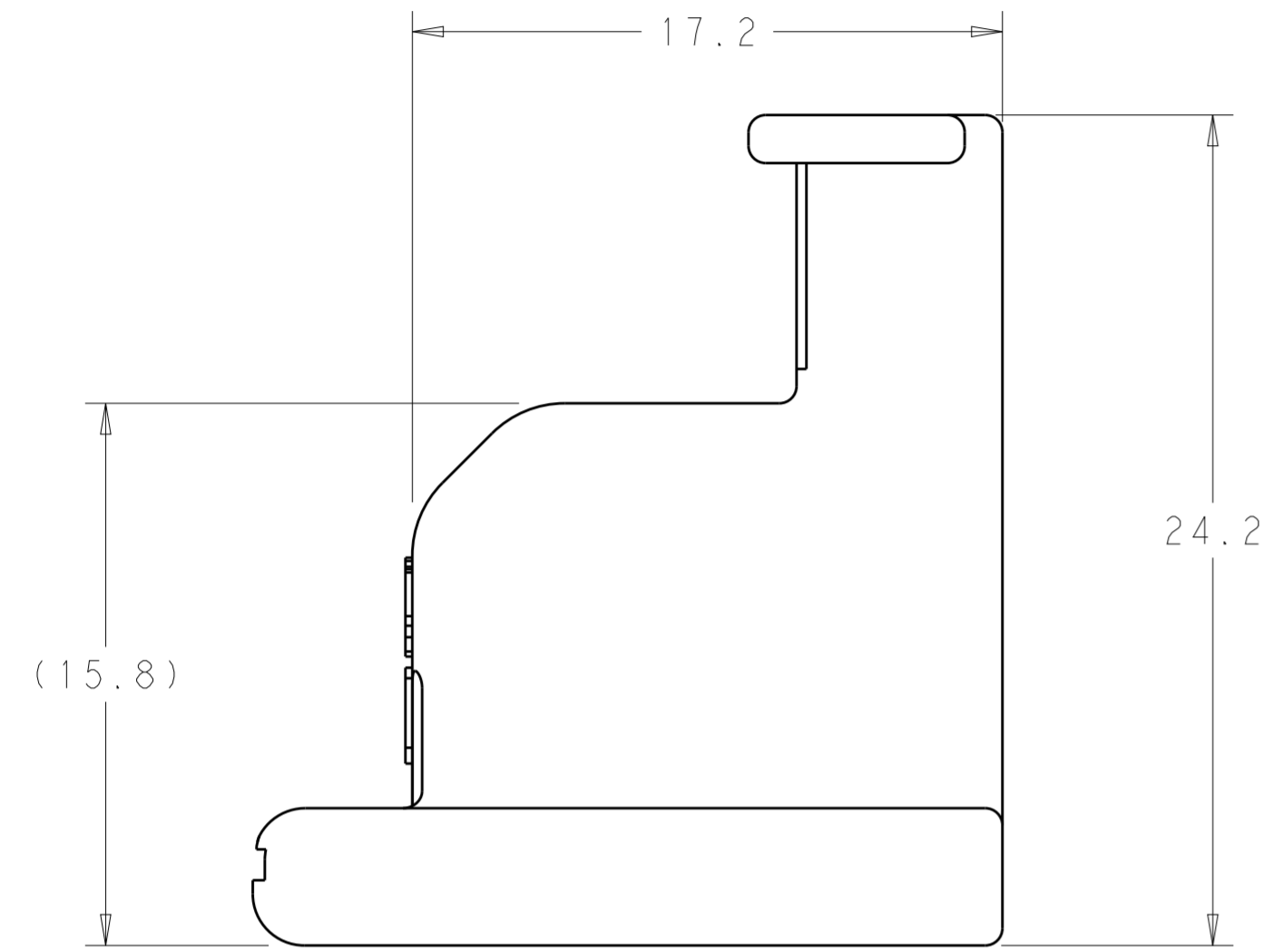
THIS DRAWING IS UNPUBLISHED. RELEASED FOR PUBLICATION 2011  
 © COPYRIGHT 2011 ALL RIGHTS RESERVED.

| REVISIONS |     |             |      |      |
|-----------|-----|-------------|------|------|
| P         | LTR | DESCRIPTION | DATE | APVD |
| -         | -   | SEE SHEET 1 | -    | -    |
|           |     |             |      |      |
|           |     |             |      |      |



ISOMETRIC VIEW  
SCALE 2:1

- 1 MATERIAL: GLASS FILLED NYLON, COLOR; BLACK
- 2 COMPATIBLE PLUG, DRAWING NUMBER 2272975, SHOWN FOR REFERENCE.

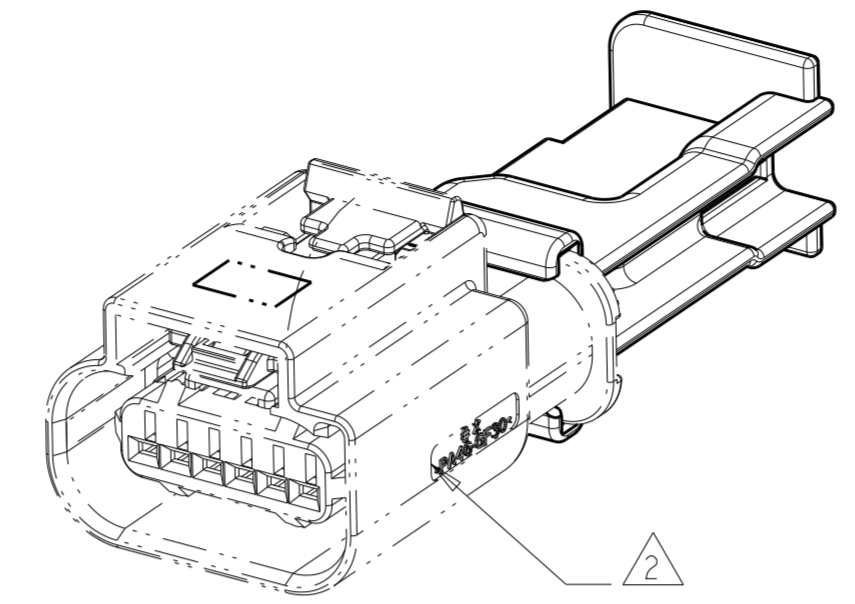
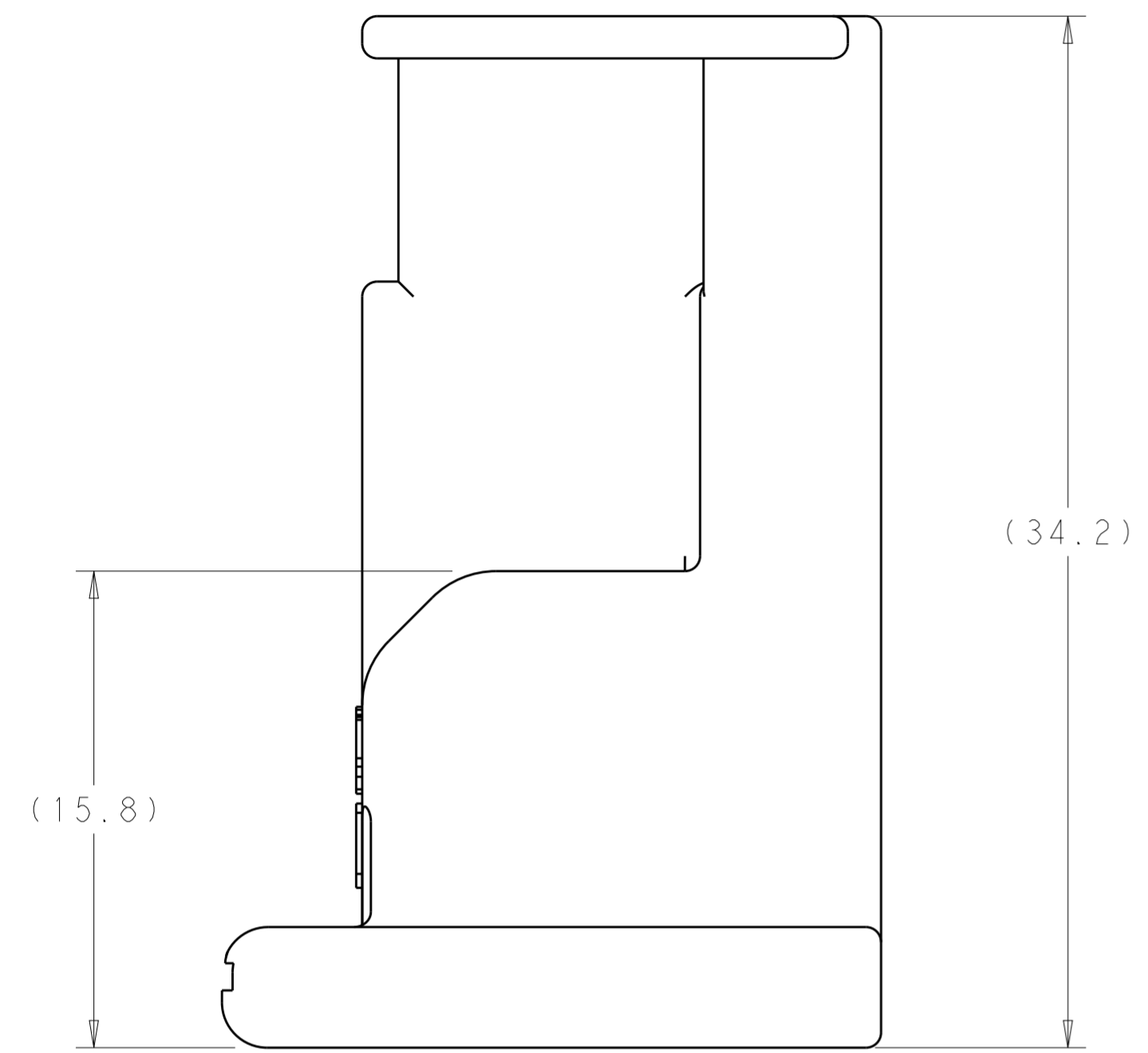


2272976-4  
PART NUMBER

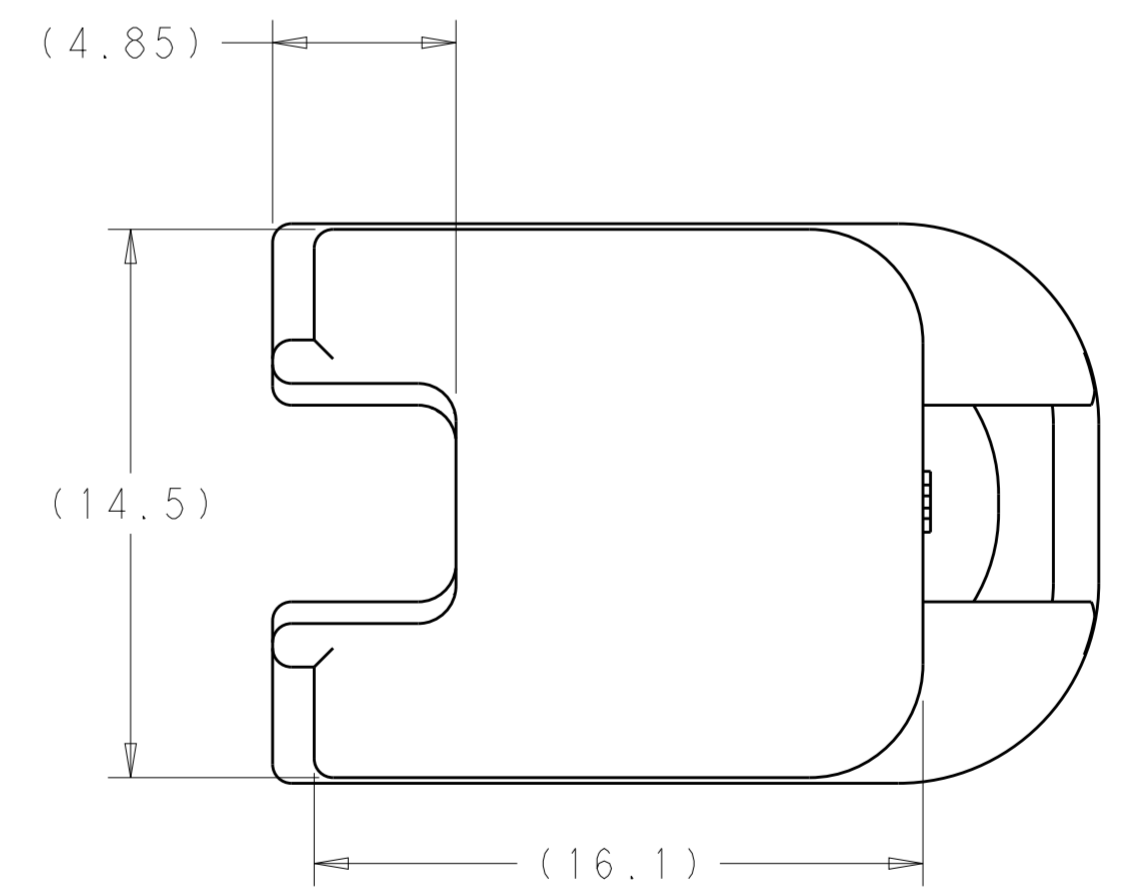
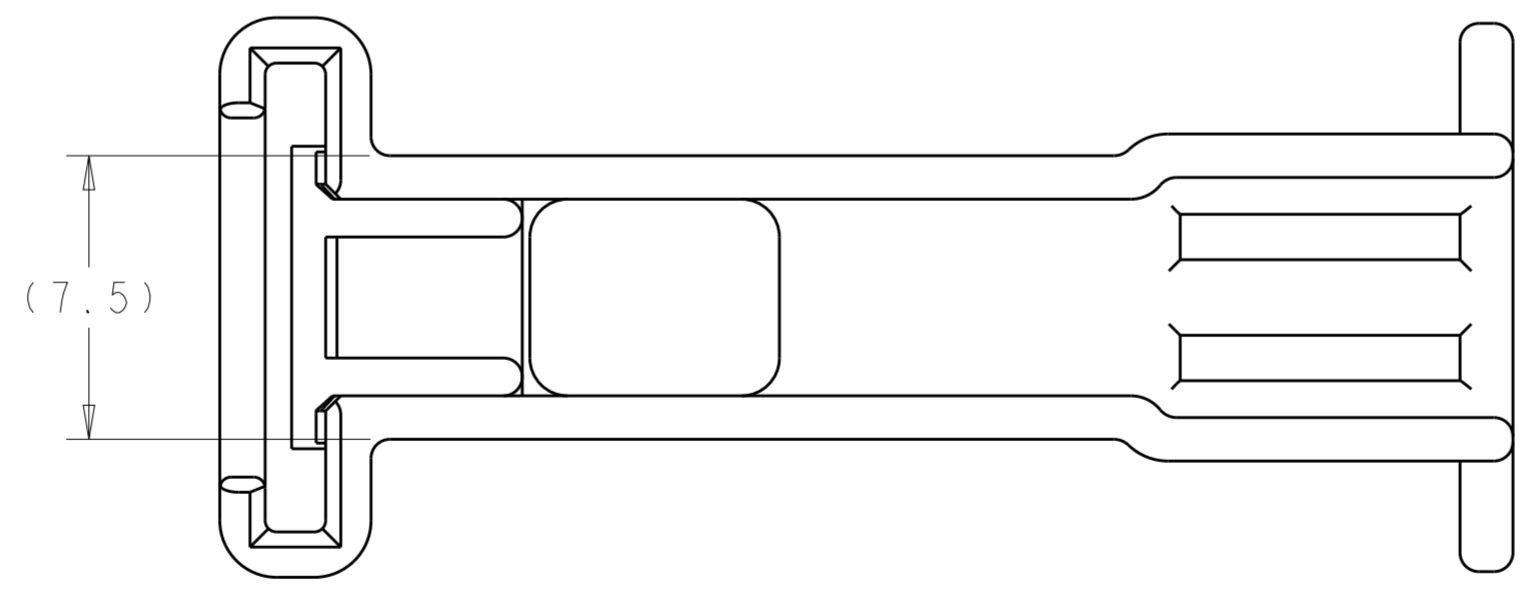
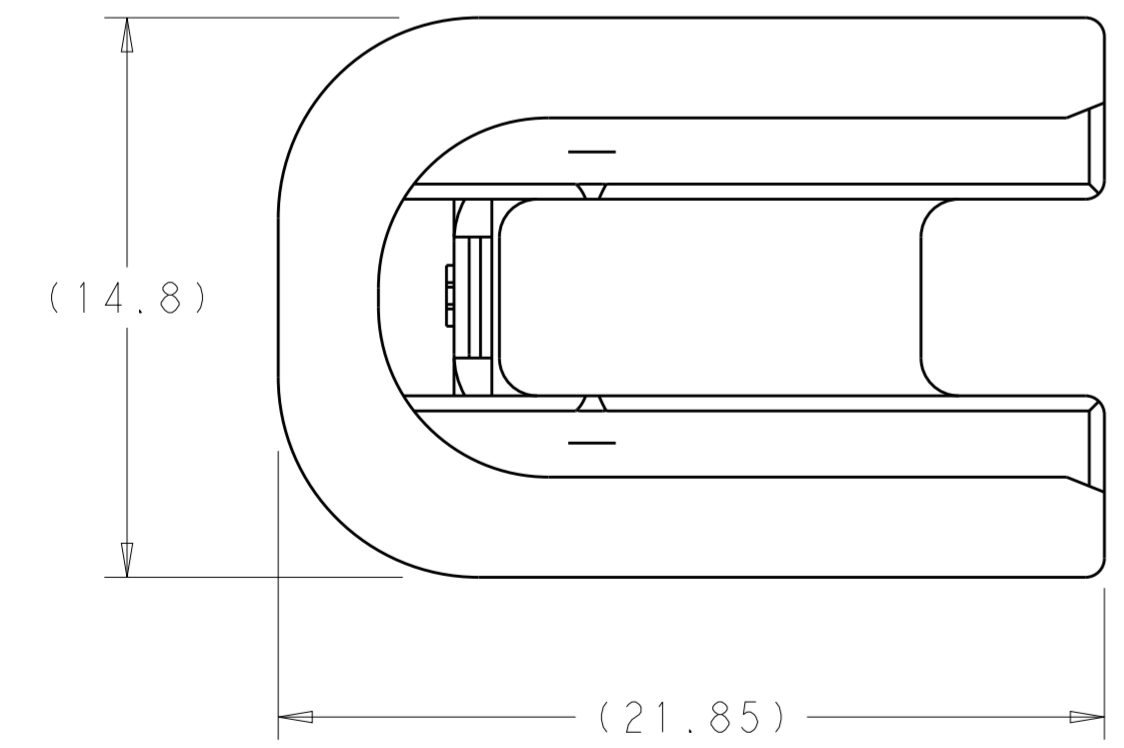
|  |  |                                   |   |           |
|--|--|-----------------------------------|---|-----------|
| THIS DRAWING IS A CONTROLLED DOCUMENT. |  | DWN<br>D. DRUMMOND<br>22SEP2014   | TE Connectivity   |           |
| DIMENSIONS:                            |  | CHK<br>S. MANKARYOS<br>22SEP2014  |   |           |
| mm                                     | TOLERANCES UNLESS OTHERWISE SPECIFIED: | APVD<br>S. MANKARYOS<br>22SEP2014 | NAME<br>WIRE DRESS, 6 POSITION,<br>SEALED, MCON 1.2mm FOR STANDARDIZED<br>MOUNTING RAIL |           |
| 0 PLC ±                                | 1 PLC ±0.3                             | PRODUCT SPEC                      | SIZE  | CAGE CODE |
| 2 PLC ±0.20                            | 3 PLC ±                                | APPLICATION SPEC                  | A200779   | C-2272976 |
| 4 PLC ±                                | ANGLES ±1°                             | WEIGHT                            | SCALE   | SHEET     |
| MATERIAL                               | FINISH                                 | CUSTOMER DRAWING                  | 5:1   | 4 OF 5    |
| -                                      | -                                      |                                   |   | REV A2    |

THIS DRAWING IS UNPUBLISHED. RELEASED FOR PUBLICATION 2011  
 © COPYRIGHT 2011 ALL RIGHTS RESERVED.

| REVISIONS |     |             |      |      |
|-----------|-----|-------------|------|------|
| P         | LTR | DESCRIPTION | DATE | APVD |
| -         |     | SEE SHEET 1 | -    | -    |
|           |     |             |      |      |
|           |     |             |      |      |



- 1 MATERIAL: GLASS FILLED NYLON, COLOR; BLACK
- 2 COMPATIBLE PLUG, DRAWING NUMBER 2272975, SHOWN FOR REFERENCE.
- 3 NOTE DELETED



2272976-5  
PART NUMBER

|  |  |                                   |   |               |
|--|--|-----------------------------------|---|---------------|
| THIS DRAWING IS A CONTROLLED DOCUMENT. |  | DWN<br>D. DRUMMOND<br>22SEP2014   | TE Connectivity   |               |
| DIMENSIONS:                            |  | CHK<br>S. MANKARYOS<br>22SEP2014  |   |               |
| mm                                     | TOLERANCES UNLESS OTHERWISE SPECIFIED: | APVD<br>S. MANKARYOS<br>22SEP2014 | NAME<br>WIRE DRESS, 6 POSITION,<br>SEALED, MCON 1.2mm FOR STANDARDIZED<br>MOUNTING RAIL |               |
| 0 PLC                                  | ±                                      | PRODUCT SPEC                      | SIZE  | RESTRICTED TO |
| 1 PLC                                  | ±0.3                                   | -                                 | A200779   | -             |
| 2 PLC                                  | ±0.20                                  | APPLICATION SPEC                  | C-2272976   |               |
| 3 PLC                                  | ±                                      | -                                 | SCALE 5:1   | SHEET 5 OF 5  |
| 4 PLC                                  | ±                                      | WEIGHT                            |   | REV A2        |
| ANGLES                                 | ±1°                                    | CUSTOMER DRAWING                  |   |               |
| FINISH                                 | -                                      |                                   |   |               |