

4

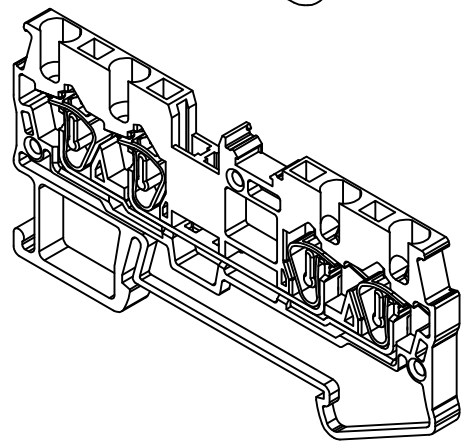
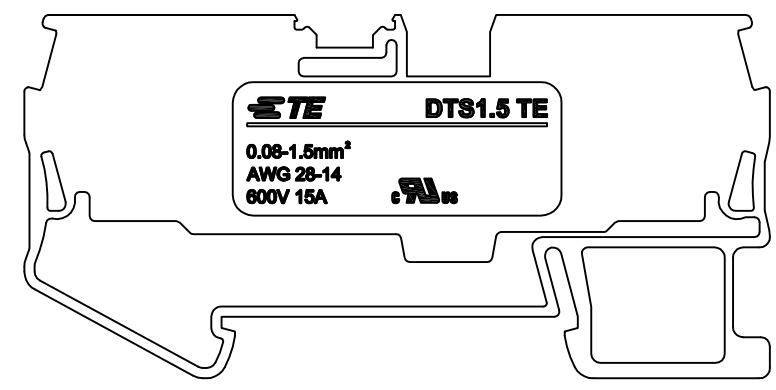
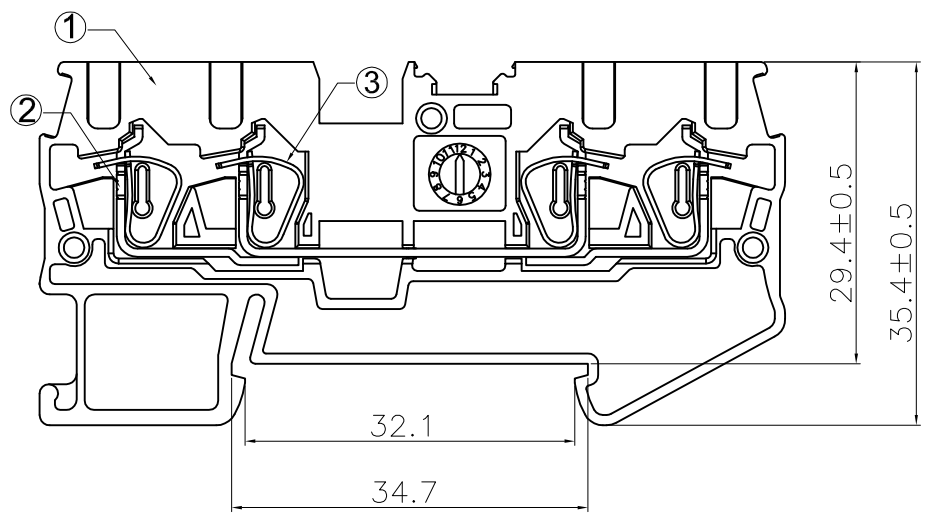
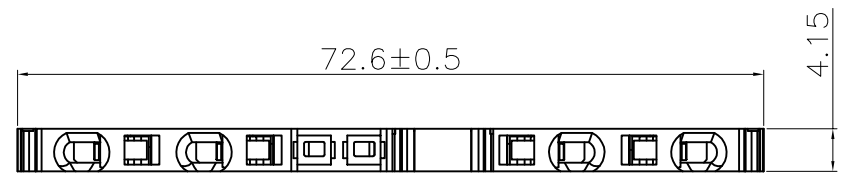
3

2

1

THIS DRAWING IS UNPUBLISHED. RELEASED FOR PUBLICATION
 © COPYRIGHT - By - ALL RIGHTS RESERVED.

REVISIONS				
P	LTR	DESCRIPTION	DATE	APVD
A		OFFICIAL VERSION RELEASED	20SEP2015	F.Y X.X
A1		PER ECR-15-015708	28OCT2015	F.Y X.X
A2		PER ECR-16-006247	16JUN2016	F.Y X.X



- NOTE:**
1. Material: See Table
 2. Rated current & voltage : 15Amp 600V
 3. Rated surge voltage: 6KV
 4. Operation temperature : -40°C to +105°C
 5. Wire strip length: 8mm -10mm
 6. Suitable wire size : 28 - 14 AWG
 7. Requirement for environmental substance must be compliance with ROHS and REACH.
 8. Recommended support rail requirements refer to 114 application specification.

DTS1.5 TE	2271554-2	BLUE
	2271554-1	GRAY
TE SERIES No.	PART NUMBER	COLOR

ITEM	COMPONENTS	MATERIAL	Q'TY	PLATING
3	SPRING CLAMP	STAINLESS STEEL	4	
2	TERMINAL	COPPER	1	Tin PLATED
1	HOUSING	THERMOPLASTIC	1	

THIS DRAWING IS A CONTROLLED DOCUMENT.		DWN FENCER YU 16JUN2016	STE TE Connectivity	
		CHK KOBBY ZHAO 16JUN2016		
DIMENSIONS: mm		APVD XIANG XU 16JUN2016	NAME	
TOLERANCES UNLESS OTHERWISE SPECIFIED:		PRODUCT SPEC	1.5mm ² WIRE 2 IN 2 OUT SPRING CLAMP TYPE TERMINAL BLOCK	
		APPLICATION SPEC	SIZE	
0 PLC ± 0.50 1 PLC ± 0.35 2 PLC ± 0.30 3 PLC ± 4 PLC ANGLES ± 3°		108-137138	CAGE CODE	
MATERIAL		114-137138	DRAWING NO	
FINISH		0.000000	A300779	
		CUSTOMER DRAWING	C=2271554	
		SCALE 1:1	RESTRICTED TO	
		SHEET 1 OF 1	REV A2	