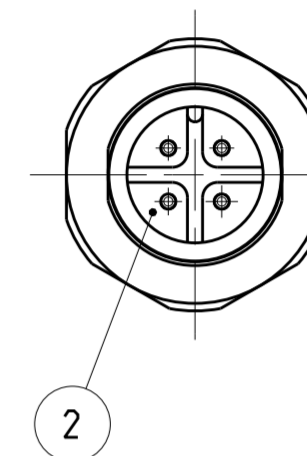
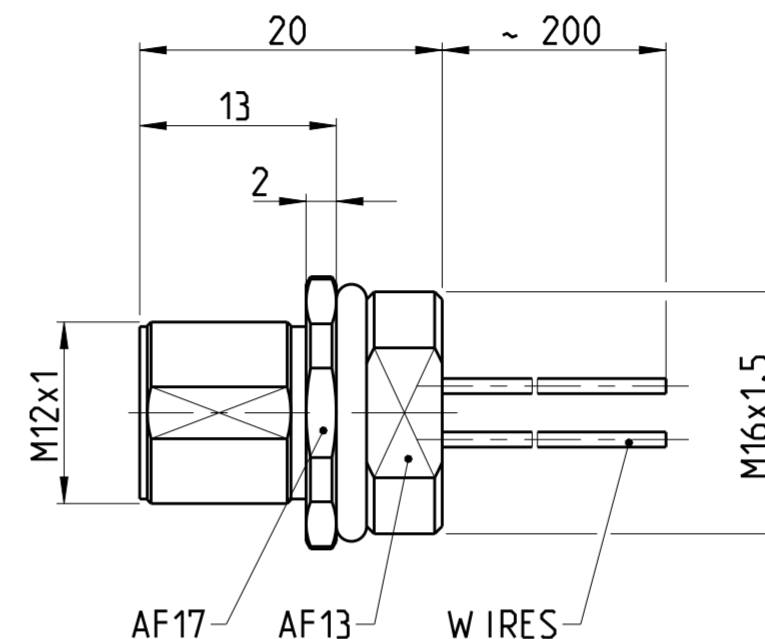
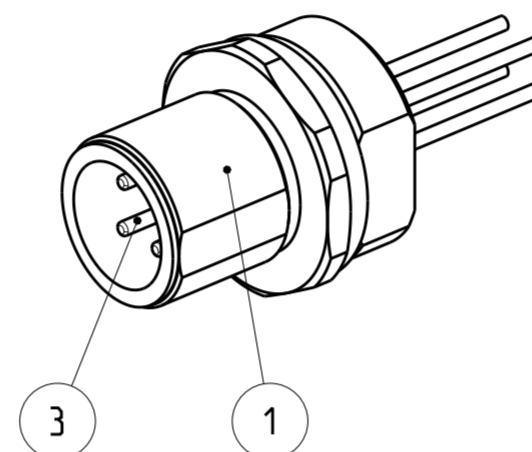
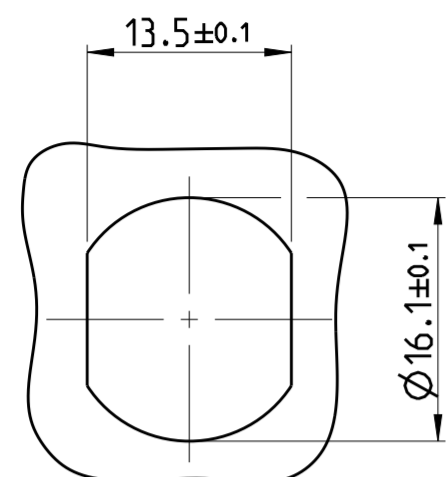


P	LTR	REVISIONS ÄNDERUNGEN DESCRIPTION BESCHREIBUNG	DATE	DWN	APVD
	A1	DRAWING PUBLISHED	09JUN2014	YR	CS
	A2	3-2271134-2 AND 4-2271134-2 DISCONTINUED	25SEP2017	TJ	NG

RECOMMENDED CUT-OUT



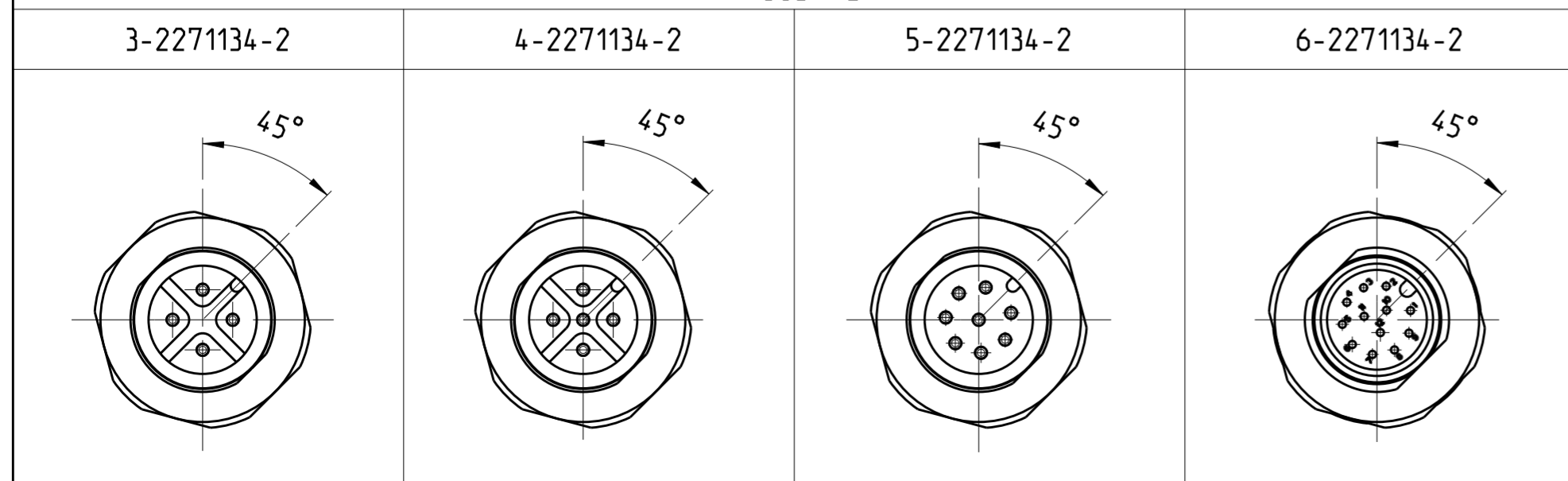
TECHNICAL DATA	3-2271134-2	4-2271134-2	5-2271134-2	6-2271134-2
RATED VOLTAGE	250V	125V	60V	30V
RATED IMPULSE VOLTAGE	2500V	1500V	800V	500V
POLLUTION DEGREE	3	3	3	3
OVERVOLTAGE CATEGORY	II	II	II	II
MATERIAL GROUP	II	II	II	II
RATED CURRENT	4A	4A	2A	2A
VOLUME RESISTIVITY	≤ 3mΩ	≤ 3mΩ	≤ 3mΩ	≤ 3mΩ
DEGREE OF PROTECTION	IP68	IP68	IP68	IP68
UPPER TEMPERATURE	+85 °C	+85 °C	+85 °C	+85 °C
LOWER TEMPERATURE	-40 °C	-40 °C	-40 °C	-40 °C

- ⚠ MATERIAL: ITEM NO. 1: HOUSING - ZINC DIE-CAST  
FINISH: NICKEL-PLATED  
ITEM NO. 2: CONTACT BODY - PA  
ITEM NO. 3: CONTACT - CuZn  
FINISH: Au

- 2 ALL DIMENSIONS ARE FOR NOMINAL REFERENCE ONLY UNLESS OTHERWISE STATED  
3 MEASUREMENT REFERENCE ONLY  
4 PACKAGING: 1 PIECE IN A BAG  
5 PANEL MOUNT NUT PN 2823066-1 TO BE ORDERED SEPARATELY

3--2 AS SHOWN  
WIE GEZEICHNET

PIN ARRANGEMENT  
A-CODING



SIZE ISO 14405 (E)

DIESE ZEICHNUNG IST EIN KONTROLLIERTES DOKUMENT. BEMASSUNGEN UND TOLERANZEN GEMAESS GPS (ISO STANDARDS).		THIS DRAWING IS A CONTROLLED DOCUMENT. DIMENSIONING AND TOLERANCING PER GPS (ISO STANDARDS).	
DIMENSIONS: MASSEINHEITEN: (MM)		TOLERANCES UNLESS OTHERWISE SPECIFIED: ALLGEMEINTOLERANZEN	
MATERIAL		FINISH/OBERFLÄCHE/FARBE	
-		-	
-		-	

WIRES AWG / mm <sup>2</sup>	MATERIAL	NUMBER OF POLES	TE-PART-NO.
26 / 0.14mm <sup>2</sup>	⚠	12	6-2271134-2
24 / 0.25mm <sup>2</sup>	⚠	8	5-2271134-2
24 / 0.25mm <sup>2</sup>	⚠	5	<del>4-2271134-2</del>
24 / 0.25mm <sup>2</sup>	⚠	4	<del>3-2271134-2</del>

DWN YASHKUMAR 09JUN2014		CHK M.STRELOW 09JUN2014	
APVD C.SCHREITLINGER 09JUN2014		NAME	
PRODUCT SPEC		M12 MALE PANEL MOUNT CONNECTOR SOLDER TERMINALS, A-CODING	
APPLICATION SPEC		-	
SIZE	CAGE CODE	DRAWING NO.	RESTRICTED TO
A2	00779	C-2271134	MUR FÜR
Customer Drawing		SCALE	SHEET
/KUNDENZEICHNUNG		MASSSTAB	BLATT
2:1		1 OF	REV
1		1	A2