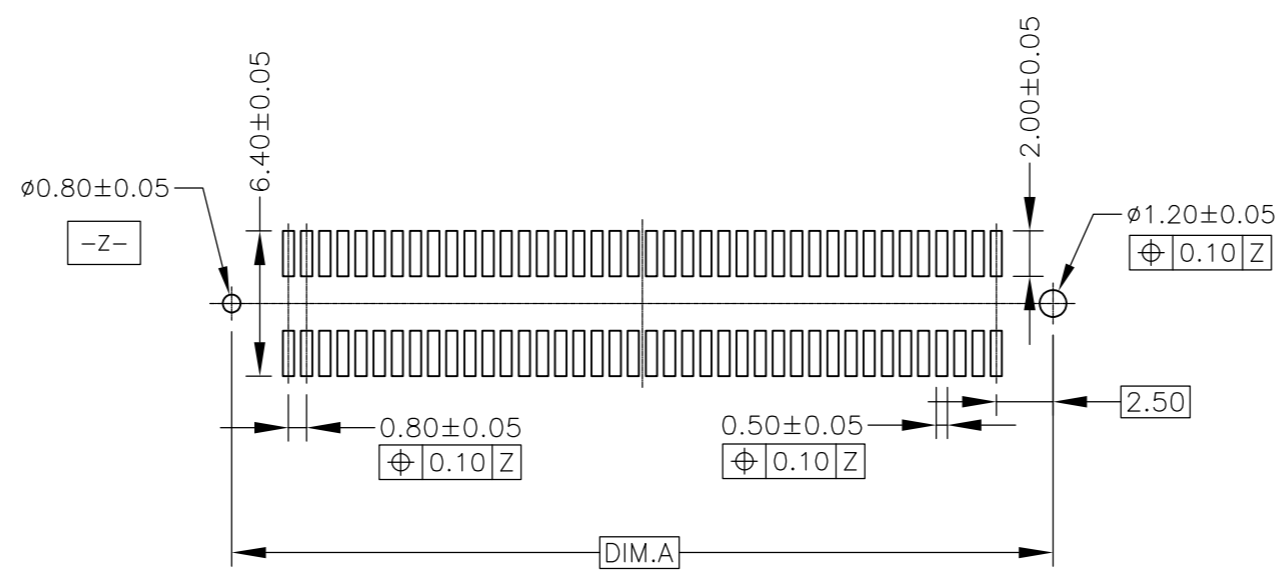
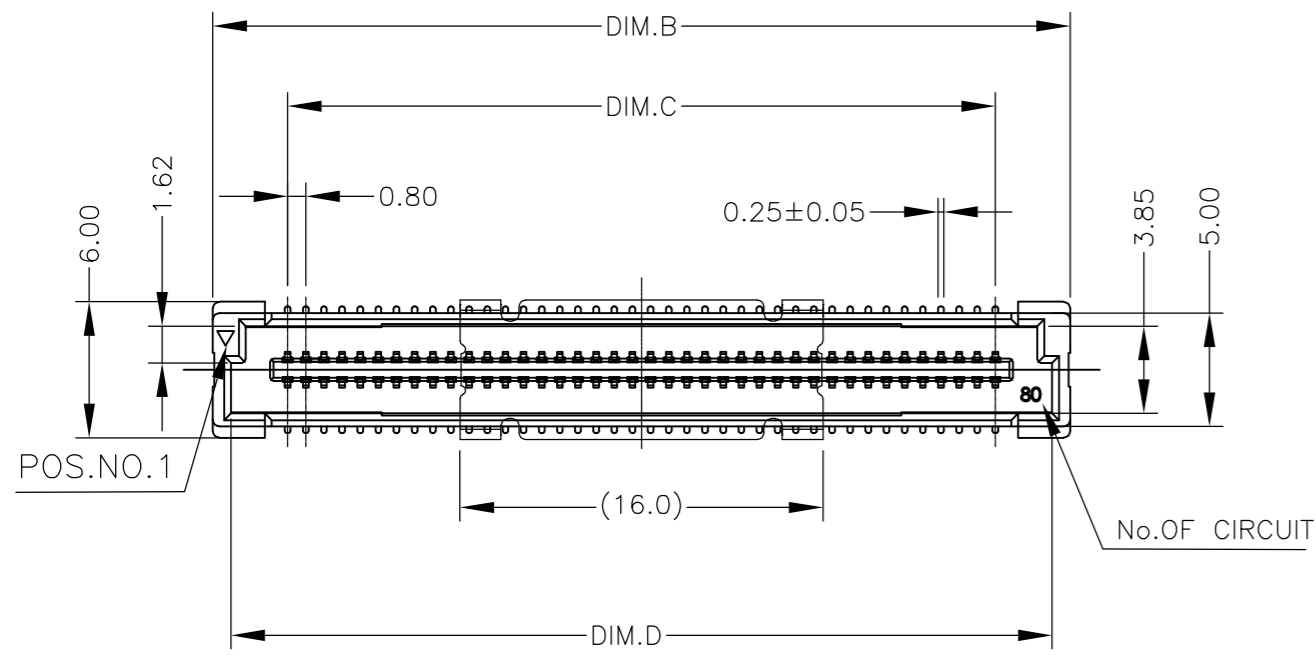


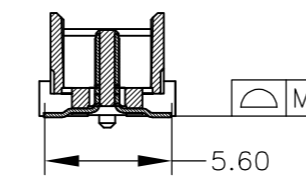
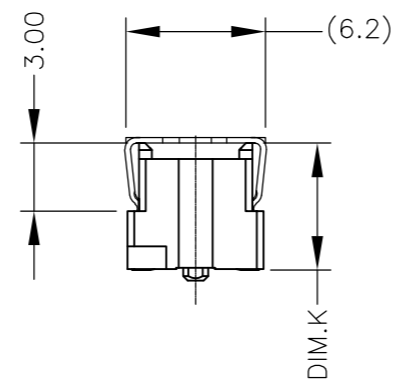
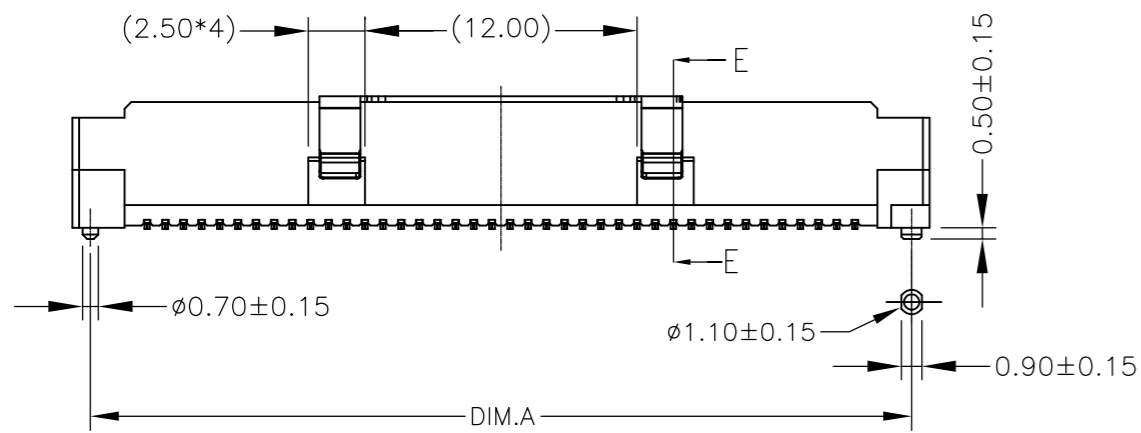
THIS DRAWING IS UNPUBLISHED. RELEASED FOR PUBLICATION
 © COPYRIGHT - By - ALL RIGHTS RESERVED.

LOC		DIST		REVISIONS			
P	LTR	DESCRIPTION	DATE	DWN	APVD		
-	-	SEE SHEET 1	-	-	-		

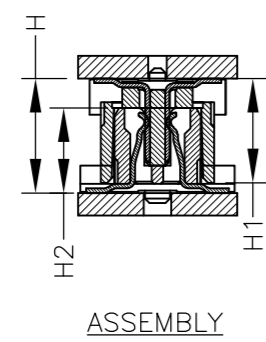


RECOMMENDED P.C.B LAYOUT
(COMPONENT SIDE)

- PRODUCT SPECIFICATION:
- CURRENT RATING:0.5AMP
 - CONTACT RESISTANCE:30mΩ MAX
 - WITHSTAND VOLTAGE:100V AC/DC
 - INSULATION RESISTANCE:500MΩ MIN
 - OPERATION TEMPERATURE:-40°C TO +125°C
 - CONTACT MATERIAL:COPPER ALLOY
 - CAP MATERIAL:SUS,T=0.25MM
 - HOUSING MATERIAL:HIGH TEMPERATURE MATERIAL (UL94V-0), NATURE
 - PACKING:TAPE&REEL+CAP
 - COPLANARITY: <80PINS THE "M" IS 0.10MM MAX
≥80PINS THE "M" IS 0.12MM MAX
FOR ALL CONTACTS
 - RECOMMENDED SOLDERING PROCESS: REFLOW
PEAK TEMPRATURE: 260°C



SECTION E-E
SCALE 2:1



7.60	*-2271071-*
6.60	*-2271070-*
5.60	*-2271069-*
4.60	*-2271068-*
DIM.K (MALE HEIGHT)	PART NUMBER LIST

ASS'Y HEIGHT (H)	PLUG (H1)	SOCKET (H2)	ASS'Y HEIGHT (H)	PLUG (H1)	SOCKET (H2)	ASS'Y HEIGHT (H)	PLUG (H1)	SOCKET (H2)
5.00	4.60	3.75	9.00	4.60	7.75	13.00	4.60	11.75
6.00	5.60		10.00	5.60				
7.00	6.60		11.00	6.60				
8.00	7.60		12.00	7.60				

10U"GOLD/MATTE TIN	84.20	79.20	85.80	84.20	200	1-2271068-9
	76.20	71.20	77.80	76.20	180	1-2271068-8
	68.20	63.20	69.80	68.20	160	1-2271068-7
	60.20	55.20	61.80	60.20	140	1-2271068-6
	52.20	47.20	53.80	52.20	120	1-2271068-5
	44.20	39.20	45.80	44.20	100	1-2271068-4
	36.20	31.20	37.80	36.20	80	1-2271068-3
3U"GOLD/MATTE TIN	28.20	23.20	29.80	28.20	60	1-2271068-2
	20.20	15.20	21.80	20.20	40	1-2271068-1
	84.20	79.20	85.80	84.20	200	2271068-9
	76.20	71.20	77.80	76.20	180	2271068-8
	68.20	63.20	69.80	68.20	160	2271068-7
	60.20	55.20	61.80	60.20	140	2271068-6
	52.20	47.20	53.80	52.20	120	2271068-5
FINISH	44.20	39.20	45.80	44.20	100	2271068-4
	36.20	31.20	37.80	36.20	80	2271068-3
	28.20	23.20	29.80	28.20	60	2271068-2
	20.20	15.20	21.80	20.20	40	2271068-1
	DIM.D	DIM.C	DIM.B	DIM.A	POS	PN

THIS DRAWING IS A CONTROLLED DOCUMENT.

DIMENSIONS: mm	TOLERANCES UNLESS OTHERWISE SPECIFIED: 0 PLC ± 1 PLC ± 2 PLC ± 0.30 3 PLC ± 4 PLC ±	DWN BO CAO CHK KOBBY ZHAO APVD XIANG XU PRODUCT SPEC 108-137026 APPLICATION SPEC	15APR14 TE Connectivity NAME AMPMODU, PIN HEADER, 0.80 PITCH FH, 4.60 HEIGHT, SMT TYPE
MATERIAL SEE TABLE	FINISH SEE TABLE	WEIGHT -	SIZE A2 CAGE CODE 00779 DRAWING NO C=2271068 RESTRICTED TO -
CUSTOMER DRAWING		SCALE 2:1	SHEET 1 OF 1 REV A