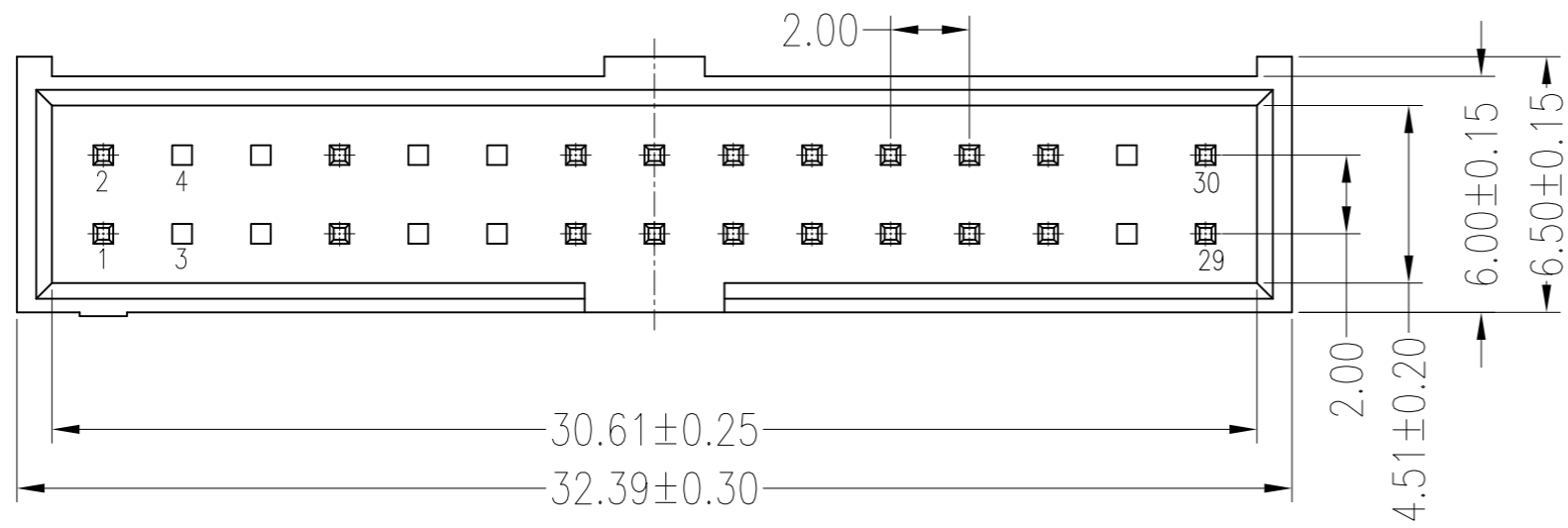


THIS DRAWING IS UNPUBLISHED.
 RELEASED FOR PUBLICATION
 ALL RIGHTS RESERVED.

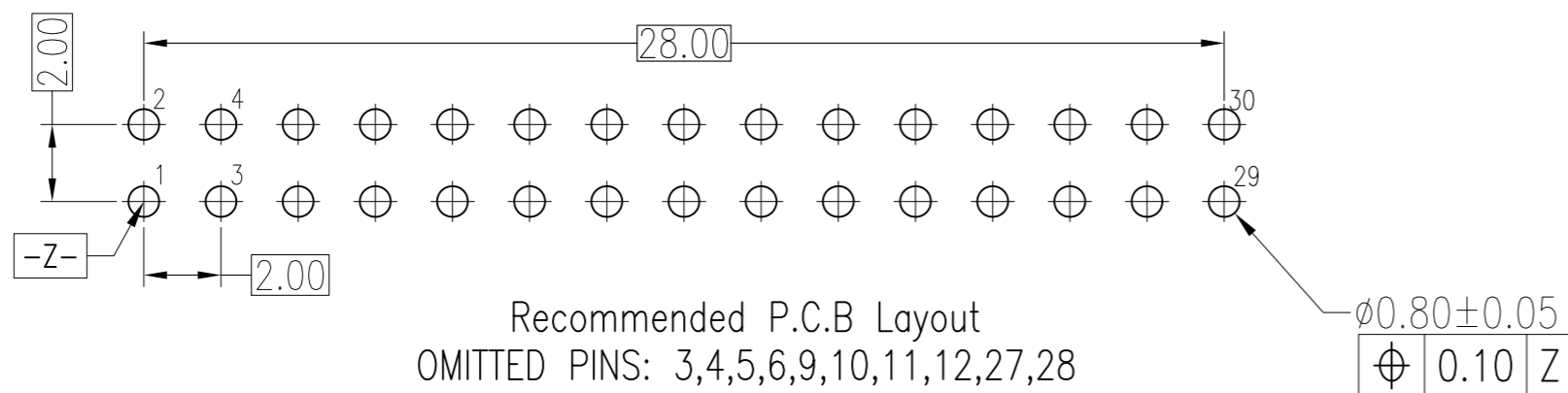
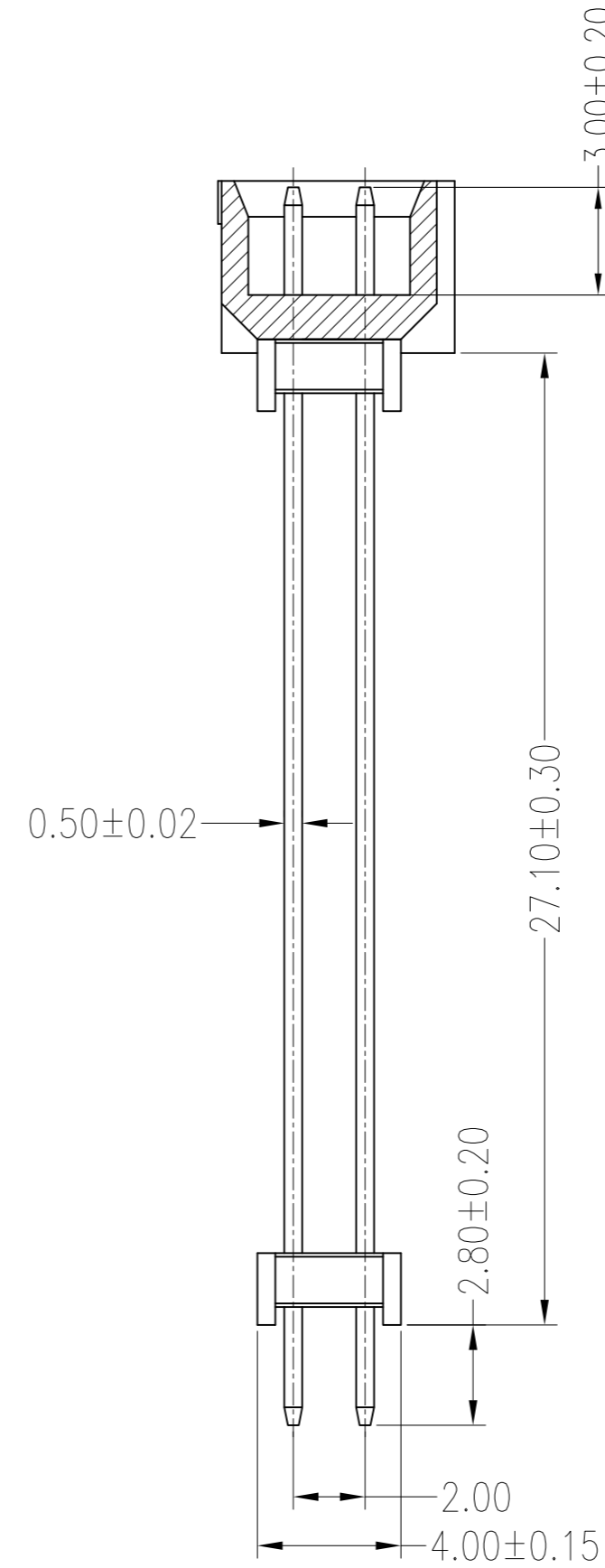
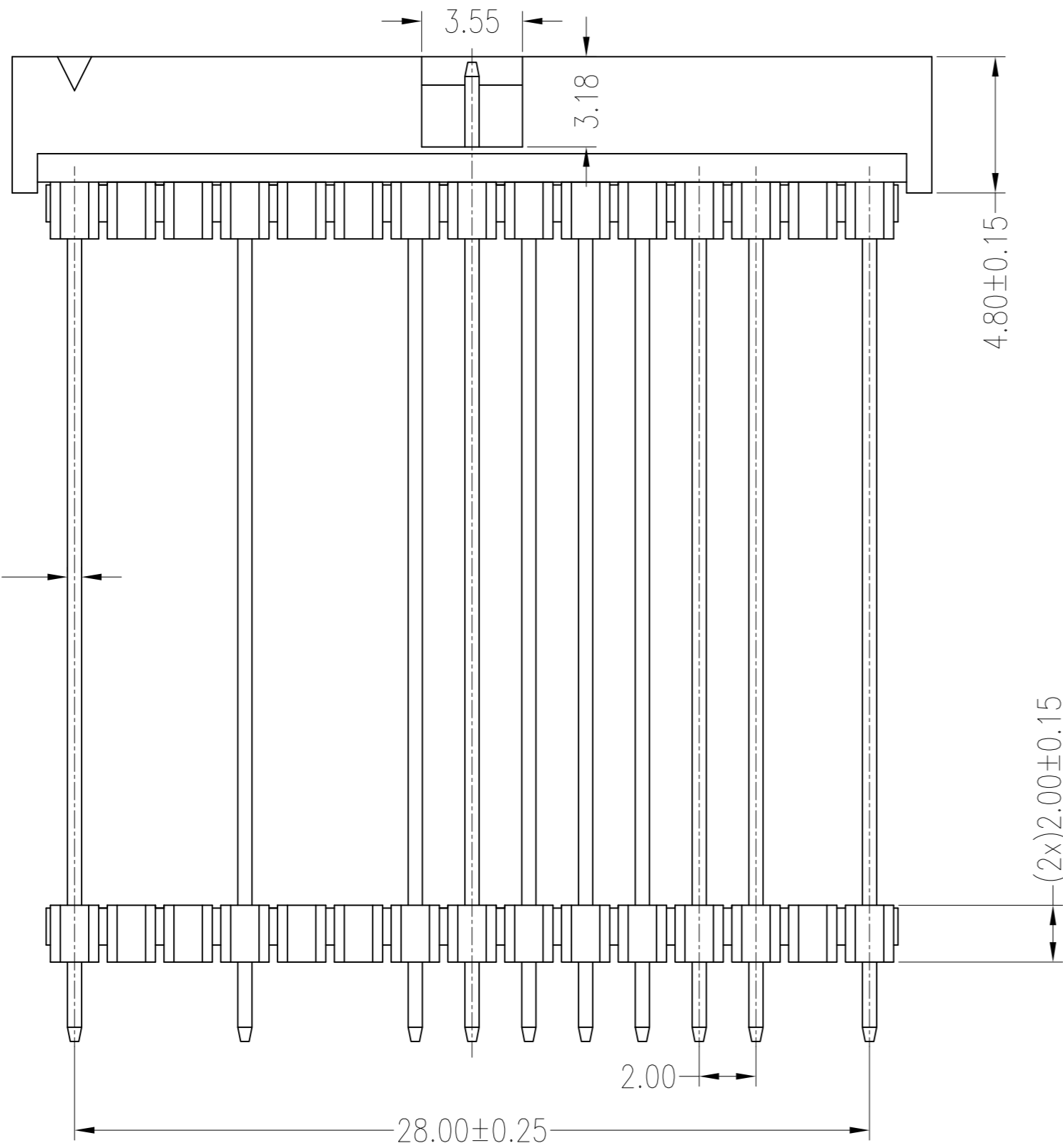
LOC		DIST		REVISIONS			
P	LTR	DESCRIPTION	DATE	DWN	APVD		
-	-	-	-	-	-	-	-



- PRODUCT SPECIFICATION:
- Rated Current: 1.5AMP.
 - Contact Resistance: 20mΩ Max.
 - Withstand Voltage: 500V AC/DC
 - Insulation Resistance: 1000MΩ Min.
 - Operation Temperature: -40°C to +105°C
 - Recommend Soldering Process:
Wave Soldering 260°
 - Packaging: Tube

MATERIAL:
 CONTACT: COPPER ALLOY
 HOUSING: HIGH-TEMPRETURE PLASTIC,
 UL94V-0 BLACK

FINISH:
 GOLD FLASH ALL OVER NICKEL



PART NUMBER AS SHOWN: 2271008-1

THIS DRAWING IS A CONTROLLED DOCUMENT.		DWN ETHAN CHENG 25-NOV-13		
DIMENSIONS: mm		CHK KOBBOY ZHAO 26-NOV-13		
TOLERANCES UNLESS OTHERWISE SPECIFIED:		APVD XU XIANG 27-NOV-13	NAME	
0 PLC ± -		PRODUCT SPEC		AMPMODU, 2.00PITCH, 30 POSITION, SHOUED PIN HEADER, THROUGH HOLE
1 PLC ± -		APPLICATION SPEC		
2 PLC ± 0.25		108-137777		
3 PLC ± -		-		
4 PLC ± -		-		SIZE
ANGLES ± -		-		CAGE CODE
FINISH		-		DRAWING NO
MATERIAL		-		RESTRICTED TO
SEE NOTES		-		A200779
		CUSTOMER DRAWING		SCALE
				1:1
				SHEET
				1 of 1
				REV
				A1