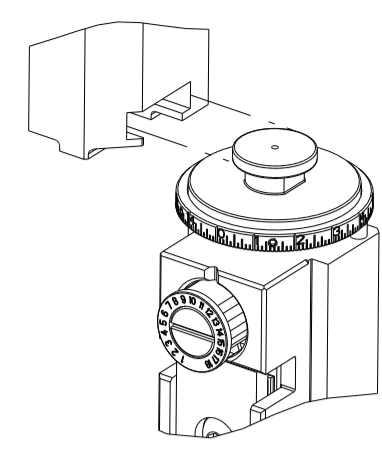


| PART NUMBER | REVISION | DESCRIPTION | FEED TYPE |
|-------------|----------|----------------------------------|------------|
| 2266314-1 | D | FINE CRIMP HEIGHT ADJUST | MECHANICAL |
| 2266314-2 | D | FINE CRIMP HEIGHT ADJUST | PNEUMATIC |
| 7-2266314-1 | D | MECHANICAL AND CRIMP TOOLING KIT | MECHANICAL |
| 7-2266314-2 | D | PNEUMATIC AND CRIMP TOOLING KIT | PNEUMATIC |
| 7-2266314-7 | A | CRIMP TOOLING KIT | - |

ATLANTIC VERSION TERMINATOR INTERFACE ADAPTER



| APPLICATOR DATA | | |
|-----------------|----------------|------|
| CRIMP | SIZE | TYPE |
| WIRE | 2.79 mm [.110] | F |
| INSUL | 4.57 mm [.180] | O |

APPLICATOR INSTRUCTIONS 408-35042

| TERMINAL DATA: TE TERMINAL | | TE CRIMP SPECIFICATION | |
|---------------------------------------|-------------|------------------------------|-------------|
| TERMINAL NAME: TAB FASTON .187 SERIES | | | |
| WIRE STRIP LENGTH | | INSULATION DIAMETER RANGE | |
| 5.29-5.89 mm [.208-.232 IN] | | ∅3.05-3.81 mm [.120-.150 IN] | |
| TERMINAL APPLICATION SPECIFICATION | 114-2036 | | |
| TERMINALS APPLIED | | | |
| TE TERMINAL | TE TERMINAL | TE TERMINAL | TE TERMINAL |
| 341340-1 | 60850-1 | 61687-2 | |
| 341340-2 | 60850-2 | | |

| WIRE SIZE | CRIMP HEIGHT mm [INCH] | CRIMP HEIGHT REFERENCE SETTING |
|-----------|----------------------------|--------------------------------|
| 14 AWG | 2.16+/-0.05 [.085+/- .002] | 4.9 |
| 16 AWG | 1.93+/-0.05 [.076+/- .002] | 7.3 |
| 18 AWG | 1.78+/-0.05 [.070+/- .002] | 8.9 |

- RECOMMENDED SPARE PARTS
- REFER TO SUPPLIED INSTRUCTION SHEET FOR CLEANING, LUBRICATION AND STORAGE OF APPLICATOR.
- APPLY PART NUMBER 2-23419-6 LOCTITE TO THREADS OF ITEM 242.
- CRIMP HEIGHT REFERENCE SETTING WAS THE SETTING USED WHEN THE APPLICATOR WAS QUALIFIED AT THE FACTORY. ADJUSTMENT MAY BE NECESSARY WHEN RUNNING APPLICATOR IN THE FIELD.
- TERMINAL LUBRICANT IS RECOMMENDED.
- 6. UNLESS SPECIFIED OTHERWISE TORQUE VALUES SHALL BE USED PER DOCUMENT, 101-35000.

***WARNING**
ON INSTALLATION, SET WIRE DISC TO CRIMP HEIGHT REFERENCE SETTING FOR LARGEST WIRE SIZE. CRIMP HEIGHT REFERENCE SETTINGS GREATER THAN THE VALUE SHOWN MAY CAUSE DAMAGE TO THE CRIMP TOOLING. REFER TO THE INSTRUCTION SHEET FOR PROPER SETUP AND ADJUSTMENTS.

| LOC | DIST | REVISIONS | | | | | |
|-----|------|-----------|-----|---------------|-----------|-----|------|
| A | 66 | P | LTN | DESCRIPTION | DATE | OWN | APPD |
| | | A | | RELEASE | 15JUL2014 | XZ | TE |
| | | B | | ECR-19-005582 | 06APR2019 | TB | CT |
| | | C | | ECR-19-018770 | 04DEC2019 | MZ | SJ |
| | | D | | ECR-23-180796 | 10JUL2023 | JWC | ROY |

| | | | | | | | |
|---|-----|-----|-----|-----|-------------|-------------------------------------|-----|
| - | 1 | - | 1 | - | 2119641-1 | FEED CAM, AIR FEED | 248 |
| - | 1 | 1 | 1 | 1 | 2119082-7 | CAM, SNAIL, INSULATION ADJUSTMENT | 244 |
| - | 1 | 1 | 1 | 1 | 2079764-1 | WASHER, WAVE SPRING, CREST-TO-CREST | 243 |
| | 1 | 1 | 1 | 1 | 2119083-1 | RETAINER, INSULATION DIAL | 242 |
| - | 1 | 1 | 1 | 1 | 7-18023-7 | SCR, SKT HD CAP M3 X 4.0 | 241 |
| - | - | 1 | - | 1 | 2119580-1 | MECHANICAL FEED ASSEMBLY | 239 |
| - | 1 | - | 1 | - | 2844940-1 | AIR FEED MODULE | 238 |
| - | REF | REF | REF | REF | 994970-2 | COUNTER, MAGNETIC | 164 |
| | 1 | 1 | 1 | 1 | 2119955-1 | ASSY, LUBRICATOR, SIDE FEED | 113 |
| - | 1 | 1 | 1 | 1 | 2844908-1 | SCREW, LOCKING | 99 |
| - | 1 | 1 | 1 | 1 | 2844907-1 | POST, LOCKING | 98 |
| - | 1 | 1 | 1 | 1 | 455888-5 | SPACER, CRIMPER | 82 |
| - | 1 | 1 | 1 | 1 | 1803607-3 | DOCUMENTATION PACKAGE | 71 |
| - | 1 | 1 | 1 | 1 | 2119791-5 | DEPRESSOR, WIRE | 70 |
| - | 1 | 1 | 1 | 1 | 2119943-1 | WASHER, SPACER | 69 |
| - | 1 | 1 | 1 | 1 | 2119740-1 | TAG, IDENTIFICATION | 67 |
| - | 2 | 2 | 2 | 2 | 2168078-1 | SCREW, DRIVE, RH, RoHS, 2 x .188 | 66 |
| - | 1 | 1 | 1 | 1 | 2168083-2 | SCR, SKT HD CAP, RoHS, M4 X 8.0 | 60 |
| - | 1 | 1 | 1 | 1 | 5-18022-5 | SCR, HEX HD CAP, M4 X 6.0 | 59 |
| - | 1 | 1 | 1 | 1 | 1338685-1 | PAWL, FEED | 56 |
| - | 4 | 4 | 4 | 4 | 2168083-3 | SCR, SKT HD CAP, RoHS, M4 X 12.0 | 54 |
| - | 2 | 2 | 2 | 2 | 1-2168083-0 | SCR, SKT HD CAP, RoHS, M4 X 10 | 53 |
| - | 1 | 1 | 1 | 1 | 5018030-1 | NUT, HEX, REG, RoHS, M3 | 52 |
| - | 1 | 1 | 1 | 1 | 811242-5 | BUMPER, HOLD DOWN | 51 |
| - | 1 | 1 | 1 | 1 | 690753-2 | SPACER, TONKER | 50 |
| - | 1 | 2 | 1 | 2 | 18023-9 | SCR, SKT HD CAP M4 X 6.0 | 49 |
| - | - | 1 | - | 1 | 2119652-1 | FEED CAM, PRE FEED | 48 |
| - | - | 1 | - | 1 | 2119653-1 | FEED CAM, POST FEED | 47 |
| - | 1 | 1 | 1 | 1 | 1803583-9 | APPLICATOR BASIC ASSEMBLY, SF | 46 |
| - | 1 | 1 | 1 | 1 | 1803515-1 | RAM ASSEMBLY, SF ATLANTIC | 44 |
| - | 1 | 1 | 1 | 1 | 1803602-1 | SCR, BHSC, RoHS (M8 X 25) | 41 |
| - | 1 | 1 | 1 | 1 | 1752356-9 | SUPPORT, TERMINAL | 34 |
| - | 2 | 2 | 2 | 2 | 2079383-5 | SCR, BHSC, RoHS (M4 X 20) | 33 |
| - | 2 | 2 | 2 | 2 | 3-2844962-2 | SPACER, CYLINDRICAL, STRIP GUIDE | 30 |
| - | 1 | 1 | 1 | 1 | 2844992-1 | ASSEMBLY, STRIP GUIDE | 29 |
| - | 1 | 1 | 1 | 1 | 455888-3 | SPACER, CRIMPER | 28 |
| - | 1 | 1 | 1 | 1 | 1320928-2 | STRIP GUIDE | 24 |
| - | 1 | 1 | 1 | 1 | 2168083-2 | SCR, SKT HD CAP, RoHS, M4 X 8.0 | 21 |
| - | 2 | 2 | 2 | 2 | 1-18028-2 | WASHER, FLAT, REG M4 | 20 |
| - | 1 | 1 | 1 | 1 | 2119533-1 | STRIPPER, SIDE FEED | 19 |
| | 1 | 1 | 1 | 1 | 2119806-1 | INSERT, SHEAR | 13 |
| - | 1 | 1 | 1 | 1 | 3-22280-3 | SPRING, COMPRESSION | 12 |
| - | 1 | 1 | 1 | 1 | 1-356885-4 | STOP, SHEAR | 11 |
| | 1 | 1 | 1 | 1 | 2119805-1 | SHEAR HOLDER, FRONT | 10 |
| | 1 | 1 | 1 | 1 | 1803095-6 | FLOATING SHEAR, FRONT | 9 |
| | 1 | 2 | 2 | 1 | 1-1633923-3 | ANVIL, COMBINATION | 8 |
| - | - | - | - | - | - | - | 7 |
| - | - | - | - | - | - | - | 6 |
| - | 1 | 1 | 1 | 1 | 1-2119757-0 | DEPRESSOR, SHEAR | 5 |
| - | 1 | 1 | 1 | 1 | 2-238011-1 | BLOCK, CRIMPER SPACER | 4 |
| | 1 | 2 | 2 | 1 | 6-2119784-0 | CRIMPER, INSULATION O PREMIUM | 3 |
| - | 1 | 1 | 1 | 1 | 455888-4 | SPACER, CRIMPER | 2 |
| | 1 | 2 | 2 | 1 | 7-456408-0 | CRIMPER, WIRE PREMIUM | 1 |

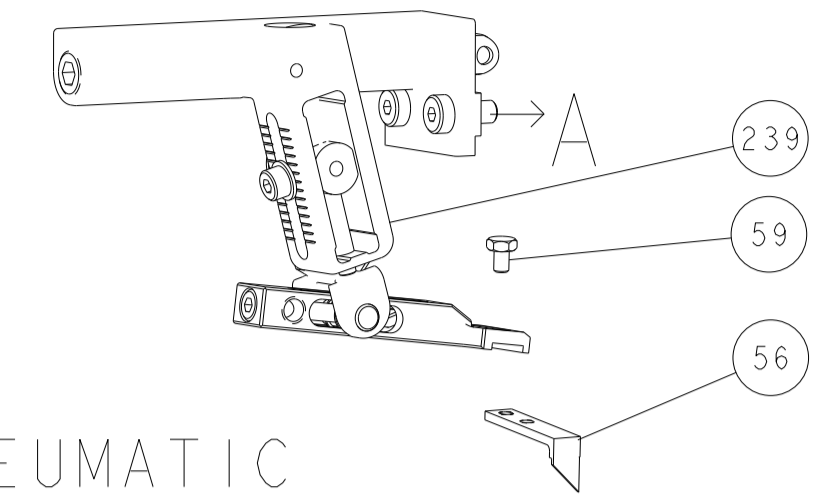
ATLANTIC VERSION
Shown on sheets 1 of 4 & 2 of 4
(Pacific version shown on sheets 3 of 4 & 4 of 4)

| DIMENSIONS: | | TOLERANCES UNLESS OTHERWISE SPECIFIED: | | MATERIAL: | | FINISH: | | WEIGHT: | | SCALE: | | SHEET: | | REV: | |
|-------------|---------|--|---------|-----------|---------|---------|--------|---------|--|--------|-------|--------|------|------|--|
| mm | 0 PLC ± | 1 PLC ± | 2 PLC ± | 3 PLC ± | 4 PLC ± | ANGLES | FINISH | | | A | 00779 | 1 | of 4 | D | |

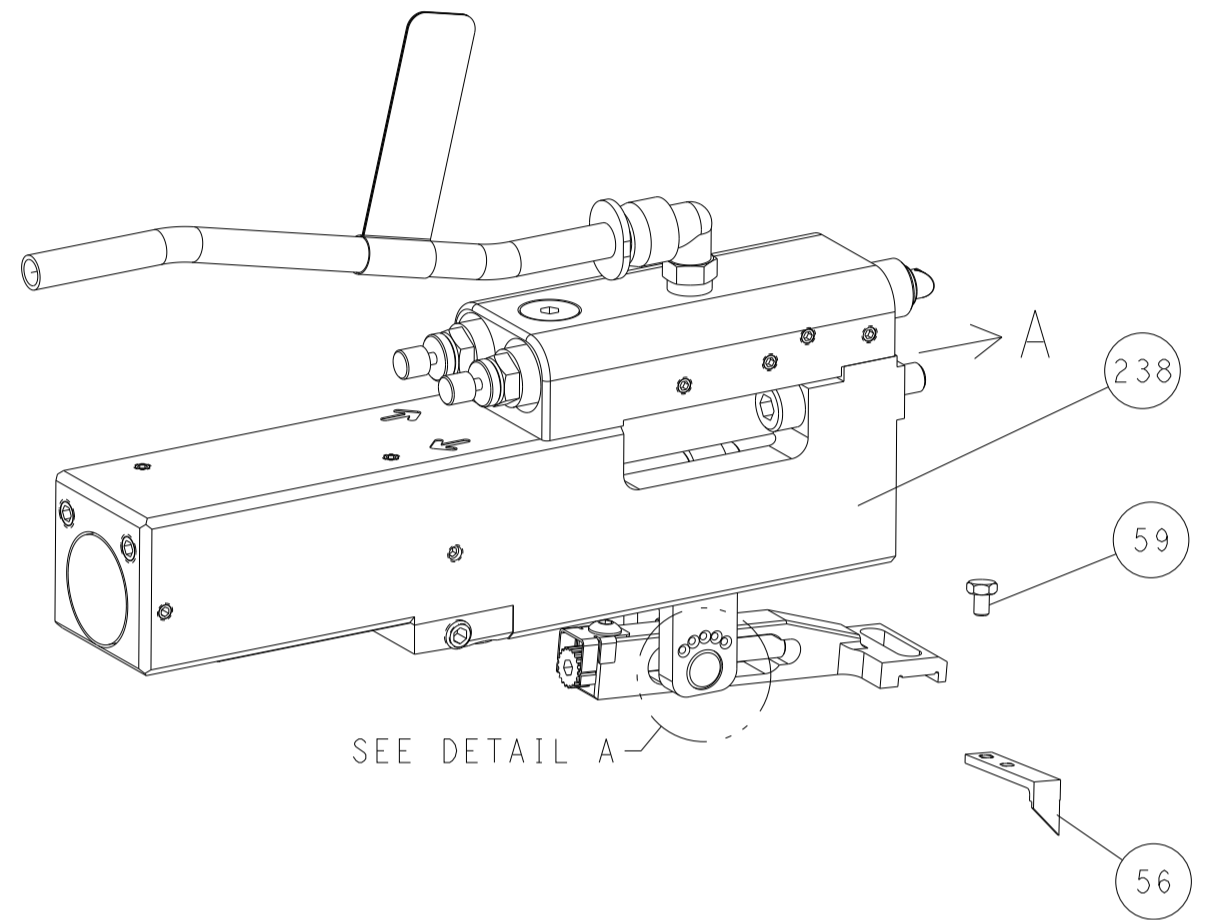
Customer Accessible Production Drawing

| LOC | DIST | REVISIONS | | | | | |
|-----|------|-----------|-----|-------------|------|-----|------|
| A | 66 | P | LTN | DESCRIPTION | DATE | OWN | APVD |
| | | - | | SEE SHEET 1 | | | |

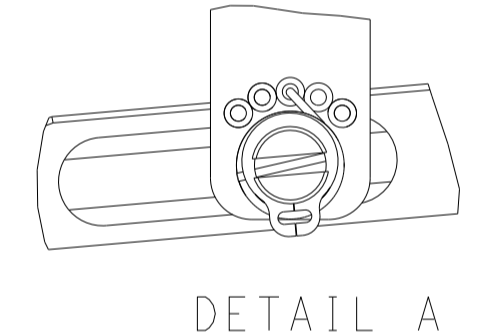
FEED TYPE MECHANICAL



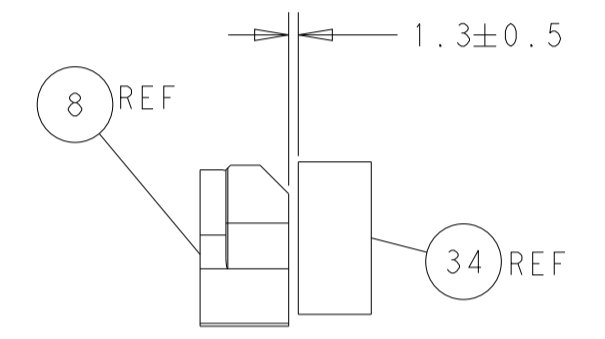
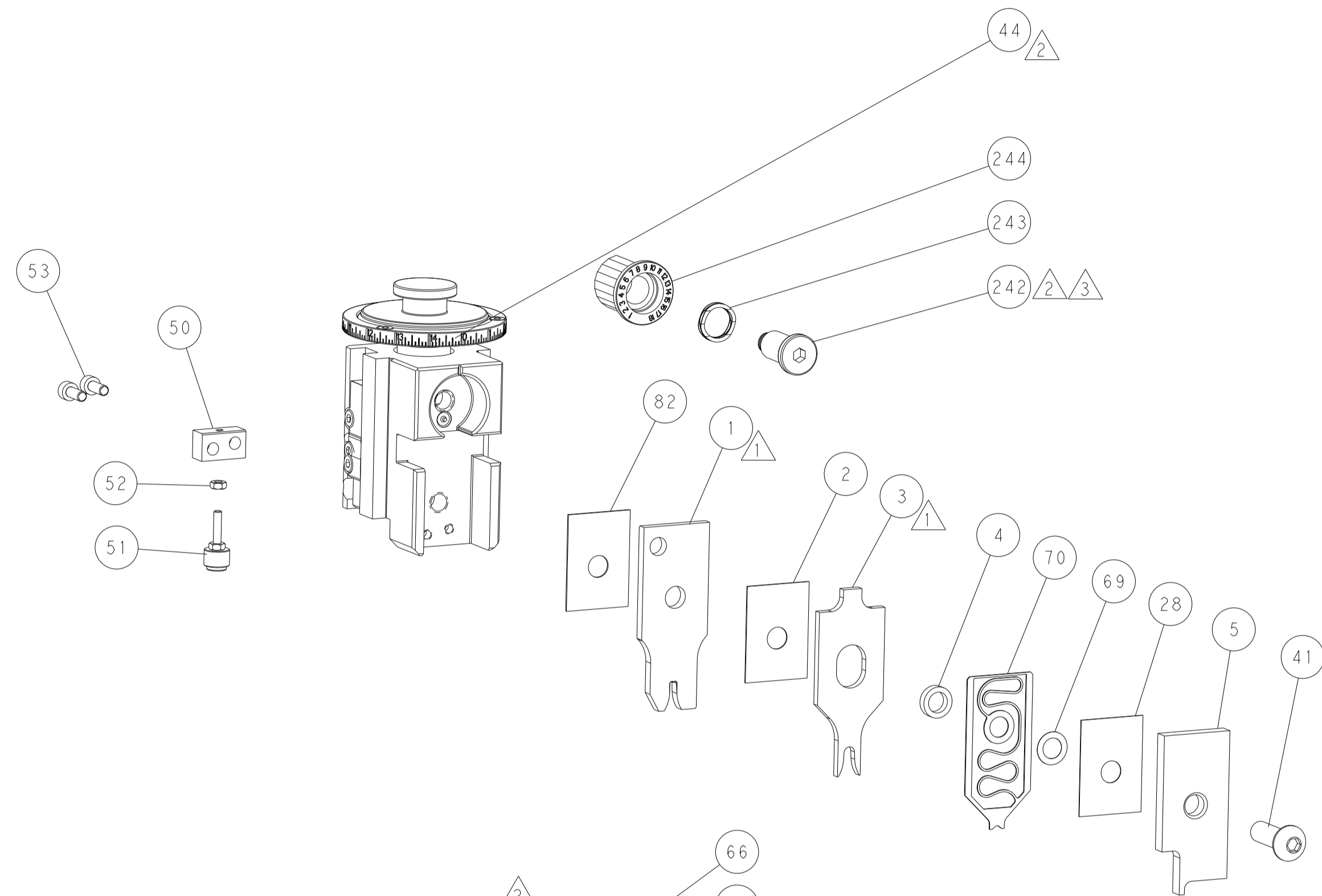
PNEUMATIC



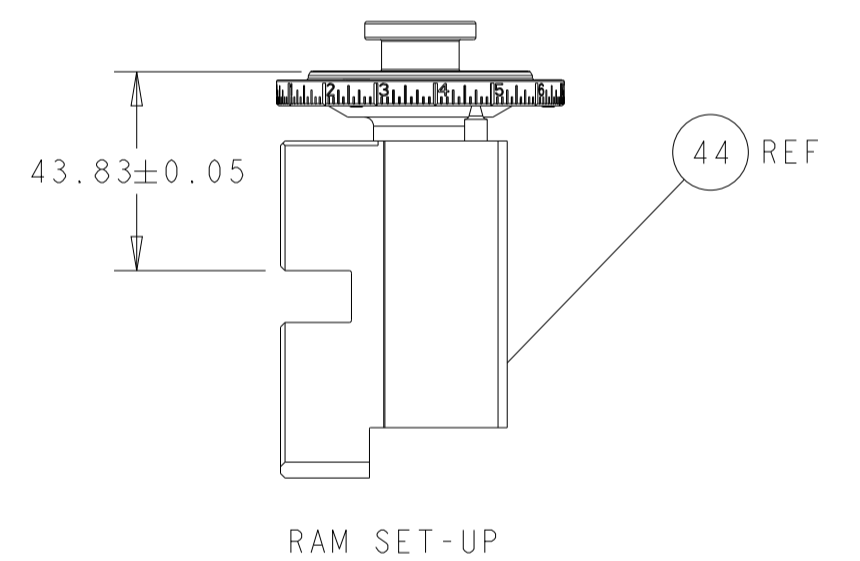
FEED SPRING SETTING POSITION (SHOWN FROM REAR SIDE)



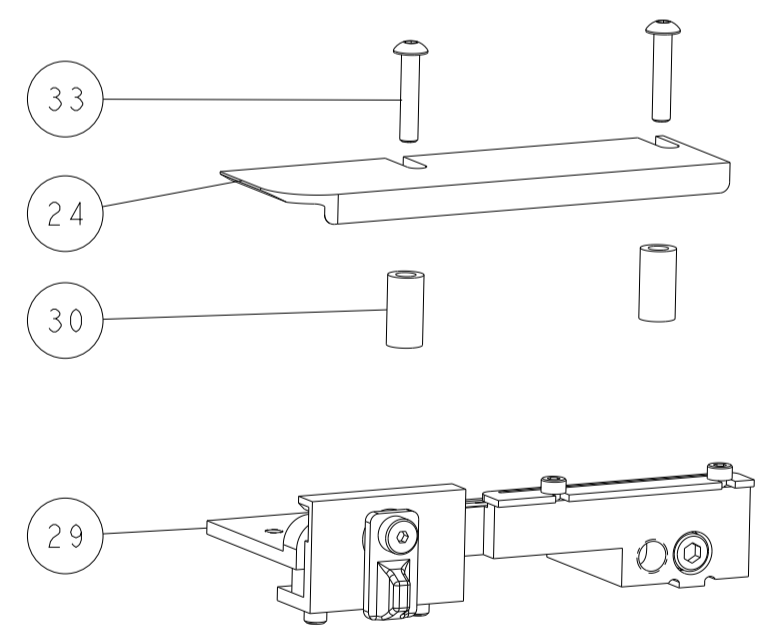
DETAIL A



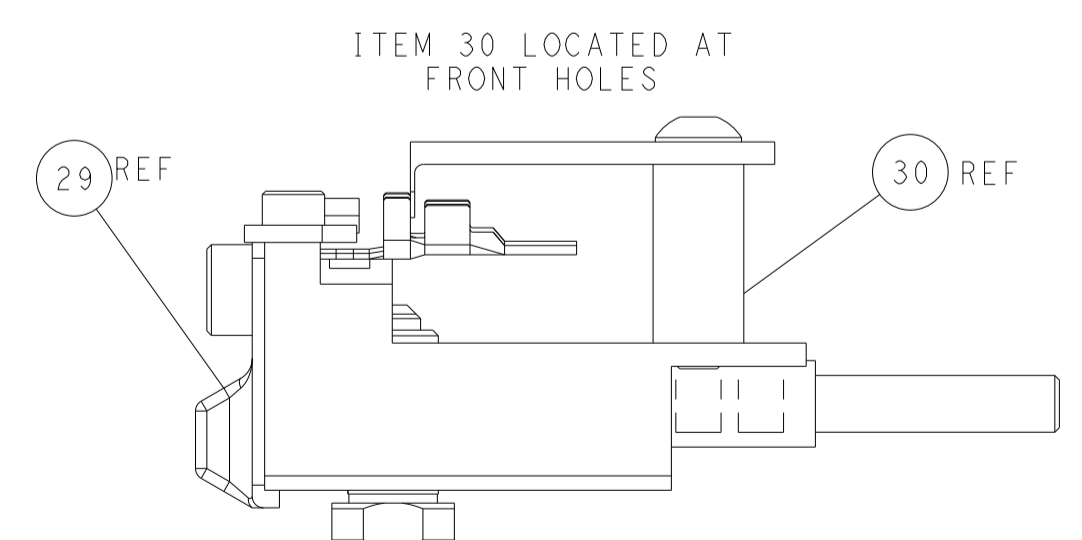
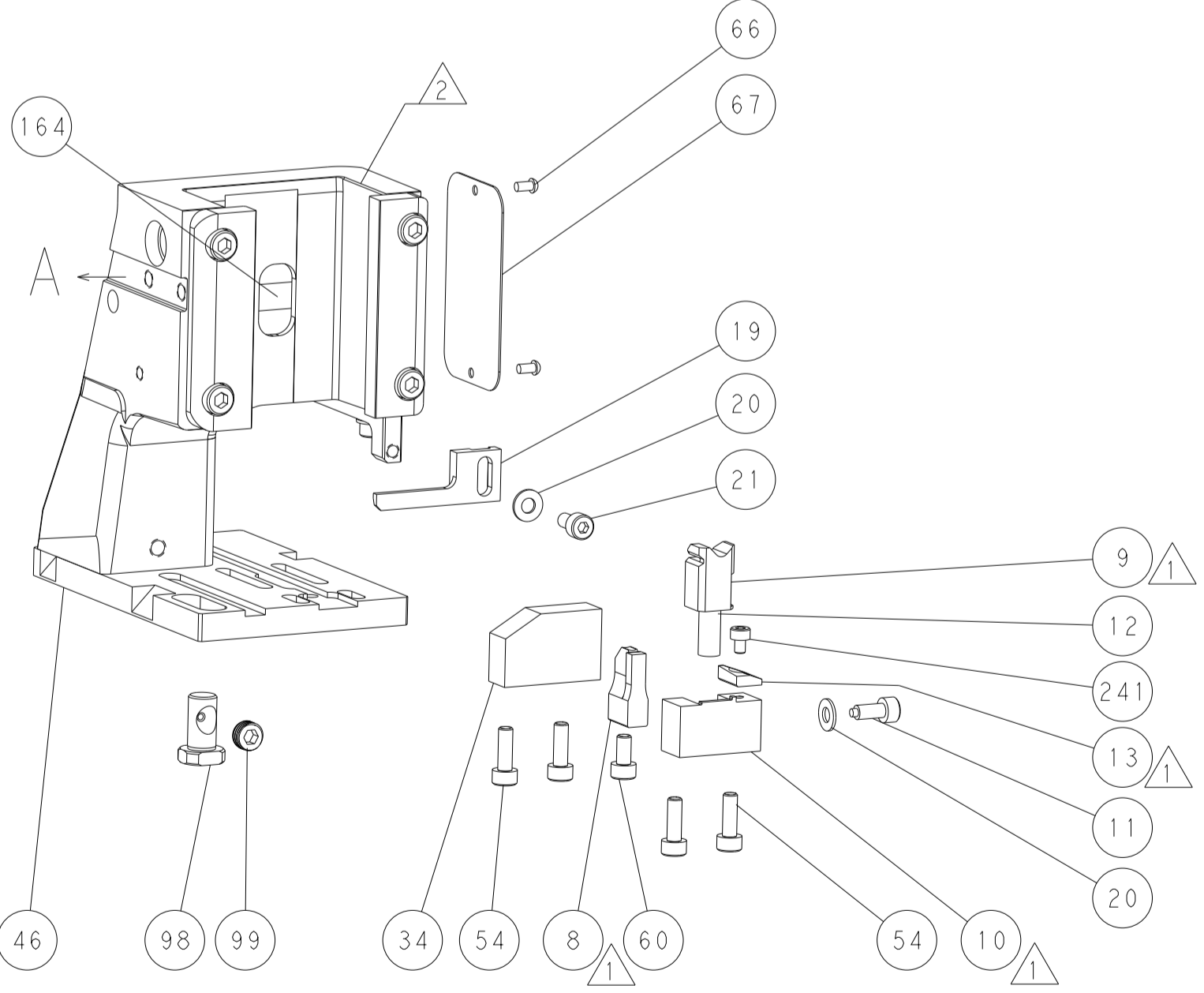
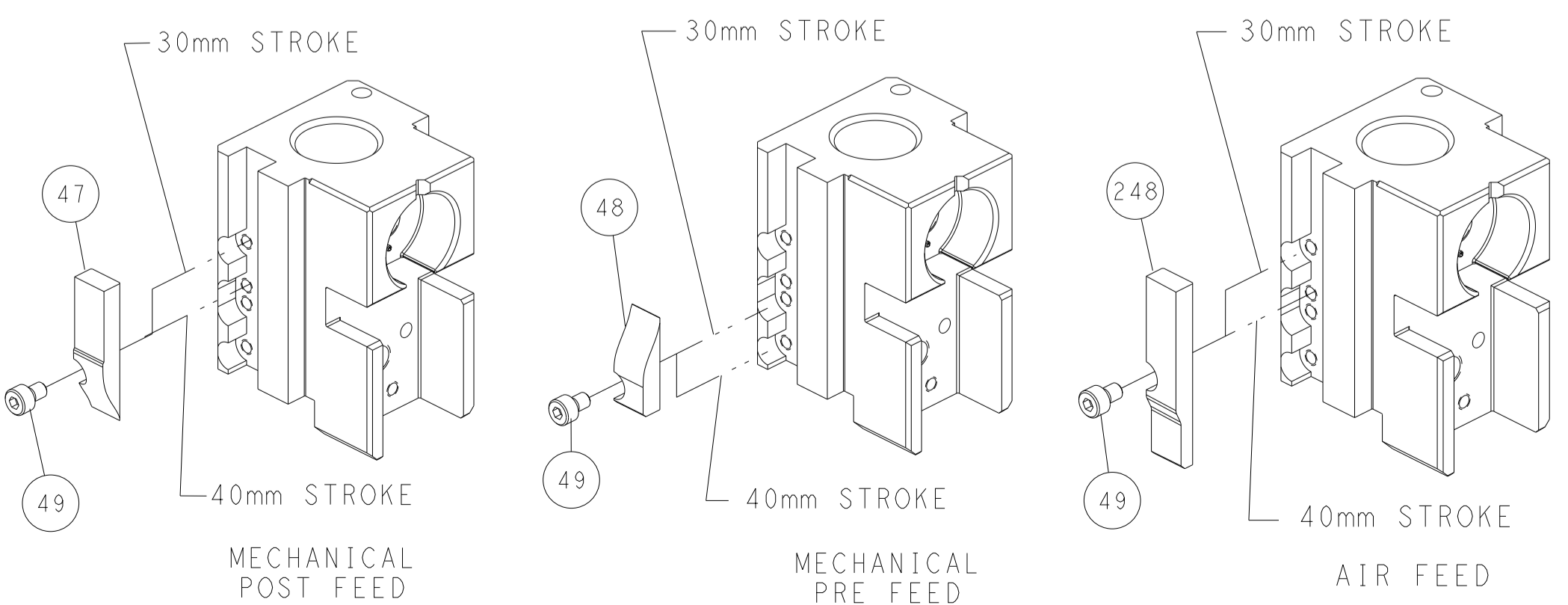
TERMINAL SUPPORT LOCATION



RAM SET-UP



CAM POSITIONS



FEED TRACK POSITION GUIDE BY INSULATION BARREL

ATLANTIC VERSION
 Shown on sheets 1 of 4 & 2 of 4
 (Pacific version shown on sheets 3 of 4 & 4 of 4)

| | | | | | | | | | |
|-----------------------|--|---|--|--|--|---|--|--------------------|--|
| DIMENSIONS: mm | | TOLERANCES UNLESS OTHERWISE SPECIFIED: 0 PLC ± 1 PLC ± 2 PLC ± 3 PLC ± 4 PLC ± ANGLES ± FINISH | | DWN Y. YIN 04JUN2014 CHK G. BAILEY 04JUN2014 APVD J. GUO 04JUN2014 PRODUCT SPEC APPLICATION SPEC WEIGHT Customer Accessible Production Drawing | | NAME Ocean Side Feed Applicator SIZE CAGE CODE DRAWING NO A1 00779 C=2266314 SCALE 1:2 SHEET 2 OF 4 REV D | | RESTRICTED TO - | |
|-----------------------|--|---|--|--|--|---|--|--------------------|--|

| PART NUMBER | REVISION | DESCRIPTION | FEED TYPE |
|-------------|----------|--------------------------|------------|
| 2-2266314-1 | D | FINE CRIMP HEIGHT ADJUST | MECHANICAL |
| 2-2266314-2 | D | FINE CRIMP HEIGHT ADJUST | PNEUMATIC |
| 7-2266314-7 | A | CRIMP TOOLING KIT | - |

PACIFIC VERSION TERMINATOR
 INTERFACE ADAPTER



| APPLICATOR DATA | | |
|--------------------------------------|----------------|------|
| CRIMP | SIZE | TYPE |
| WIRE | 2.79 mm [.110] | F |
| INSUL | 4.57 mm [.180] | O |
| APPLICATOR INSTRUCTIONS 408-35042 | | |

| TERMINAL DATA: TE TERMINAL | | TE CRIMP SPECIFICATION | |
|--|-------------|---|-------------|
| TERMINAL NAME: TAB FASTON .187 SERIES | | | |
| WIRE STRIP LENGTH 5.29-5.89 mm [.208-.232 IN] | | INSULATION DIAMETER RANGE Ø3.05-3.81 mm [.120-.150 IN] | |
| TERMINAL APPLICATION SPECIFICATION | 114-2036 | - | - |
| TERMINALS APPLIED | | | |
| TE TERMINAL | TE TERMINAL | TE TERMINAL | TE TERMINAL |
| 341340-1 | 60850-1 | 61687-2 | |
| 341340-2 | 60850-2 | | |

| WIRE SIZE | CRIMP HEIGHT mm [INCH] | CRIMP HEIGHT REFERENCE SETTING |
|-----------|----------------------------|--------------------------------|
| 14 AWG | 2.16+/-0.05 [.085+/-0.002] | 4.9 |
| 16 AWG | 1.93+/-0.05 [.076+/-0.002] | 7.3 |
| 18 AWG | 1.78+/-0.05 [.070+/-0.002] | 8.9 |

- RECOMMENDED SPARE PARTS
- REFER TO SUPPLIED INSTRUCTION SHEET FOR CLEANING, LUBRICATION AND STORAGE OF APPLICATOR.
- APPLY PART NUMBER 2-23419-6 LOCTITE TO THREADS OF ITEM 242.
- CRIMP HEIGHT REFERENCE SETTING WAS THE SETTING USED WHEN THE APPLICATOR WAS QUALIFIED AT THE FACTORY. ADJUSTMENT MAY BE NECESSARY WHEN RUNNING APPLICATOR IN THE FIELD.
- TERMINAL LUBRICANT IS RECOMMENDED.
- 6. UNLESS SPECIFIED OTHERWISE TORQUE VALUES SHALL BE USED PER DOCUMENT, 101-35000.

***WARNING**
 ON INSTALLATION, SET WIRE DISC TO CRIMP HEIGHT REFERENCE SETTING FOR LARGEST WIRE SIZE. CRIMP HEIGHT REFERENCE SETTINGS GREATER THAN THE VALUE SHOWN MAY CAUSE DAMAGE TO THE CRIMP TOOLING. REFER TO THE INSTRUCTION SHEET FOR PROPER SETUP AND ADJUSTMENTS.

| LOC | DIST | REVISIONS | | | | | |
|-----|------|-----------|-----|-------------|------|-----|------|
| A | 66 | P | LYN | DESCRIPTION | DATE | DWN | APVD |
| | | - | | SEE SHEET 1 | - | - | - |

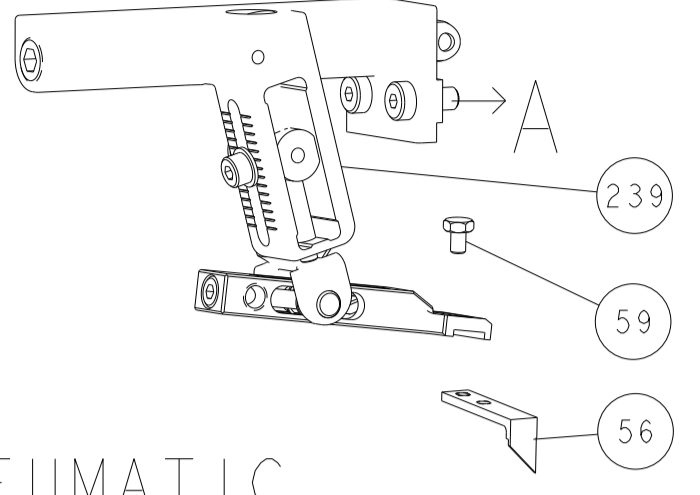
| | | | | | |
|---|-----|-----|-------------|-------------------------------------|-----|
| - | 1 | 1 | 2119082-7 | CAM, SNAIL, INSULATION ADJUSTMENT | 244 |
| - | 1 | 1 | 2079764-1 | WASHER, WAVE SPRING, CREST-TO-CREST | 243 |
| - | 1 | 1 | 2119083-1 | RETAINER, INSULATION DIAL | 242 |
| - | 1 | 1 | 7-18023-7 | SCR, SKT HD CAP M3 X 4.0 | 241 |
| - | - | 1 | 2119580-1 | MECHANICAL FEED ASSEMBLY | 239 |
| - | 1 | - | 2844940-1 | AIR FEED MODULE | 238 |
| - | REF | REF | 994970-2 | COUNTER, MAGNETIC | 164 |
| - | 1 | - | 2119641-2 | FEED CAM, AIR FEED | 151 |
| - | 1 | 1 | 2168083-8 | SCR, SKT HD CAP, RoHS, M4 X 16 | 144 |
| - | 4 | 4 | 2168083-9 | SCR, SKT HD CAP, RoHS, M4 X 20 | 143 |
| - | - | 1 | 2119653-2 | FEED CAM, POST FEED | 142 |
| - | 1 | 1 | 1-1803583-0 | APPLICATOR BASIC ASSEMBLY, SF | 141 |
| - | 1 | 1 | 1803516-1 | RAM ASSEMBLY, SF PACIFIC | 140 |
| - | 1 | 1 | 2119955-1 | ASSY, LUBRICATOR, SIDE FEED | 113 |
| - | 1 | 1 | 2844908-1 | SCREW, LOCKING | 99 |
| - | 1 | 1 | 2844907-1 | POST, LOCKING | 98 |
| - | 1 | 1 | 455888-5 | SPACER, CRIMPER | 82 |
| - | 1 | 1 | 1803607-3 | DOCUMENTATION PACKAGE | 71 |
| - | 1 | 1 | 2119791-5 | DEPRESSOR, WIRE | 70 |
| - | 1 | 1 | 2119943-1 | WASHER, SPACER | 69 |
| - | 1 | 1 | 2119740-1 | TAG IDENTIFICATION | 67 |
| - | 2 | 2 | 2168078-1 | SCREW, DRIVE, RH, RoHS, 2 x .188 | 66 |
| - | 1 | 1 | 5-18022-5 | SCR, HEX HD CAP, M4 X 6.0 | 59 |
| - | 1 | 1 | 1338685-1 | PAWL, FEED | 56 |
| - | 2 | 2 | 1-2168083-0 | SCR, SKT HD CAP, RoHS, M4 X 10 | 53 |
| - | 1 | 1 | 5018030-1 | NUT, HEX, REG, RoHS, M3 | 52 |
| - | 1 | 1 | 811242-5 | BUMPER, HOLD DOWN | 51 |
| - | 1 | 1 | 690753-2 | SPACER, TONKER | 50 |
| - | 1 | 2 | 18023-9 | SCR, SKT HD CAP M4 X 6.0 | 49 |
| - | - | 1 | 2119652-1 | FEED CAM, PRE FEED | 48 |
| - | 1 | 1 | 1803602-1 | SCR, BHSC, RoHS (M8 X 25) | 41 |
| - | 1 | 1 | 1752356-9 | SUPPORT, TERMINAL | 34 |
| - | 2 | 2 | 2079383-5 | SCR, BHSC, RoHS (M4 X 20) | 33 |
| - | 2 | 2 | 3-2844962-2 | SPACER, CYLINDRICAL, STRIP GUIDE | 30 |
| - | 1 | 1 | 2844992-1 | ASSEMBLY, STRIP GUIDE | 29 |
| - | 1 | 1 | 455888-3 | SPACER, CRIMPER | 28 |
| - | 1 | 1 | 1320928-2 | STRIP GUIDE | 24 |
| - | 1 | 1 | 2168083-2 | SCR, SKT HD CAP, RoHS, M4 X 8.0 | 21 |
| - | 2 | 2 | 1-18028-2 | WASHER, FLAT, REG M4 | 20 |
| - | 1 | 1 | 2119533-1 | STRIPPER, SIDE FEED | 19 |
| - | 1 | 1 | 2119806-1 | INSERT, SHEAR | 13 |
| - | 1 | 1 | 3-22280-3 | SPRING, COMPRESSION | 12 |
| - | 1 | 1 | 1-356885-4 | STOP, SHEAR | 11 |
| - | 1 | 1 | 2119805-1 | SHEAR HOLDER, FRONT | 10 |
| - | 1 | 1 | 1803095-6 | FLOATING SHEAR, FRONT | 9 |
| - | 1 | 1 | 1-1633923-3 | ANVIL, COMBINATION | 8 |
| - | - | - | - | - | 7 |
| - | - | - | - | - | 6 |
| - | 1 | 1 | 1-2119757-0 | DEPRESSOR, SHEAR | 5 |
| - | 1 | 1 | 2-238011-1 | BLOCK, CRIMPER SPACER | 4 |
| - | 1 | 1 | 6-2119784-0 | CRIMPER, INSULATION O PREMIUM | 3 |
| - | 1 | 1 | 455888-4 | SPACER, CRIMPER | 2 |
| - | 1 | 1 | 7-456408-0 | CRIMPER, WIRE PREMIUM | 1 |

PACIFIC VERSION
 Shown on sheets 3 of 4 & 4 of 4
 (Atlantic version shown on sheets 1 of 4 & 2 of 4)

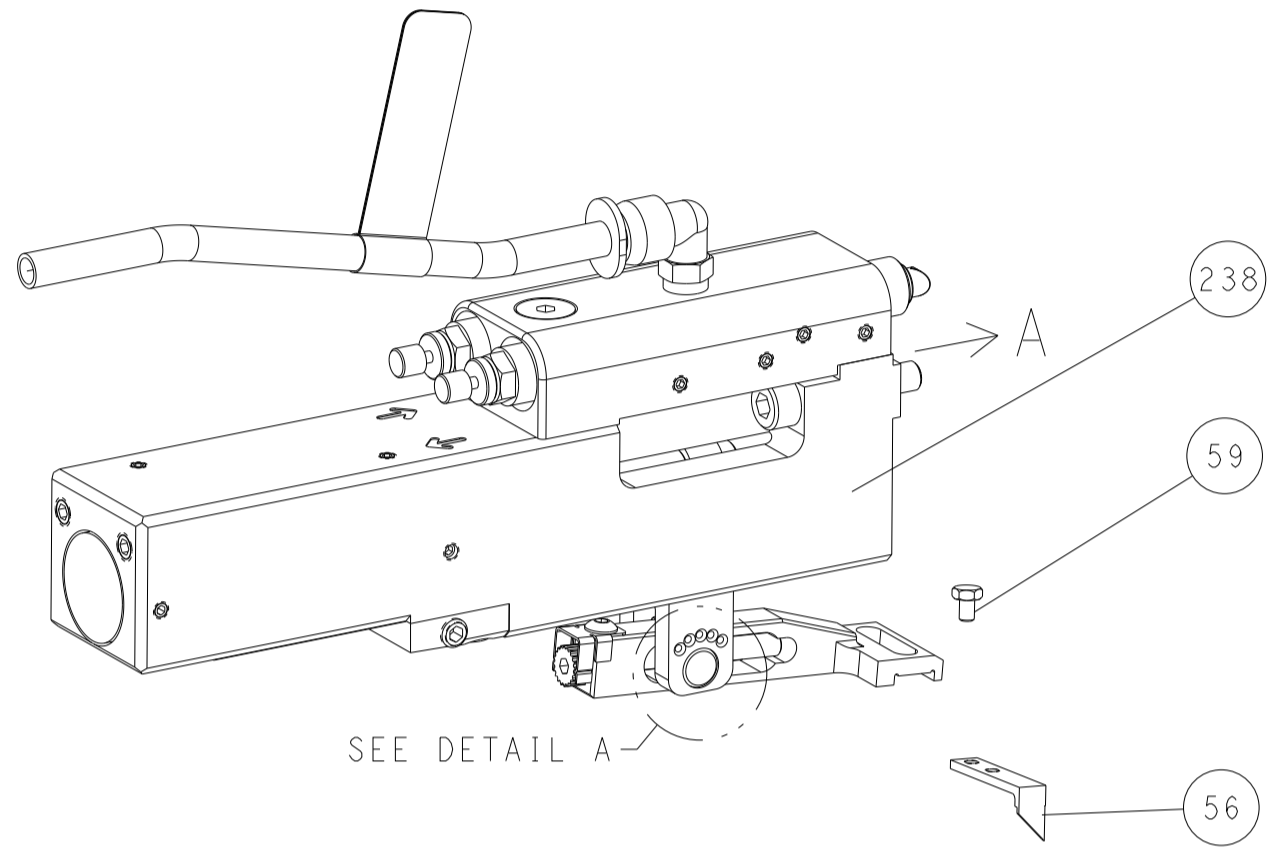
| | | | | | | | | | |
|--|---------|--|------------|-----------------------|-----------------------|--------------------------|--------------|---|----------|
| DIMENSIONS: | | TOLERANCES UNLESS OTHERWISE SPECIFIED: | | DWG: Y. YIN 04JUN2014 | | CHK: G. BAILEY 04JUN2014 | | NAME: TE Connectivity Harrisburg, PA 17105-3608 | |
| mm | 0 PLC ± | 1 PLC ± | 2 PLC ± | 3 PLC ± | 4 PLC ± | APVD: U. GUO 04JUN2014 | PRODUCT SPEC | APPLICATION SPEC | SIZE: A1 |
| MATERIAL: | FINISH: | WEIGHT: | SCALE: 1:2 | CAGE CODE: 00779 | DRAWING NO: C=2266314 | RESTRICTED TO: | | SHEET 3 OF 4 | |
| Customer Accessible Production Drawing | | | | SCALE: 1:2 | | SHEET 3 OF 4 | | REV D | |

| LOC | DIST | REVISIONS | | | | | |
|-----|------|-----------|-----|-------------|------|-----|------|
| | | P | LTN | DESCRIPTION | DATE | OWN | APVD |
| A | 66 | - | - | SEE SHEET 1 | - | - | - |

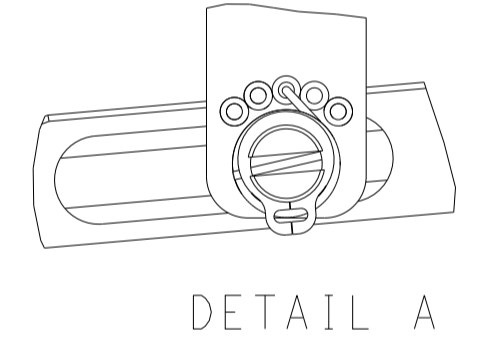
FEED TYPE MECHANICAL



PNEUMATIC

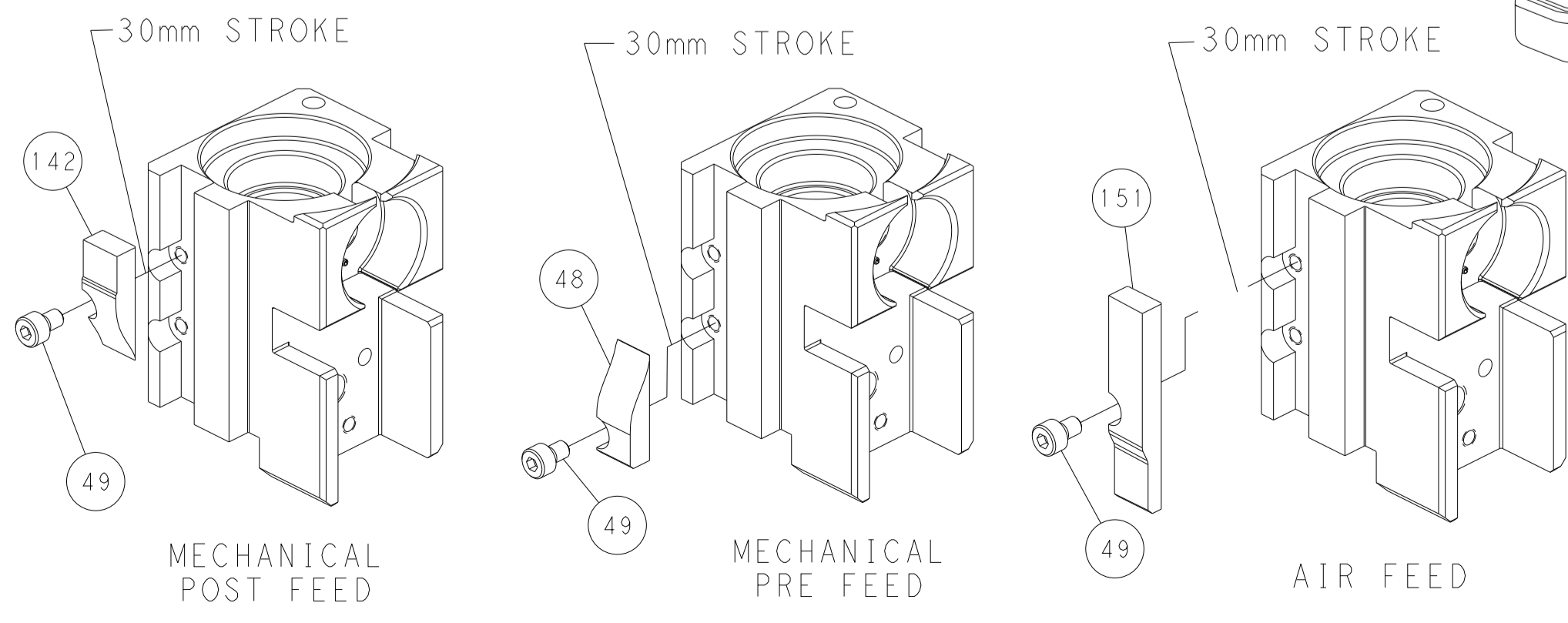


FEED SPRING SETTING POSITION (SHOWN FROM REAR SIDE)



DETAIL A

CAM POSITIONS

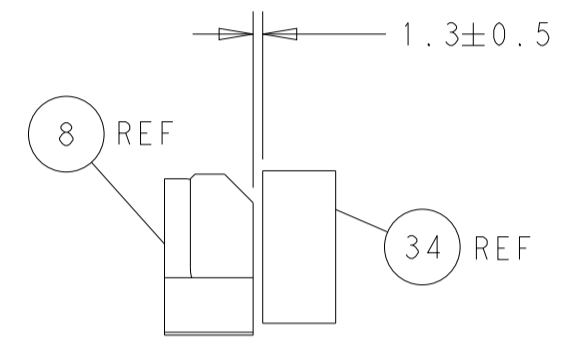
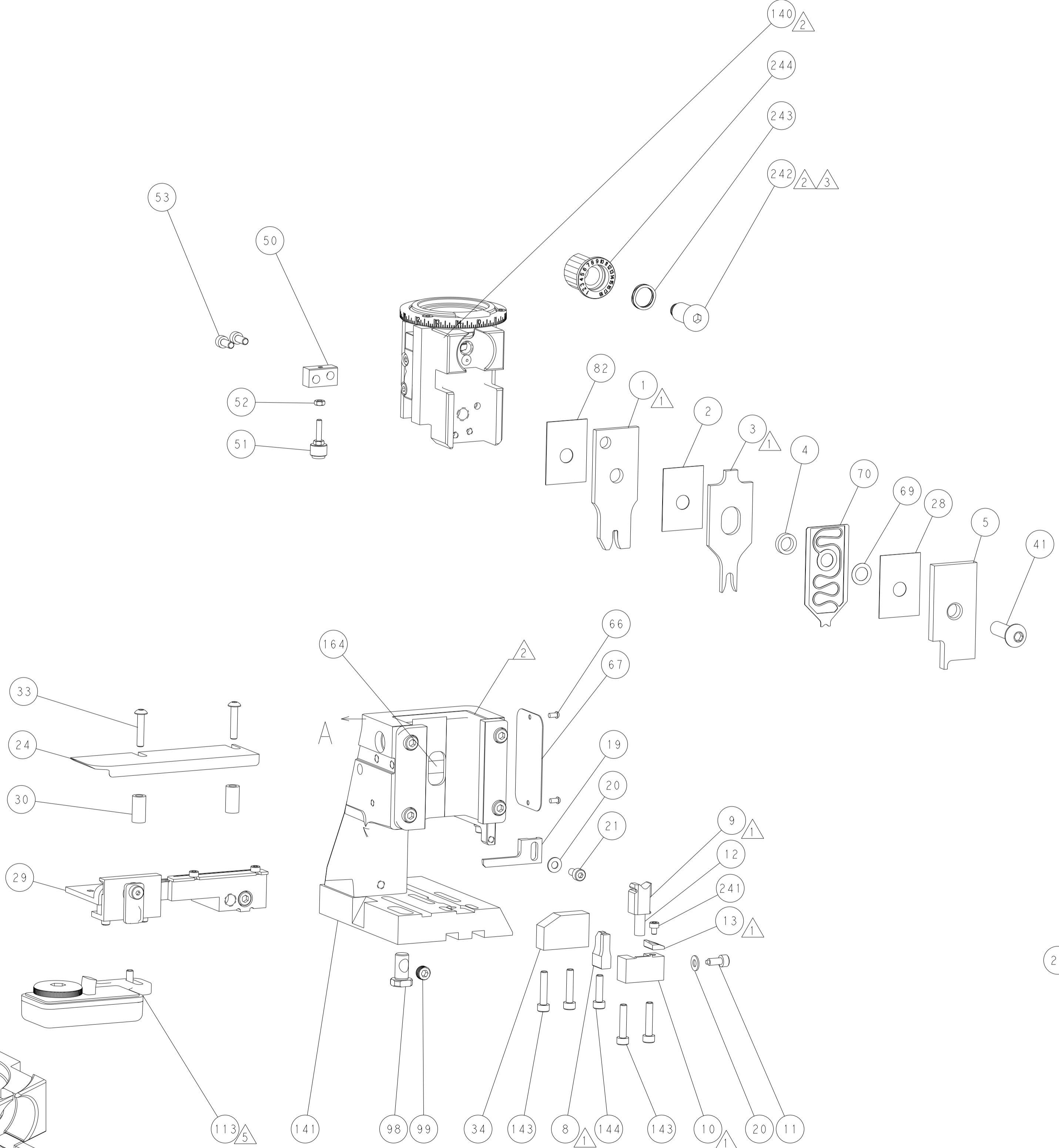


MECHANICAL POST FEED

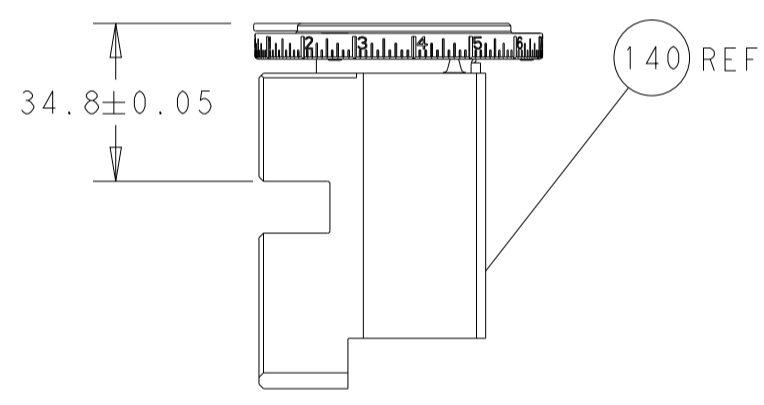
MECHANICAL PRE FEED

AIR FEED

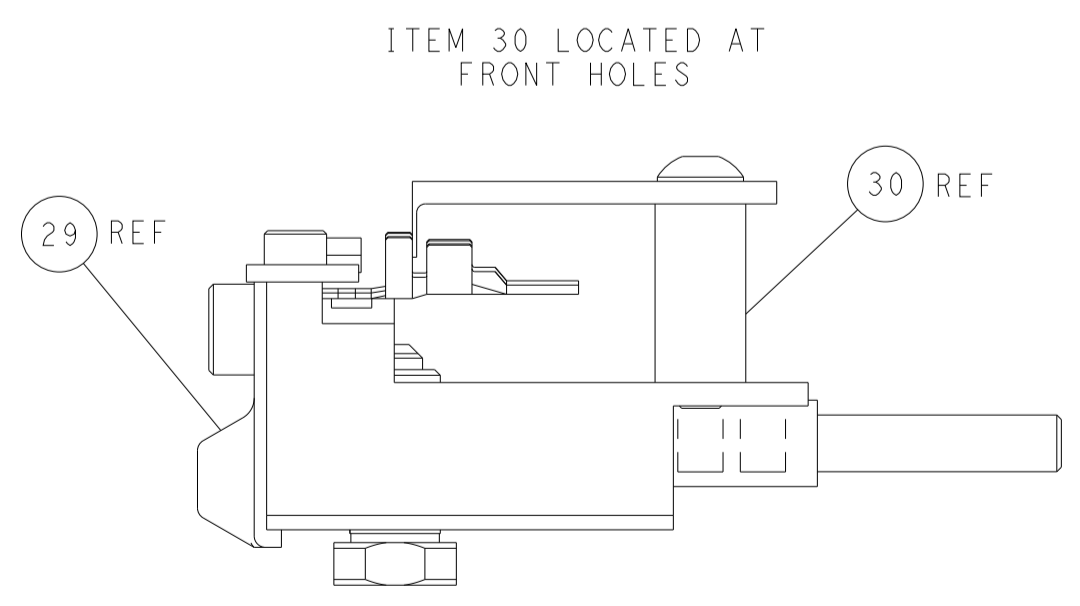
PACIFIC VERSION
 Shown on sheets 3 of 4 & 4 of 4
 (Atlantic version shown on sheets 1 of 4 & 2 of 4)



TERMINAL SUPPORT LOCATION



RAM SET-UP



FEED TRACK POSITION GUIDE BY INSULATION BARREL

| | | | |
|--|---|--|--|
| <small>THIS DRAWING IS UNPUBLISHED. RELEASED FOR PUBLICATION. ALL RIGHTS RESERVED. © 2014 BY TYCO ELECTRONICS CORPORATION. THIS DRAWING IS THE PROPERTY OF TYCO ELECTRONICS CORPORATION AND IS NOT TO BE REPRODUCED OR TRANSMITTED IN ANY FORM OR BY ANY MEANS, ELECTRONIC OR MECHANICAL, INCLUDING PHOTOCOPYING, RECORDING, OR BY ANY INFORMATION STORAGE AND RETRIEVAL SYSTEM, WITHOUT THE WRITTEN PERMISSION OF TYCO ELECTRONICS CORPORATION.</small> | | DWN Y. YIN 04JUN2014 CHK G. BAILEY 04JUN2014 APVD U. GUO 04JUN2014 | NAME STE TE Connectivity Harrisburg, PA 17105-3608 |
| DIMENSIONS: mm | TOLERANCES UNLESS OTHERWISE SPECIFIED: 0 PLC ± 1 PLC ± 2 PLC ± 3 PLC ± 4 PLC ± ANGLES ± FINISH | PRODUCT SPEC APPLICATION SPEC WEIGHT SCALE 1:2 | SIZE CAGE CODE DRAWING NO RESTRICTED TO A1 00779 C=2266314 Customer Accessible Production Drawing SHEET 4 OF 4 REV D |