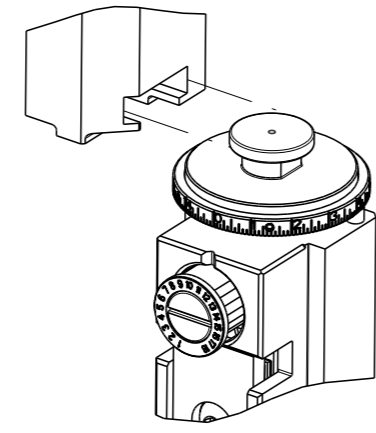


| PART NUMBER | REVISION | DESCRIPTION                      | FEED TYPE  |
|-------------|----------|----------------------------------|------------|
| 2266290-1   | B        | FINE CRIMP HEIGHT ADJUST         | MECHANICAL |
| 2266290-2   | B        | FINE CRIMP HEIGHT ADJUST         | PNEUMATIC  |
| 7-2266290-1 | B        | MECHANICAL AND CRIMP TOOLING KIT | MECHANICAL |
| 7-2266290-2 | B        | PNEUMATIC AND CRIMP TOOLING KIT  | PNEUMATIC  |
| 7-2266290-7 | A        | CRIMP TOOLING KIT                | -          |

ATLANTIC VERSION TERMINATOR INTERFACE ADAPTER



| APPLICATOR DATA |                |      |
|-----------------|----------------|------|
| CRIMP           | SIZE           | TYPE |
| WIRE            | 1.40 mm [.055] | F    |
| INSUL           | 1.55 mm [.061] | O    |

APPLICATOR INSTRUCTIONS  
408-35042

| TERMINAL DATA: KET TERMINAL        |                  | KET CRIMP SPECIFICATION      |              |
|------------------------------------|------------------|------------------------------|--------------|
| TERMINAL NAME: 025 FEMALE TERMINAL |                  |                              |              |
| WIRE STRIP LENGTH                  |                  | INSULATION DIAMETER RANGE    |              |
| 3.50-4.50 mm [.138-.177 IN]        |                  | Ø1.40-1.70 mm [.055-.067 IN] |              |
| TERMINAL APPLICATION SPECIFICATION | 2009.01.12 Rev - |                              |              |
| TERMINALS APPLIED                  |                  |                              |              |
| TE TERMINAL                        | KET TERMINAL     | TE TERMINAL                  | KET TERMINAL |
| 2286185-1                          | ST731053-3       | 2113461-1                    | ST731053-G   |

| WIRE SIZE                     | CRIMP HEIGHT mm [INCH]     | CRIMP HEIGHT REFERENCE SETTING |
|-------------------------------|----------------------------|--------------------------------|
| 20 AWG OR 0.50mm <sup>2</sup> | 1.00+/-0.03 [.039+/-0.001] | 8.2                            |
| 22 AWG OR 0.30mm <sup>2</sup> | 0.95+/-0.03 [.037+/-0.001] | 8.4                            |

- RECOMMENDED SPARE PARTS
  - REFER TO SUPPLIED INSTRUCTION SHEET FOR CLEANING, LUBRICATION AND STORAGE OF APPLICATOR.
  - APPLY PART NUMBER 2-23419-6 LOCTITE TO THREADS OF ITEM 242.
  - CRIMP HEIGHT REFERENCE SETTING WAS THE SETTING USED WHEN THE APPLICATOR WAS QUALIFIED AT THE FACTORY. ADJUSTMENT MAY BE NECESSARY WHEN RUNNING APPLICATOR IN THE FIELD.
5. UNLESS SPECIFIED OTHERWISE TORQUE VALUES SHALL BE USED PER DOCUMENT, 101-35000.

**\*WARNING**  
ON INSTALLATION, SET WIRE DISC TO CRIMP HEIGHT REFERENCE SETTING FOR LARGEST WIRE SIZE. CRIMP HEIGHT REFERENCE SETTINGS GREATER THAN THE VALUE SHOWN MAY CAUSE DAMAGE TO THE CRIMP TOOLING, REFER TO THE INSTRUCTION SHEET FOR PROPER SETUP AND ADJUSTMENTS.

ATLANTIC VERSION  
Shown on sheets 1 of 4 & 2 of 4  
(Pacific version shown on sheets 3 of 4 & 4 of 4)

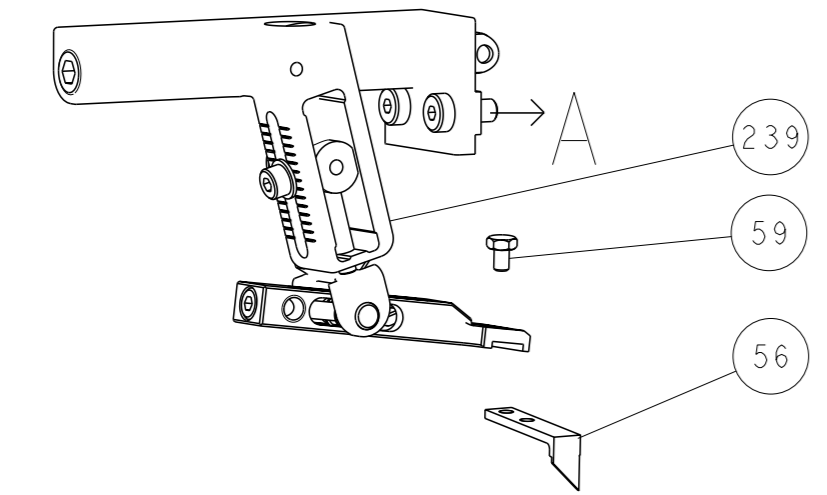
| LOC | DIST | REVISIONS |     |               |           |     |      |
|-----|------|-----------|-----|---------------|-----------|-----|------|
|     |      | P         | LY# | DESCRIPTION   | DATE      | OWN | APVD |
| A   | 66   |           |     | RELEASED      | 25JUL2014 | BH  | BH   |
|     |      |           |     | ECR-18-010714 | 06JUL2018 | VLA | CT   |

|   |     |     |     |     |             |                                     |                               |         |
|---|-----|-----|-----|-----|-------------|-------------------------------------|-------------------------------|---------|
| - | 1   | -   | 1   | -   | 2119640-1   | PUSH ROD, AIR FEED                  | 250                           |         |
| - | 1   | -   | 1   | -   | 1803259-1   | BUSHING, FLANGED                    | 249                           |         |
| - | 1   | -   | 1   | -   | 2119641-1   | FEED CAM, AIR FEED                  | 248                           |         |
| - | 1   | 1   | 1   | 1   | 2119082-4   | CAM, SNAIL, INSULATION ADJUSTMENT   | 244                           |         |
| - | 1   | 1   | 1   | 1   | 2079764-1   | WASHER, WAVE SPRING, CREST-TO-CREST | 243                           |         |
| - | 1   | 1   | 1   | 1   | 2119083-1   | RETAINER, INSULATION DIAL           | 242                           |         |
| - | 1   | 1   | 1   | 1   | 7-18023-7   | SCR, SKT HD CAP M3 X 4.0            | 241                           |         |
| - | -   | 1   | -   | 1   | 2119580-1   | MECHANICAL FEED ASSEMBLY            | 239                           |         |
| - | 1   | -   | 1   | -   | 2063440-1   | AIR FEED MODULE                     | 238                           |         |
| - | 2   | -   | 2   | -   | 21045-3     | RING, RETAIN, EXTERN, 3/16 CRESCENT | 172                           |         |
| - | REF | REF | REF | REF | 994970-2    | COUNTER, MAGNETIC                   | 164                           |         |
| - | 1   | -   | 1   | -   | 240638-1    | SPRING, FEED FINGER                 | 163                           |         |
| - | 1   | -   | 1   | -   | 3-23627-7   | PIN, RETAIN, GRVD, 3/16 X .854      | 137                           |         |
| - | 1   | -   | 1   | -   | 2119799-1   | HOLDER, FEED FINGER, AF             | 136                           |         |
| - | 1   | 1   | 1   | 1   | 2844908-1   | SCREW, LOCKING                      | 99                            |         |
| - | 1   | 1   | 1   | 1   | 2844907-1   | POST, LOCKING                       | 98                            |         |
| - | 1   | 1   | 1   | 1   | 455888-5    | SPACER, CRIMPER                     | 82                            |         |
| - | 1   | 1   | 1   | 1   | 1803607-1   | DOCUMENTATION PACKAGE               | 71                            |         |
| - | 1   | 1   | 1   | 1   | 2119740-1   | TAG, IDENTIFICATION                 | 67                            |         |
| - | 2   | 2   | 2   | 2   | 2168078-1   | SCREW, DRIVE, RH, RoHS, 2 x .188    | 66                            |         |
| - | 1   | 1   | 1   | 1   | 2168083-2   | SCR, SKT HD CAP, RoHS, M4 X 8.0     | 60                            |         |
| - | 1   | 1   | 1   | 1   | 5-18022-5   | SCR, HEX HD CAP, M4 X 6.0           | 59                            |         |
| - | 1   | 1   | 1   | 1   | 1338685-1   | PAWL, FEED                          | 56                            |         |
| - | 4   | 4   | 4   | 4   | 2168083-3   | SCR, SKT HD CAP, RoHS, M4 X 12.0    | 54                            |         |
| - | 2   | 2   | 2   | 2   | 2168083-8   | SCR, SKT HD CAP, RoHS, M4 X 16      | 53                            |         |
| - | 1   | 1   | 1   | 1   | 5018030-1   | NUT, HEX, REG, RoHS, M3             | 52                            |         |
| - | 1   | 1   | 1   | 1   | 811242-5    | BUMPER, HOLD DOWN                   | 51                            |         |
| - | 1   | 1   | 1   | 1   | 690753-2    | SPACER, TONKER                      | 50                            |         |
| - | 1   | 2   | 1   | 2   | 18023-9     | SCR, SKT HD CAP M4 X 6.0            | 49                            |         |
| - | -   | 1   | -   | 1   | 2119652-1   | FEED CAM, PRE FEED                  | 48                            |         |
| - | -   | 1   | -   | 1   | 2119653-1   | FEED CAM, POST FEED                 | 47                            |         |
| - | 1   | 1   | 1   | 1   | 1803583-9   | APPLICATOR BASIC ASSEMBLY, SF       | 46                            |         |
| - | 1   | 1   | 1   | 1   | 1803515-1   | RAM ASSEMBLY, SF ATLANTIC           | 44                            |         |
| - | 1   | 1   | 1   | 1   | 1803602-1   | SCR, BHSC, RoHS (M8 X 25)           | 41                            |         |
| - | 1   | 1   | 1   | 1   | 1752356-1   | SUPPORT, TERMINAL                   | 34                            |         |
| - | 2   | 2   | 2   | 2   | 2079383-5   | SCR, BHSC, RoHS (M4 X 20)           | 33                            |         |
| - | 2   | 2   | 2   | 2   | 2-2844962-4 | SPACER, CYLINDRICAL, STRIP GUIDE    | 30                            |         |
| - | 1   | 1   | 1   | 1   | 2844992-1   | ASSEMBLY, STRIP GUIDE               | 29                            |         |
| - | 1   | 1   | 1   | 1   | 455888-3    | SPACER, CRIMPER                     | 28                            |         |
| - | 1   | 1   | 1   | 1   | 1320928-2   | STRIP GUIDE                         | 24                            |         |
| - | 1   | 1   | 1   | 1   | 2168083-2   | SCR, SKT HD CAP, RoHS, M4 X 8.0     | 21                            |         |
| - | 2   | 2   | 2   | 2   | 1-18028-2   | WASHER, FLAT, REG M4                | 20                            |         |
| - | 1   | 1   | 1   | 1   | 2119533-1   | STRIPPER, SIDE FEED                 | 19                            |         |
| - | 1   | 1   | 1   | 1   | 2119806-1   | INSERT, SHEAR                       | 13                            |         |
| - | 1   | 1   | 1   | 1   | 3-22280-3   | SPRING, COMPRESSION                 | 12                            |         |
| - | 1   | 1   | 1   | 1   | 1-356885-4  | STOP, SHEAR                         | 11                            |         |
| - | 1   | 1   | 1   | 1   | 2119805-1   | SHEAR HOLDER, FRONT                 | 10                            |         |
| - | 1   | 1   | 1   | 1   | 1803095-1   | FLOATING SHEAR, FRONT               | 9                             |         |
| - | 1   | 2   | 2   | 1   | 1           | 6-1633932-0                         | ANVIL, COMBINATION            | 8       |
| - | 1   | 1   | 1   | 1   | 240641-5    | SPACER                              | 7                             |         |
| - | -   | -   | -   | -   | -           | -                                   | 6                             |         |
| - | 1   | 1   | 1   | 1   | 2119757-6   | DEPRESSOR, SHEAR                    | 5                             |         |
| - | 1   | 1   | 1   | 1   | 2-238011-1  | BLOCK, CRIMPER SPACER               | 4                             |         |
| - | 1   | 2   | 2   | 1   | 1           | 7-1633965-5                         | CRIMPER, INSULATION O PREMIUM | 3       |
| - | -   | -   | -   | -   | -           | -                                   | 2                             |         |
| - | 1   | 2   | 2   | 1   | 1           | 6-1633664-3                         | CRIMPER, WIRE                 | 1       |
| - | 77  | -72 | -71 | -2  | -1          | PART NO                             | DESCRIPTION                   | ITEM NO |

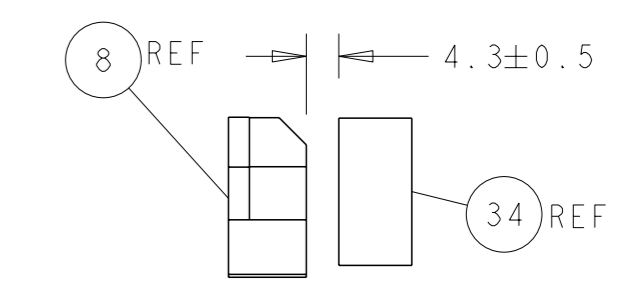
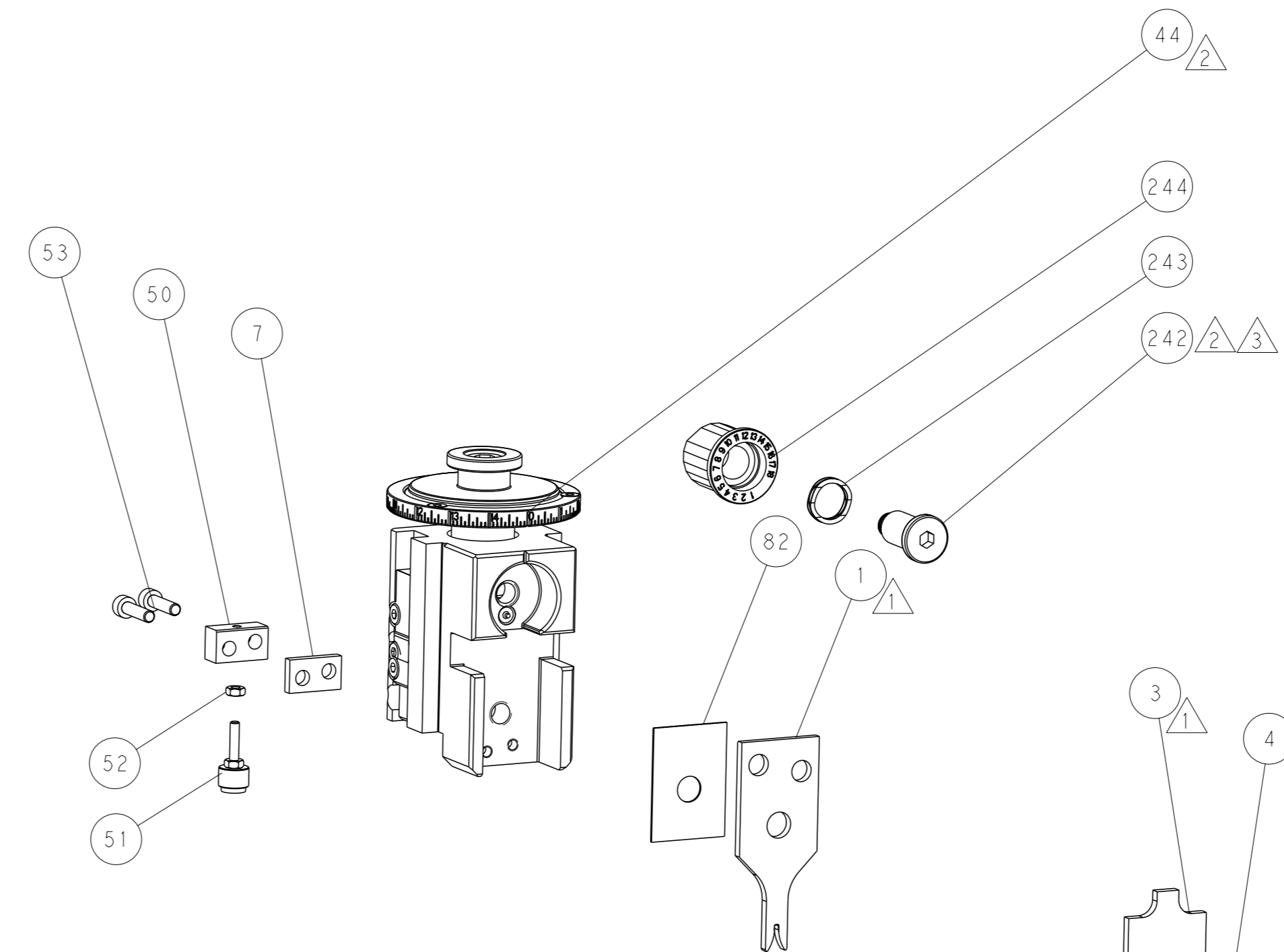
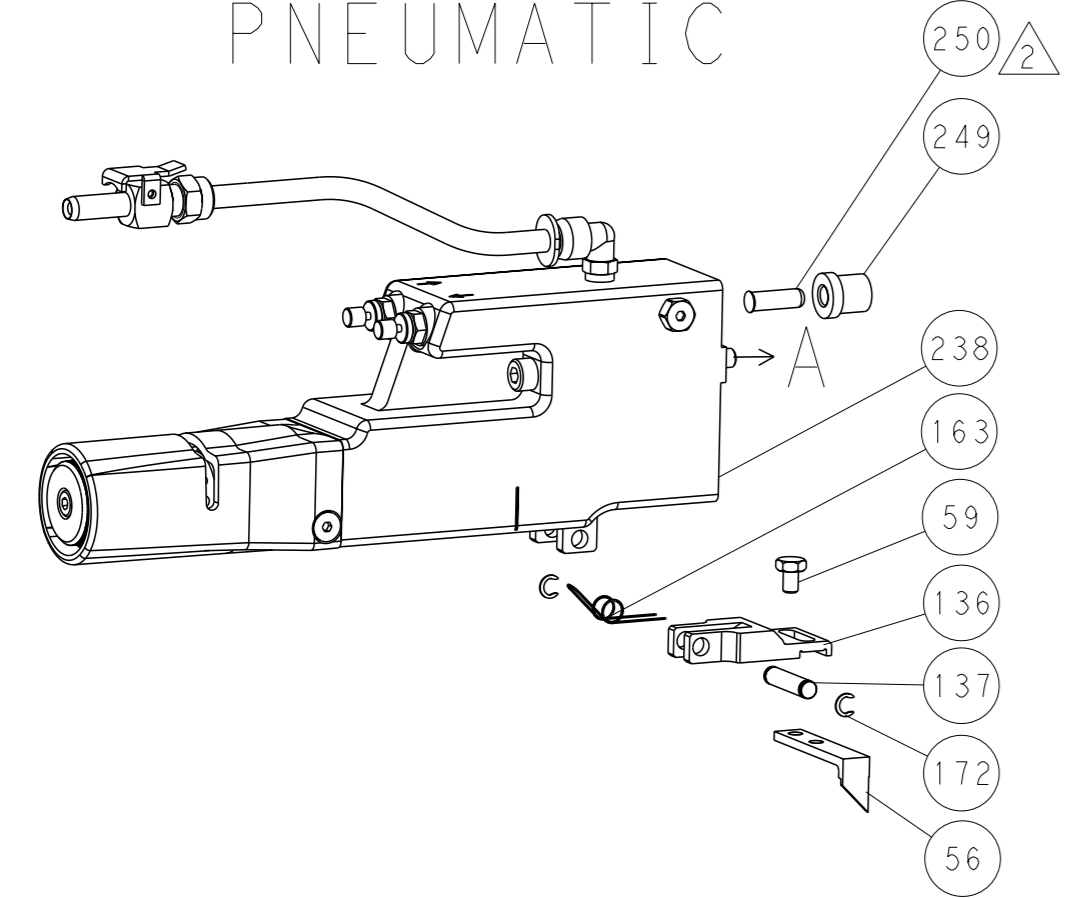
| DIMENSIONS:                            |         | TOLERANCES UNLESS OTHERWISE SPECIFIED: |         | APPROVED:    |         | NAME:  |        |
|--|---------|--|---------|--------------|---------|--------|--------|
| mm                                     | 0 PLC ± | 1 PLC ±                                | 2 PLC ± | 3 PLC ±      | 4 PLC ± | ANGLES | FINISH |
| MATERIAL                               |         | FINISH                                 |         | WEIGHT       |         | SCALE  |        |
| Customer Accessible Production Drawing |         | SCALE 1:2                              |         | SHEET 1 OF 4 |         | REV B  |        |

| LOC | DIST        | REVISIONS |      |     |      |
|-----|-------------|-----------|------|-----|------|
| A   | 66          | REV       | DATE | OWN | APVD |
| -   | SEE SHEET 1 | -         | -    | -   | -    |

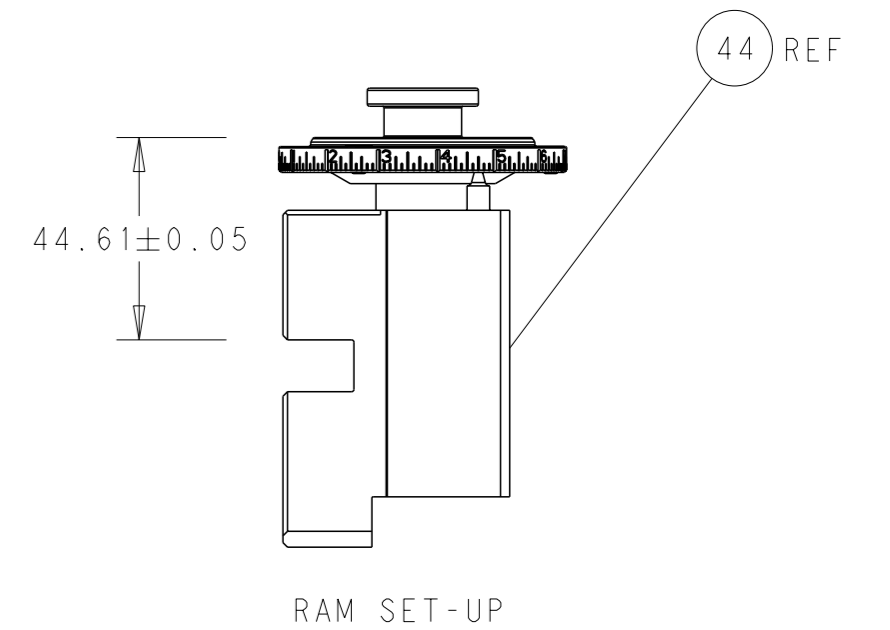
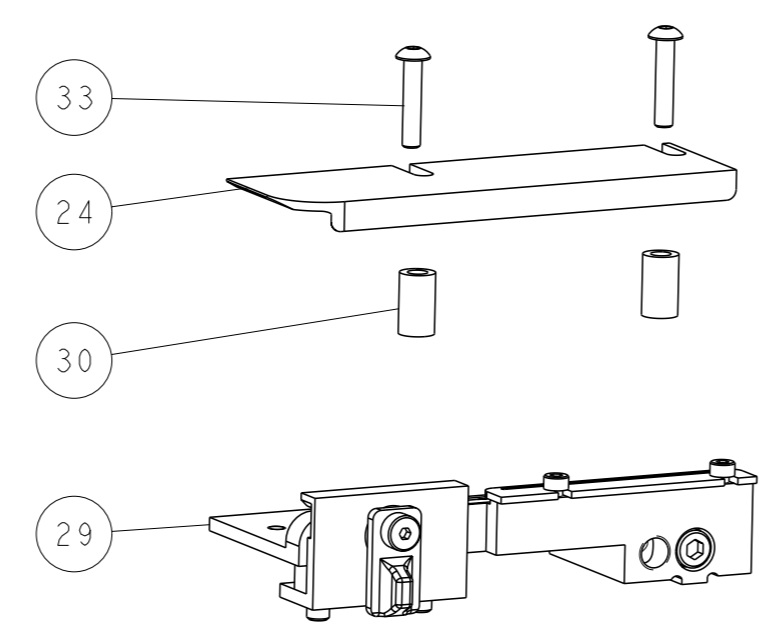
# FEED TYPE MECHANICAL



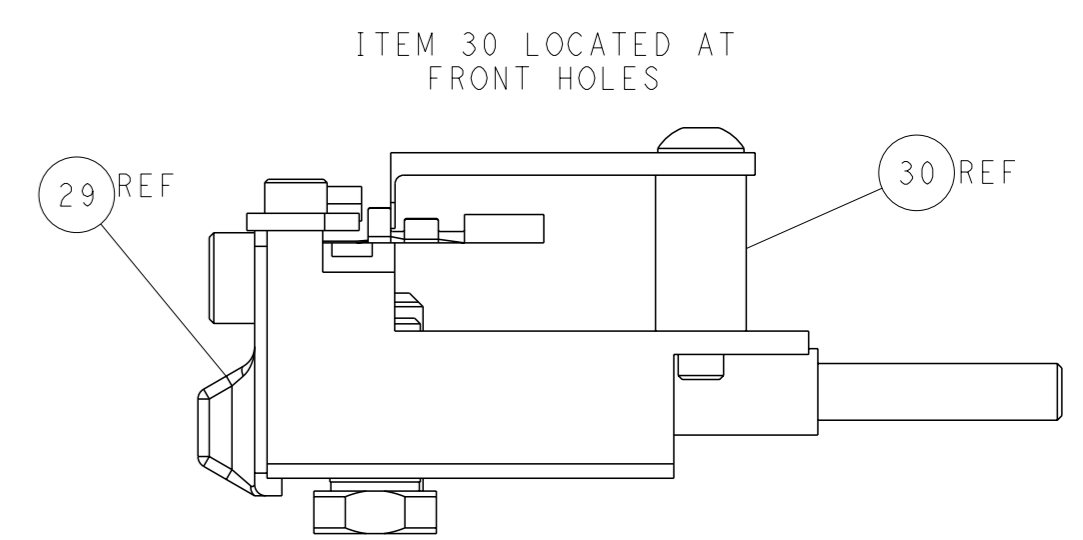
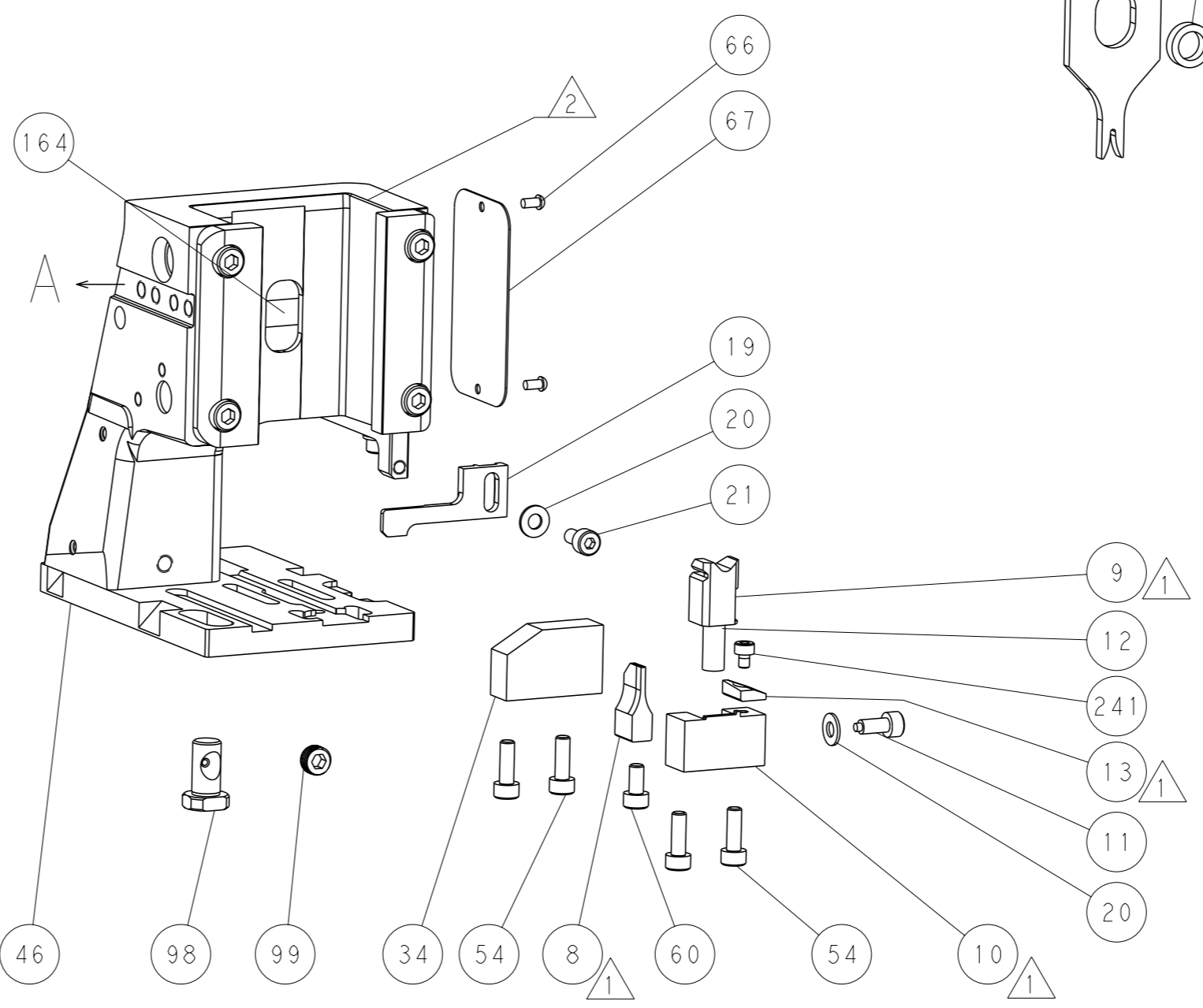
# PNEUMATIC



TERMINAL SUPPORT LOCATION

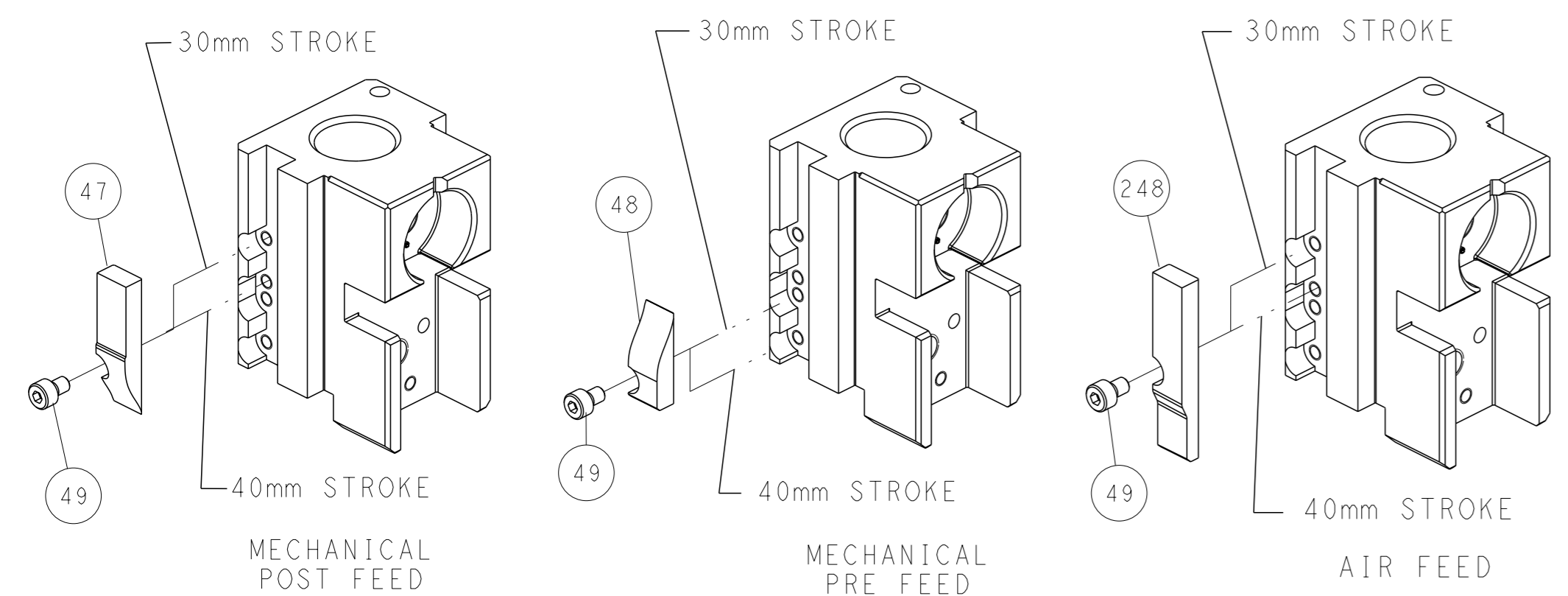


RAM SET-UP



FEED TRACK POSITION GUIDE BY INSULATION BARREL

# CAM POSITIONS

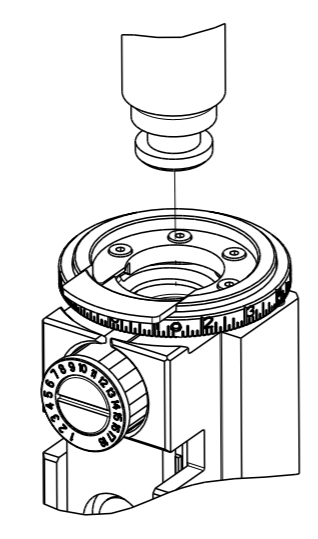


**ATLANTIC VERSION**  
 Shown on sheets 1 of 4 & 2 of 4  
 (Pacific version shown on sheets 3 of 4 & 4 of 4)

|   |  |  |  |  |  |
|---|--|--|--|--|--|
| DIMENSIONS: mm<br>TOLERANCES UNLESS OTHERWISE SPECIFIED:<br>0 PLC ±<br>1 PLC ±<br>2 PLC ±<br>3 PLC ±<br>4 PLC ±<br>ANGLES ± |  | OWN: BOB HIGMAN 02JUN2014<br>CHK: G. BAILEY 02JUN2014<br>APVD: D. STOUGH 02JUN2014<br>PRODUCT SPEC<br>APPLICATION SPEC<br>WEIGHT<br>MATERIAL |  | NAME: Ocean Side Feed Applicator<br>SIZE: A1<br>CAGE CODE: 00779<br>DRAWING NO: C=2266290<br>SCALE: 1:2<br>SHEET: 2 of 4<br>REV: B |  |
|---|--|--|--|--|--|

| PART NUMBER | REVISION | DESCRIPTION              | FEED TYPE  |
|-------------|----------|--------------------------|------------|
| 2-2266290-1 | B        | FINE CRIMP HEIGHT ADJUST | MECHANICAL |
| 2-2266290-2 | B        | FINE CRIMP HEIGHT ADJUST | PNEUMATIC  |
| 7-2266290-7 | A        | CRIMP TOOLING KIT        | -          |

PACIFIC VERSION TERMINATOR  
 INTERFACE ADAPTER

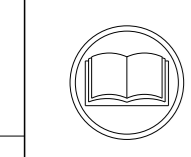


| APPLICATOR DATA |                |      |
|-----------------|----------------|------|
| CRIMP           | SIZE           | TYPE |
| WIRE            | 1.40 mm [.055] | F    |
| INSUL           | 1.55 mm [.061] | O    |

APPLICATOR INSTRUCTIONS  
 408-35042

| TERMINAL DATA: KET TERMINAL                         |              | KET CRIMP SPECIFICATION      |              |
|---|--------------|------------------------------|--------------|
| TERMINAL NAME: 025 FEMALE TERMINAL                  |              |                              |              |
| WIRE STRIP LENGTH                                   |              | INSULATION DIAMETER RANGE    |              |
| 3.50-4.50 mm [.138-.177 IN]                         |              | Ø1.40-1.70 mm [.055-.067 IN] |              |
| TERMINAL APPLICATION SPECIFICATION 2009.01.12 Rev - |              |                              |              |
| TERMINALS APPLIED                                   |              |                              |              |
| TE TERMINAL   | KET TERMINAL | TE TERMINAL                  | KET TERMINAL |
| 2286185-1   | ST731053-3   | 2113461-1                    | ST731053-G   |

| WIRE SIZE                     | CRIMP HEIGHT mm [INCH]        | CRIMP HEIGHT REFERENCE SETTING |
|-------------------------------|-------------------------------|--------------------------------|
| 20 AWG OR 0.50mm <sup>2</sup> | 1.00 +/- 0.03 [.039 +/- .001] | 8.2                            |
| 22 AWG OR 0.30mm <sup>2</sup> | 0.95 +/- 0.03 [.037 +/- .001] | 8.4                            |



- 1 RECOMMENDED SPARE PARTS
- 2 REFER TO SUPPLIED INSTRUCTION SHEET FOR CLEANING, LUBRICATION AND STORAGE OF APPLICATOR.
- 3 APPLY PART NUMBER 2-23419-6 LOCTITE TO THREADS OF ITEM 242.
- 4 CRIMP HEIGHT REFERENCE SETTING WAS THE SETTING USED WHEN THE APPLICATOR WAS QUALIFIED AT THE FACTORY. ADJUSTMENT MAY BE NECESSARY WHEN RUNNING APPLICATOR IN THE FIELD.
5. UNLESS SPECIFIED OTHERWISE TORQUE VALUES SHALL BE USED PER DOCUMENT, 101-35000.

**\*WARNING**  
 ON INSTALLATION, SET WIRE DISC TO CRIMP HEIGHT REFERENCE SETTING FOR LARGEST WIRE SIZE. CRIMP HEIGHT REFERENCE SETTINGS GREATER THAN THE VALUE SHOWN MAY CAUSE DAMAGE TO THE CRIMP TOOLING, REFER TO THE INSTRUCTION SHEET FOR PROPER SETUP AND ADJUSTMENTS.

**PACIFIC VERSION**  
 Shown on sheets 3 of 4 & 4 of 4  
 (Atlantic version shown on sheets 1 of 4 & 2 of 4)

| LOC | DIST | REVISIONS |     |             |      |     |      |
|-----|------|-----------|-----|-------------|------|-----|------|
| A   | 66   | P         | LYR | DESCRIPTION | DATE | OWN | APVD |
| -   | -    | -         | -   | SEE SHEET 1 | -    | -   | -    |

|   |     |     |             |                                     |                               |   |
|---|-----|-----|-------------|-------------------------------------|-------------------------------|---|
| - | 1   | -   | 2119640-1   | PUSH ROD, AIR FEED                  | 250                           |   |
| - | 1   | -   | 1803259-1   | BUSHING, FLANGED                    | 249                           |   |
| - | 1   | 1   | 2119082-4   | CAM, SNAIL, INSULATION ADJUSTMENT   | 244                           |   |
| - | 1   | 1   | 2079764-1   | WASHER, WAVE SPRING, CREST-TO-CREST | 243                           |   |
| - | 1   | 1   | 2119083-1   | RETAINER, INSULATION DIAL           | 242                           |   |
| - | 1   | 1   | 7-18023-7   | SCR, SKT HD CAP M3 X 4.0            | 241                           |   |
| - | -   | 1   | 2119580-1   | MECHANICAL FEED ASSEMBLY            | 239                           |   |
| - | 1   | -   | 2063440-1   | AIR FEED MODULE                     | 238                           |   |
| - | 2   | -   | 21045-3     | RING, RETAIN, EXTERN, 3/16 CRESCENT | 172                           |   |
| - | REF | REF | 994970-2    | COUNTER, MAGNETIC                   | 164                           |   |
| - | 1   | -   | 240638-1    | SPRING, FEED FINGER                 | 163                           |   |
| - | 1   | -   | 2119641-2   | FEED CAM, AIR FEED                  | 151                           |   |
| - | 1   | 1   | 2168083-8   | SCR, SKT HD CAP, RoHS, M4 X 16      | 144                           |   |
| - | 4   | 4   | 2168083-9   | SCR, SKT HD CAP, RoHS, M4 X 20      | 143                           |   |
| - | -   | 1   | 2119653-2   | FEED CAM, POST FEED                 | 142                           |   |
| - | 1   | 1   | 1-1803583-0 | APPLICATOR BASIC ASSEMBLY, SF       | 141                           |   |
| - | 1   | 1   | 1803516-1   | RAM ASSEMBLY, SF PACIFIC            | 140                           |   |
| - | 1   | -   | 3-23627-7   | PIN, RETAIN, GRVD, 3/16 X .854      | 137                           |   |
| - | 1   | -   | 2119799-1   | HOLDER, FEED FINGER, AF             | 136                           |   |
| - | 1   | 1   | 2844908-1   | SCREW, LOCKING                      | 99                            |   |
| - | 1   | 1   | 2844907-1   | POST, LOCKING                       | 98                            |   |
| - | 1   | 1   | 455888-5    | SPACER, CRIMPER                     | 82                            |   |
| - | 1   | 1   | 1803607-1   | DOCUMENTATION PACKAGE               | 71                            |   |
| - | 1   | 1   | 2119740-1   | TAG, IDENTIFICATION                 | 67                            |   |
| - | 2   | 2   | 2168078-1   | SCREW, DRIVE, RH, RoHS, 2 x .188    | 66                            |   |
| - | 1   | 1   | 5-18022-5   | SCR, HEX HD CAP, M4 X 6.0           | 59                            |   |
| - | 1   | 1   | 1338685-1   | PAWL, FEED                          | 56                            |   |
| - | 2   | 2   | 2168083-8   | SCR, SKT HD CAP, RoHS, M4 X 16      | 53                            |   |
| - | 1   | 1   | 5018030-1   | NUT, HEX, REG, RoHS, M3             | 52                            |   |
| - | 1   | 1   | 811242-5    | BUMPER, HOLD DOWN                   | 51                            |   |
| - | 1   | 1   | 690753-2    | SPACER, TONKER                      | 50                            |   |
| - | 1   | 2   | 18023-9     | SCR, SKT HD CAP M4 X 6.0            | 49                            |   |
| - | -   | 1   | 2119652-1   | FEED CAM, PRE FEED                  | 48                            |   |
| - | 1   | 1   | 1803602-1   | SCR, BHSC, RoHS (M8 X 25)           | 41                            |   |
| - | 1   | 1   | 1752356-1   | SUPPORT, TERMINAL                   | 34                            |   |
| - | 2   | 2   | 2079383-5   | SCR, BHSC, RoHS (M4 X 20)           | 33                            |   |
| - | 2   | 2   | 2-2844962-4 | SPACER, CYLINDRICAL, STRIP GUIDE    | 30                            |   |
| - | 1   | 1   | 2844992-1   | ASSEMBLY, STRIP GUIDE               | 29                            |   |
| - | 1   | 1   | 455888-3    | SPACER, CRIMPER                     | 28                            |   |
| - | 1   | 1   | 1320928-2   | STRIP GUIDE                         | 24                            |   |
| - | 1   | 1   | 2168083-2   | SCR, SKT HD CAP, RoHS, M4 X 8.0     | 21                            |   |
| - | 2   | 2   | 1-18028-2   | WASHER, FLAT, REG M4                | 20                            |   |
| - | 1   | 1   | 2119533-1   | STRIPPER, SIDE FEED                 | 19                            |   |
| - | 1   | 1   | 2119806-1   | INSERT, SHEAR                       | 13                            |   |
| - | 1   | 1   | 3-22280-3   | SPRING, COMPRESSION                 | 12                            |   |
| - | 1   | 1   | 1-356885-4  | STOP, SHEAR                         | 11                            |   |
| - | 1   | 1   | 2119805-1   | SHEAR HOLDER, FRONT                 | 10                            |   |
| - | 1   | 1   | 1803095-1   | FLOATING SHEAR, FRONT               | 9                             |   |
| - | 1   | 1   | 1           | 6-1633932-0                         | ANVIL, COMBINATION            | 8 |
| - | 1   | 1   | 1           | 240641-5                            | SPACER                        | 7 |
| - | -   | -   | -           | -                                   | 6                             |   |
| - | 1   | 1   | 2119757-6   | DEPRESSOR, SHEAR                    | 5                             |   |
| - | 1   | 1   | 2-238011-1  | BLOCK, CRIMPER SPACER               | 4                             |   |
| - | 1   | 1   | 1           | 7-1633965-5                         | CRIMPER, INSULATION O PREMIUM | 3 |
| - | -   | -   | -           | -                                   | 2                             |   |
| - | 1   | 1   | 1           | 6-1633664-3                         | CRIMPER, WIRE                 | 1 |

| DIMENSIONS: |         | TOLERANCES UNLESS OTHERWISE SPECIFIED: |         | APPLICATOR DATA |         |
|-------------|---------|--|---------|-----------------|---------|
| mm          | 0 PLC ± | 1 PLC ±                                | 2 PLC ± | 3 PLC ±         | 4 PLC ± |
|             | ANGLES  | FINISH                                 |         |                 |         |
| MATERIAL    |         |  |         |                 |         |

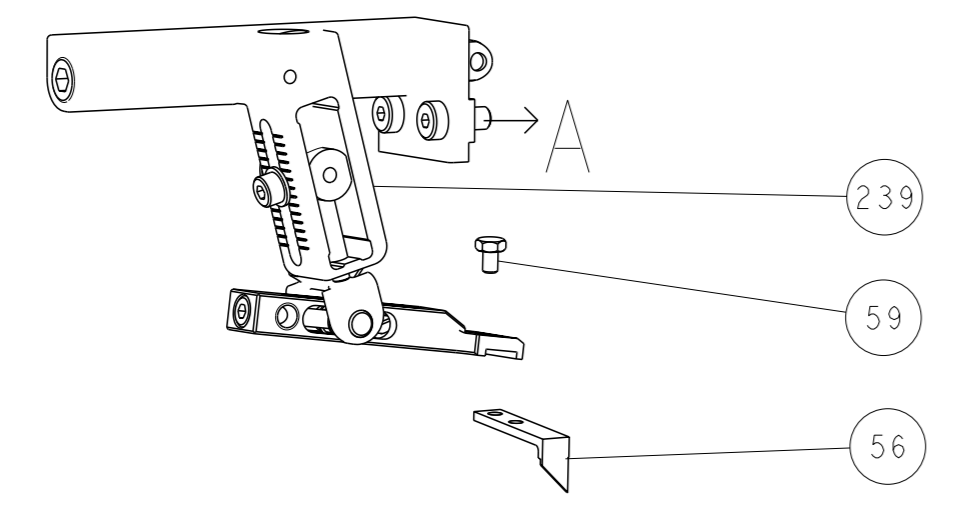
| OWN        | CHK       | DATE      | NAME      |
|------------|-----------|-----------|-----------|
| BOB HIGMAN | G. BAILEY | 02JUN2014 | D. STOUGH |

| SIZE | CAGE CODE | DRAWING NO | RESTRICTED TO |
|------|-----------|------------|---------------|
| A1   | 00779     | 2266290    | -             |

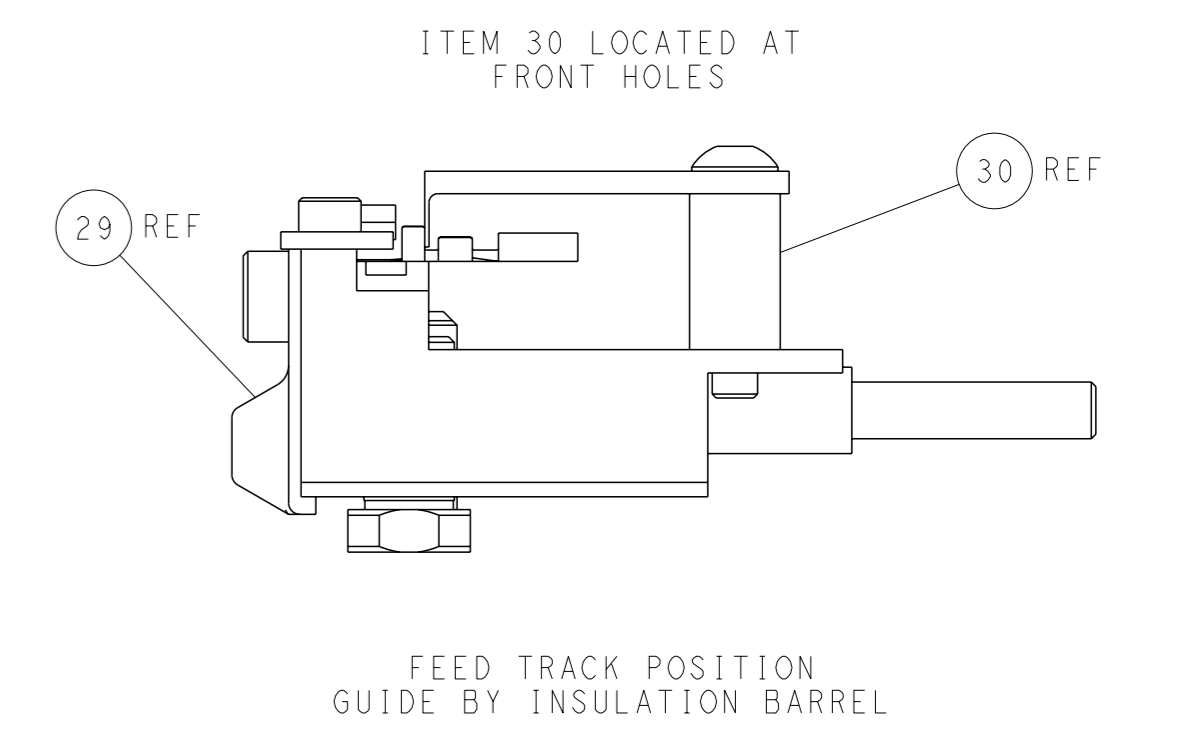
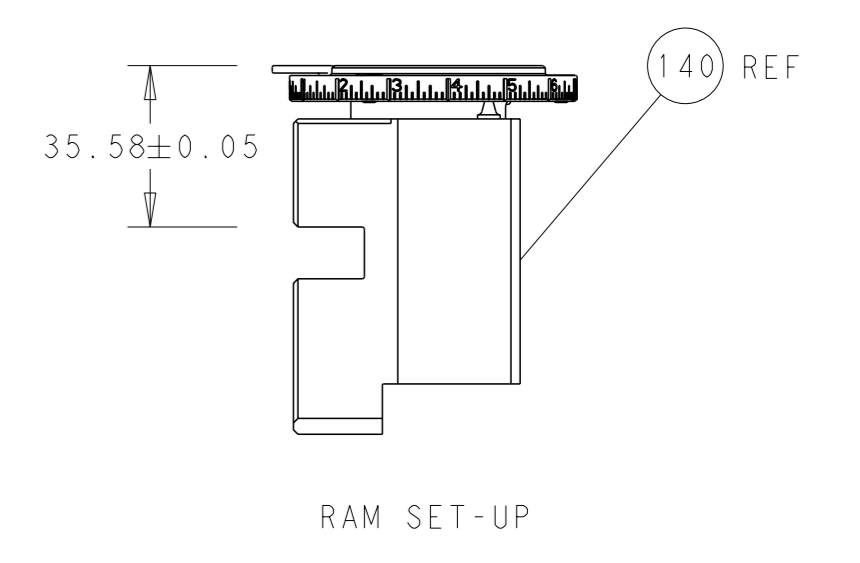
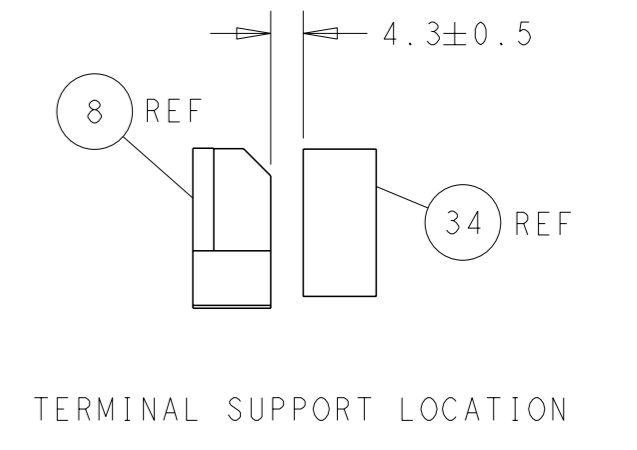
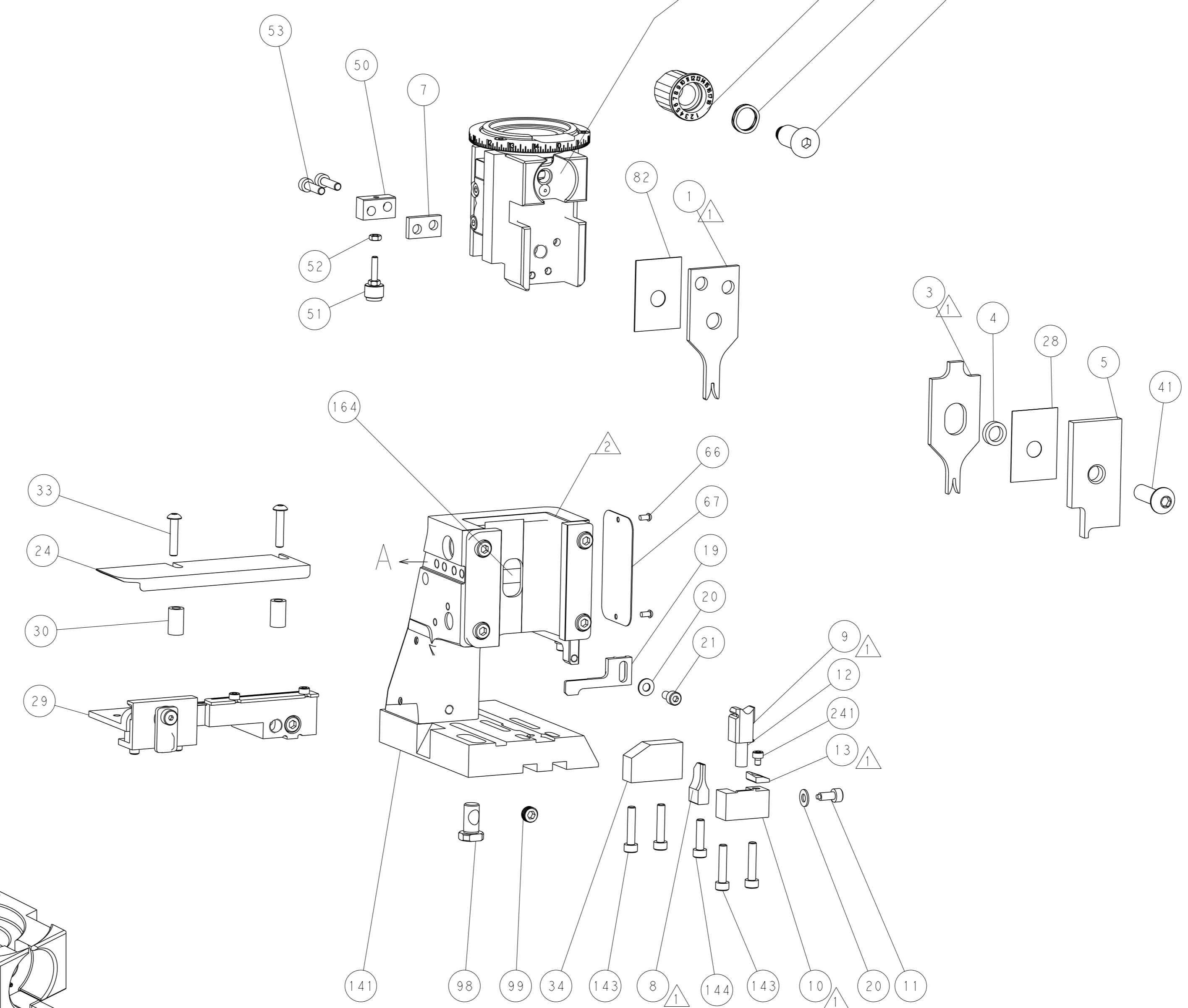
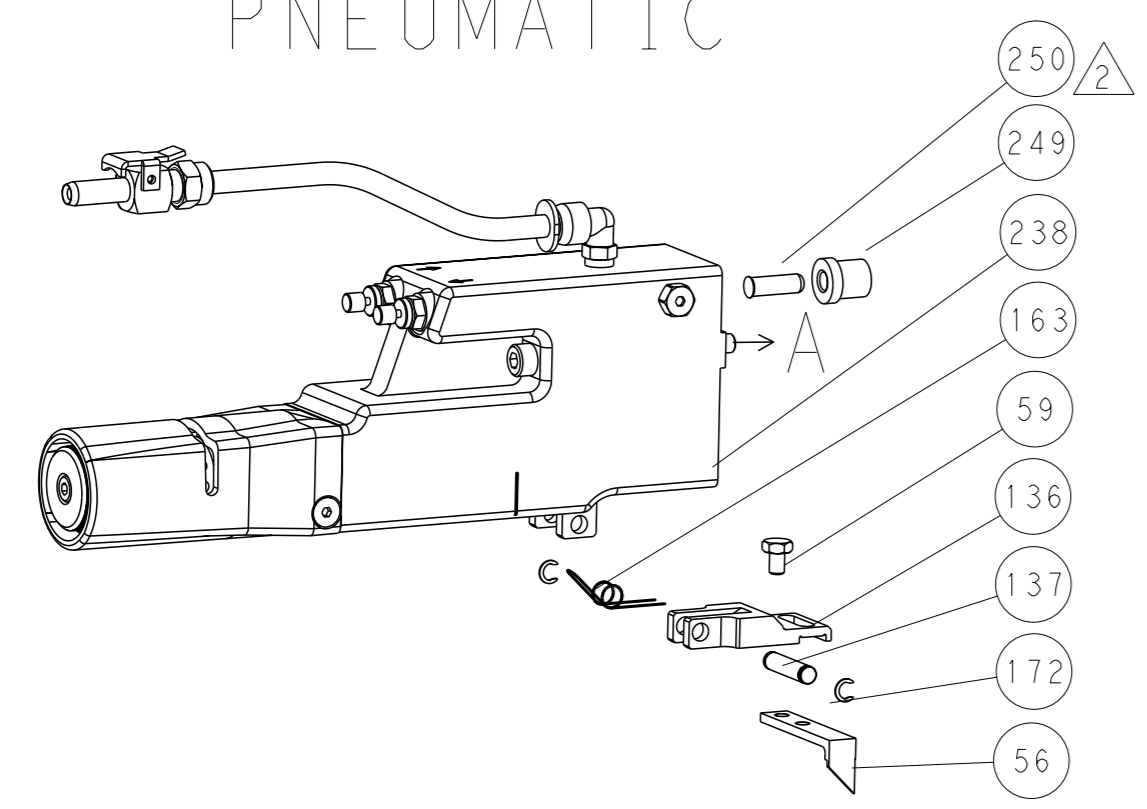
Customer Accessible Production Drawing SCALE 1:2 SHEET 3 OF 4 REV B

| LOC |    | DIST |     | REVISIONS   |      |     |      |
|-----|----|------|-----|-------------|------|-----|------|
| A   | 66 | P    | LYR | DESCRIPTION | DATE | OWN | APVD |
|     |    | -    |     | SEE SHEET 1 | -    | -   | -    |

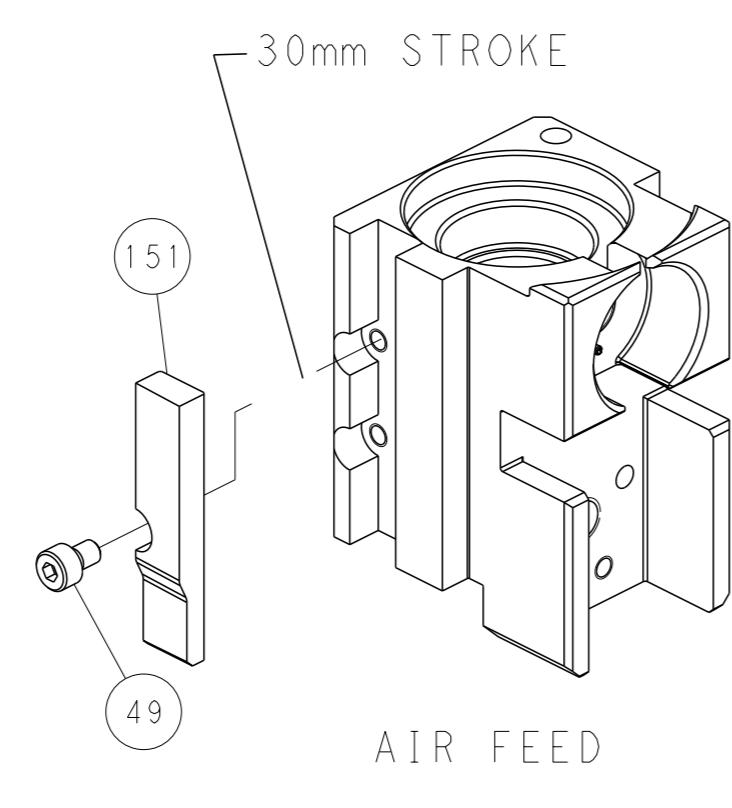
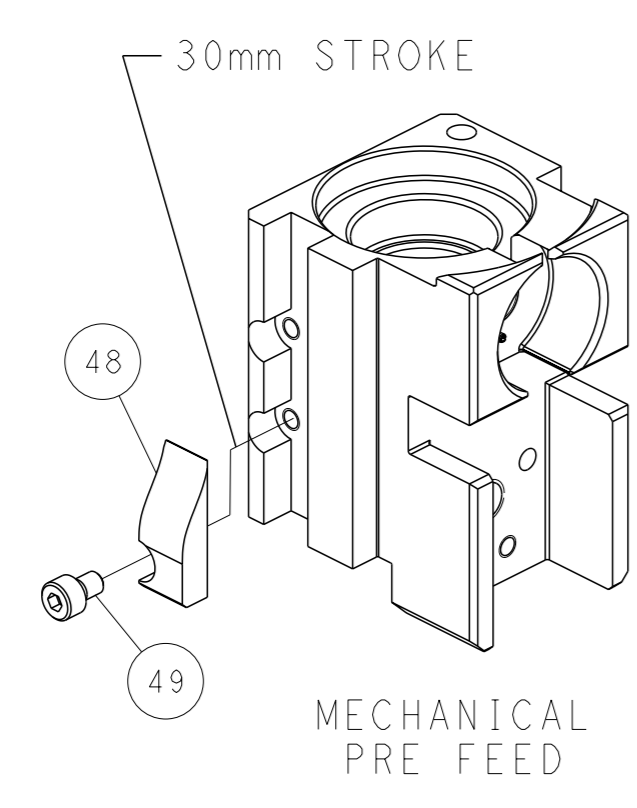
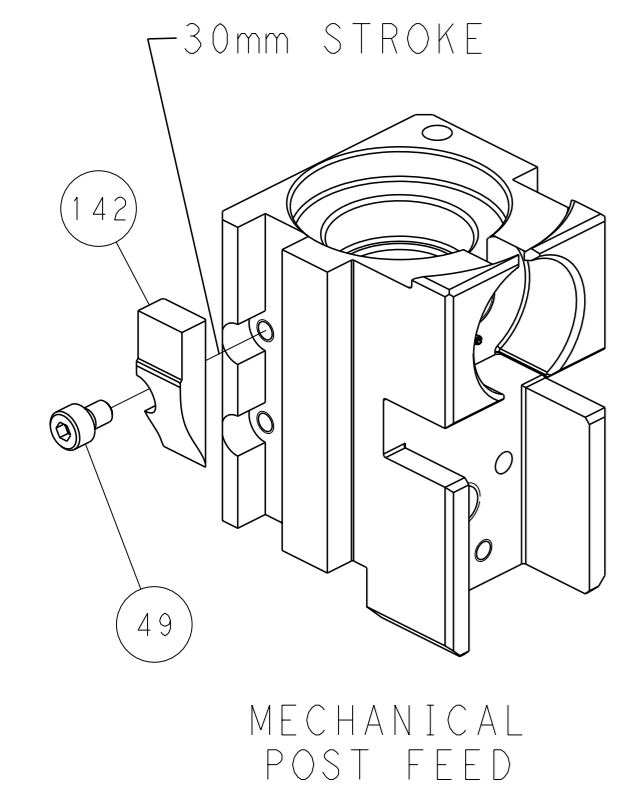
# FEED TYPE MECHANICAL



# PNEUMATIC



# CAM POSITIONS



**PACIFIC VERSION**  
 Shown on sheets 3 of 4 & 4 of 4  
 (Atlantic version shown on sheets 1 of 4 & 2 of 4)

|   |  |  |  |  |
|---|--|--|--|--|
| <small>THIS DRAWING IS UNPUBLISHED. RELEASED FOR PUBLICATION 20. COPYRIGHT 20 BY TYCO ELECTRONICS CORPORATION. ALL RIGHTS RESERVED.</small> |  | OWN: BOB HIGMAN 02JUN2014<br>CHK: G. BAILEY 02JUN2014<br>APVD: D. STOUGH 02JUN2014<br>PRODUCT SPEC: -<br>APPLICATION SPEC: -<br>MATERIAL: -<br>FINISH: - | NAME: Ocean Side Feed Applicator<br>SIZE: A1<br>CAGE CODE: 00779<br>DRAWING NO: C=2266290<br>SCALE: 1:2<br>SHEET: 4 of 4<br>REV: B | TE Connectivity<br>Harrisburg, PA 17105-3608 |
| DIMENSIONS: mm<br>TOLERANCES UNLESS OTHERWISE SPECIFIED:<br>0 PLC ±<br>1 PLC ±<br>2 PLC ±<br>3 PLC ±<br>4 PLC ±<br>ANGLES ±<br>FINISH ±     |  | WEIGHT: -<br>RESTRICTED TO: -  | Customer Accessible Production Drawing   |  |