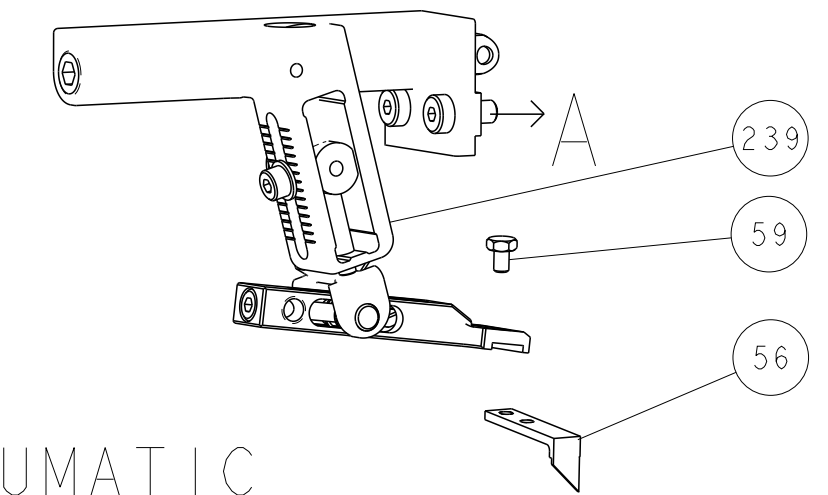
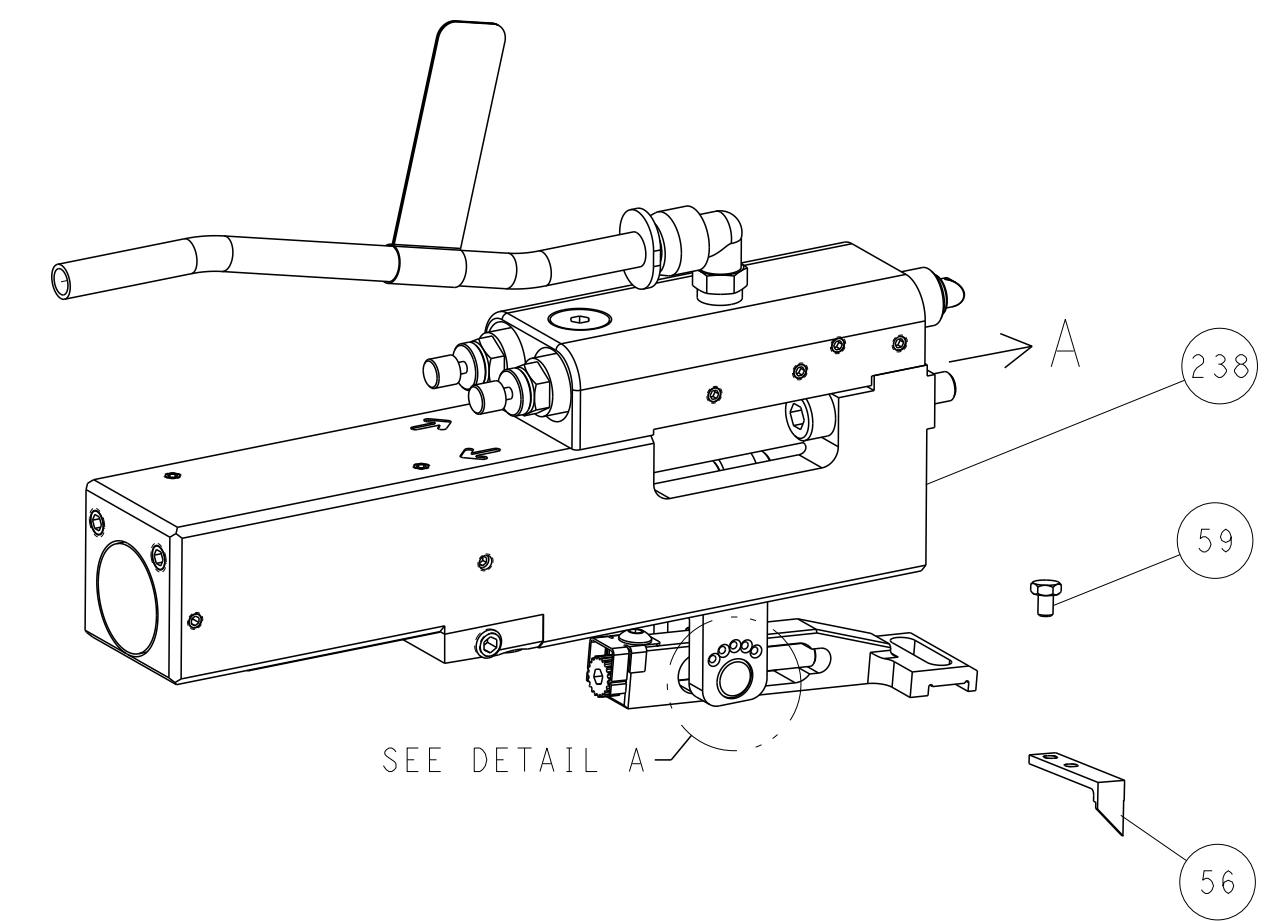


LOC	DIST	REVISIONS					
A	66	P	LYN	DESCRIPTION	DATE	OWN	APVD
		-		SEE SHEET 1			

FEED TYPE MECHANICAL



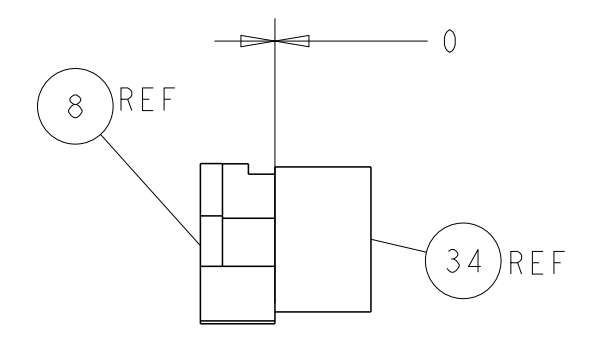
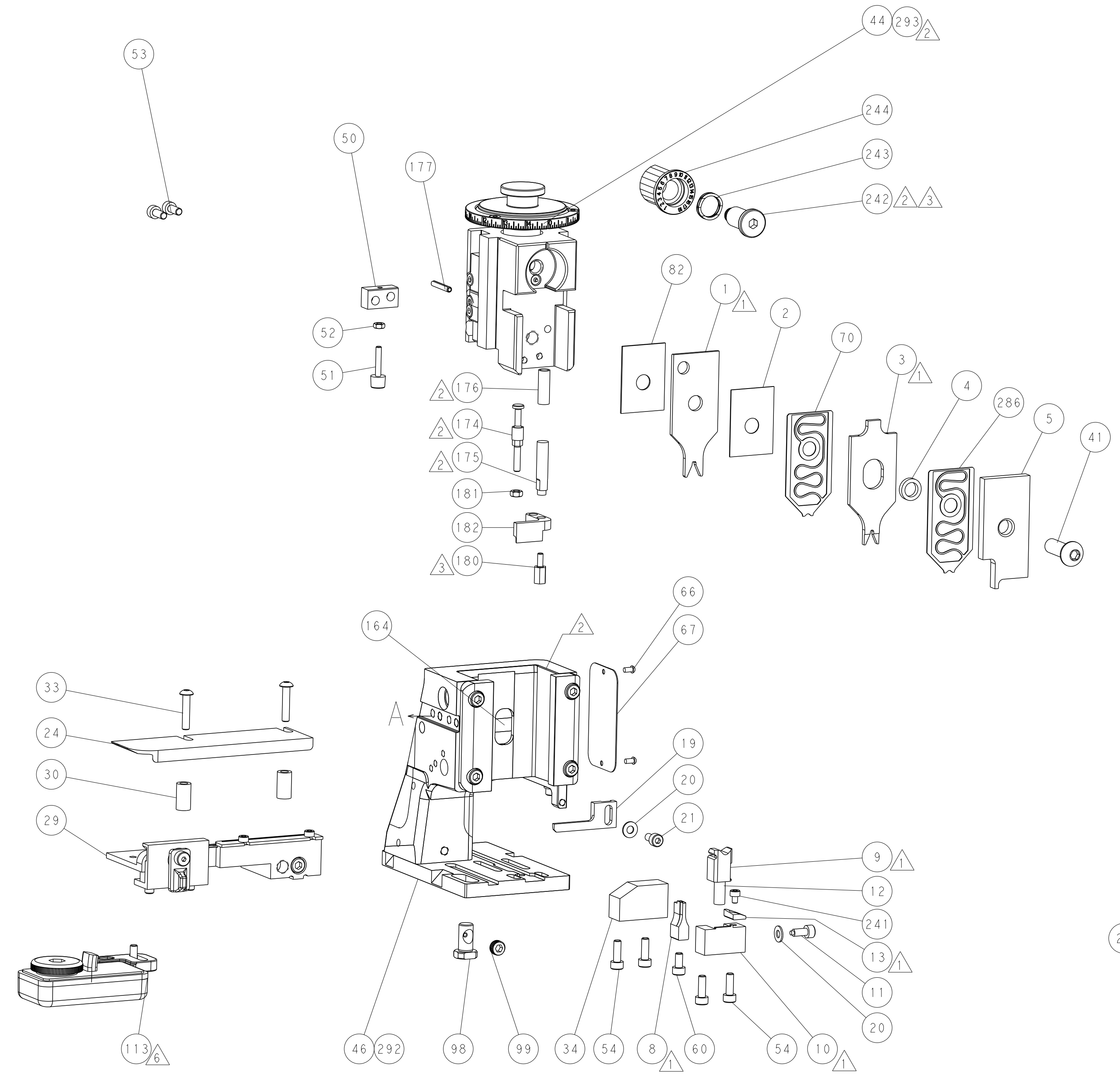
PNEUMATIC



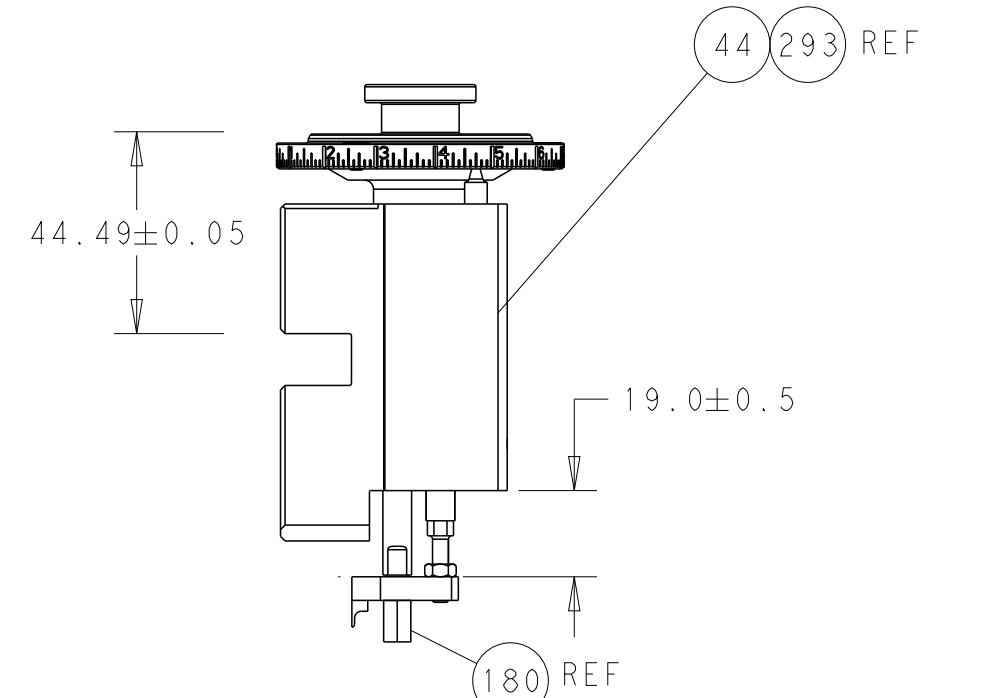
FEED SPRING SETTING POSITION (SHOWN FROM REAR SIDE)



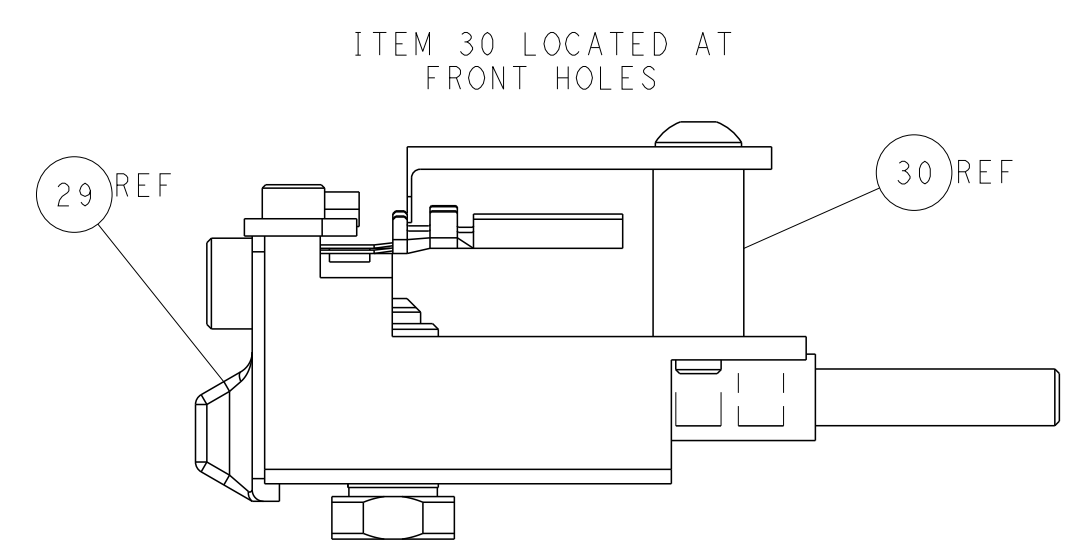
DETAIL A



TERMINAL SUPPORT LOCATION

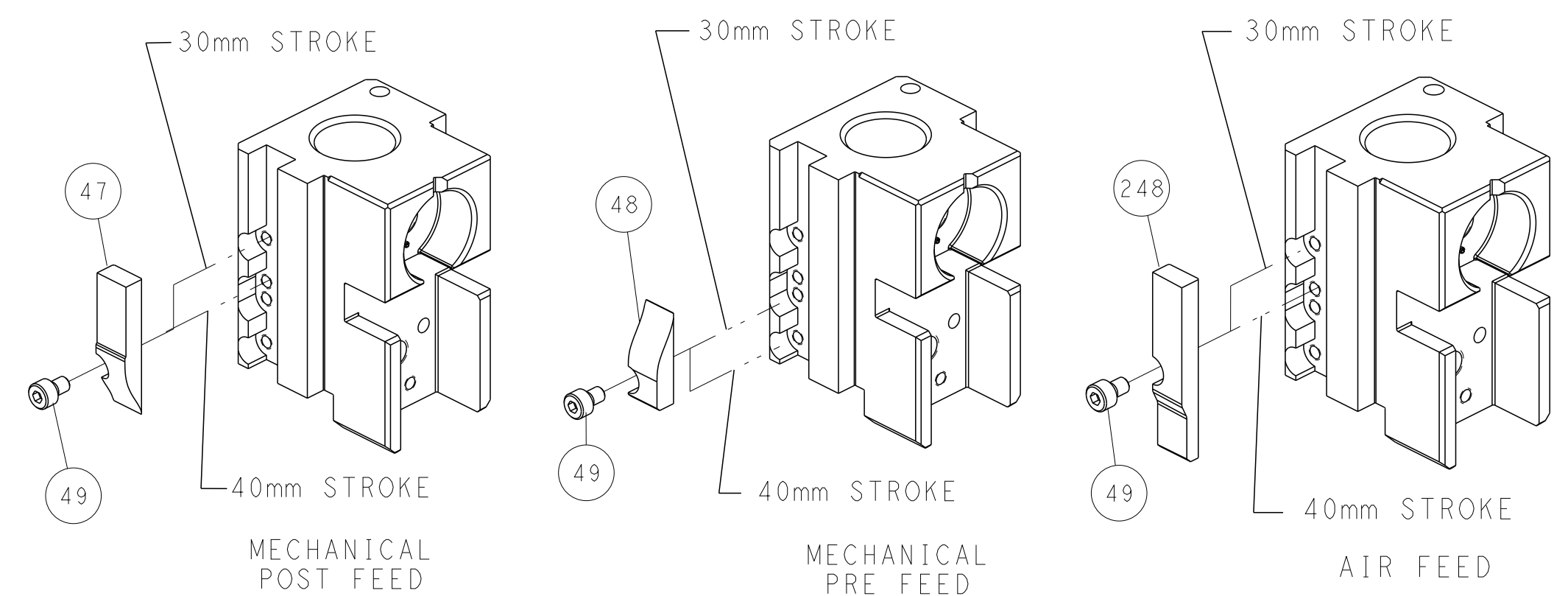


RAM & HOLD DOWN SET-UP



FEED TRACK POSITION GUIDE BY INSULATION BARREL

CAM POSITIONS



DIMENSIONS:		TOLERANCES UNLESS OTHERWISE SPECIFIED:		DWG: R. KNEPPER 04-Oct-13		TE Connectivity	
mm		0 PLC ±		CHK: G. BAILEY 04-Oct-13		Harrisburg, PA 17105-3608	
Ø		2 PLC ±		APPV: M. CLIFFORD 04-Oct-13		NAME: Ocean Side Feed Applicator	
H		3 PLC ±		PRODUCT SPEC		SIZE: CAGE CODE: DRAWING NO:	
A		4 PLC ±		APPLICATION SPEC		RESTRICTED TO:	
R		5 PLC ±		WEIGHT		A1 00779 C=2266103	
S		6 PLC ±		MATERIAL		SCALE: 1:2 SHEET 2 OF 4 REV E1	
T		7 PLC ±		FINISH		Customer Accessible Production Drawing	
U		8 PLC ±				SHEETS 3 & 4 ARE NOT REQUIRED FOR ATLANTIC VERSION	