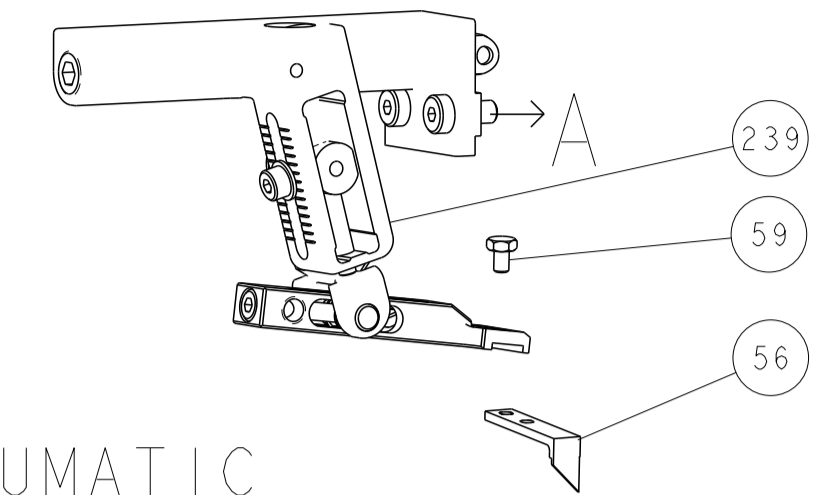
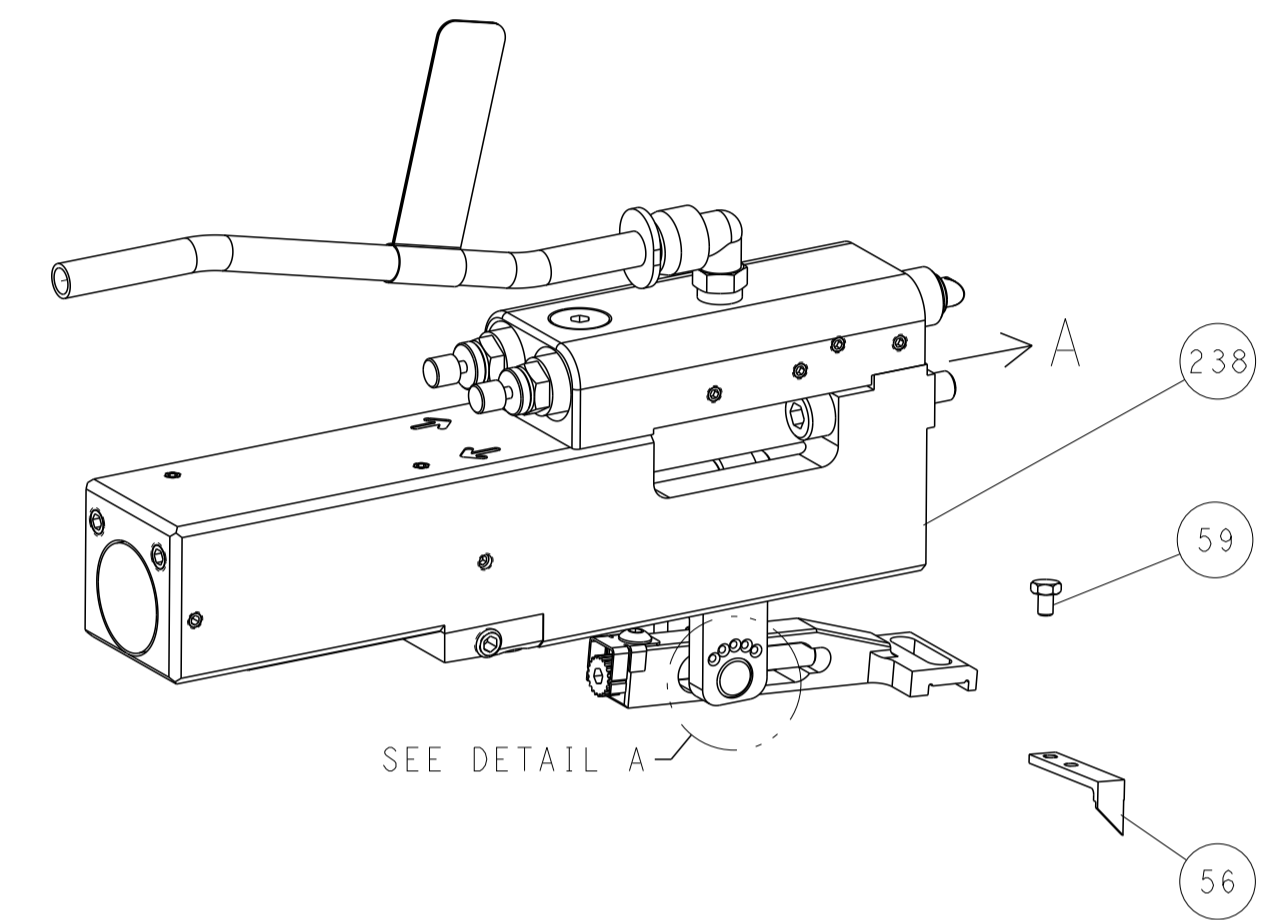


LOC	DIST	REV	DATE	BY	APPV
A	66				

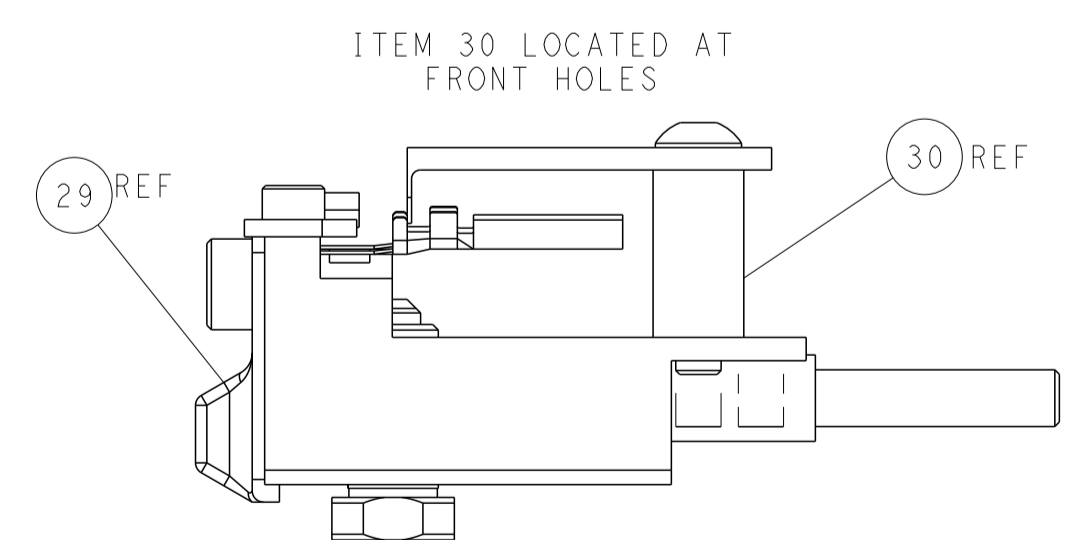
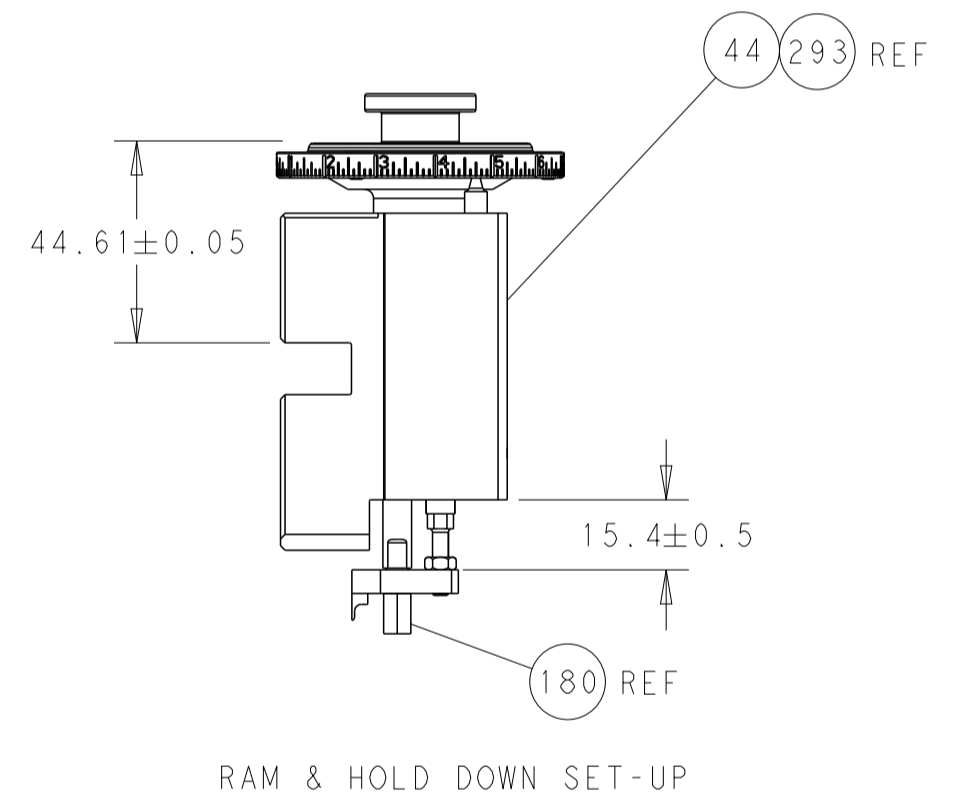
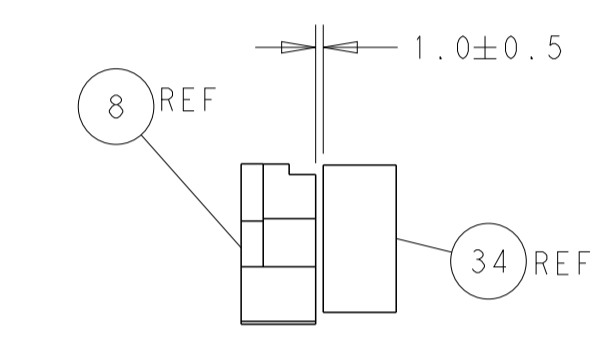
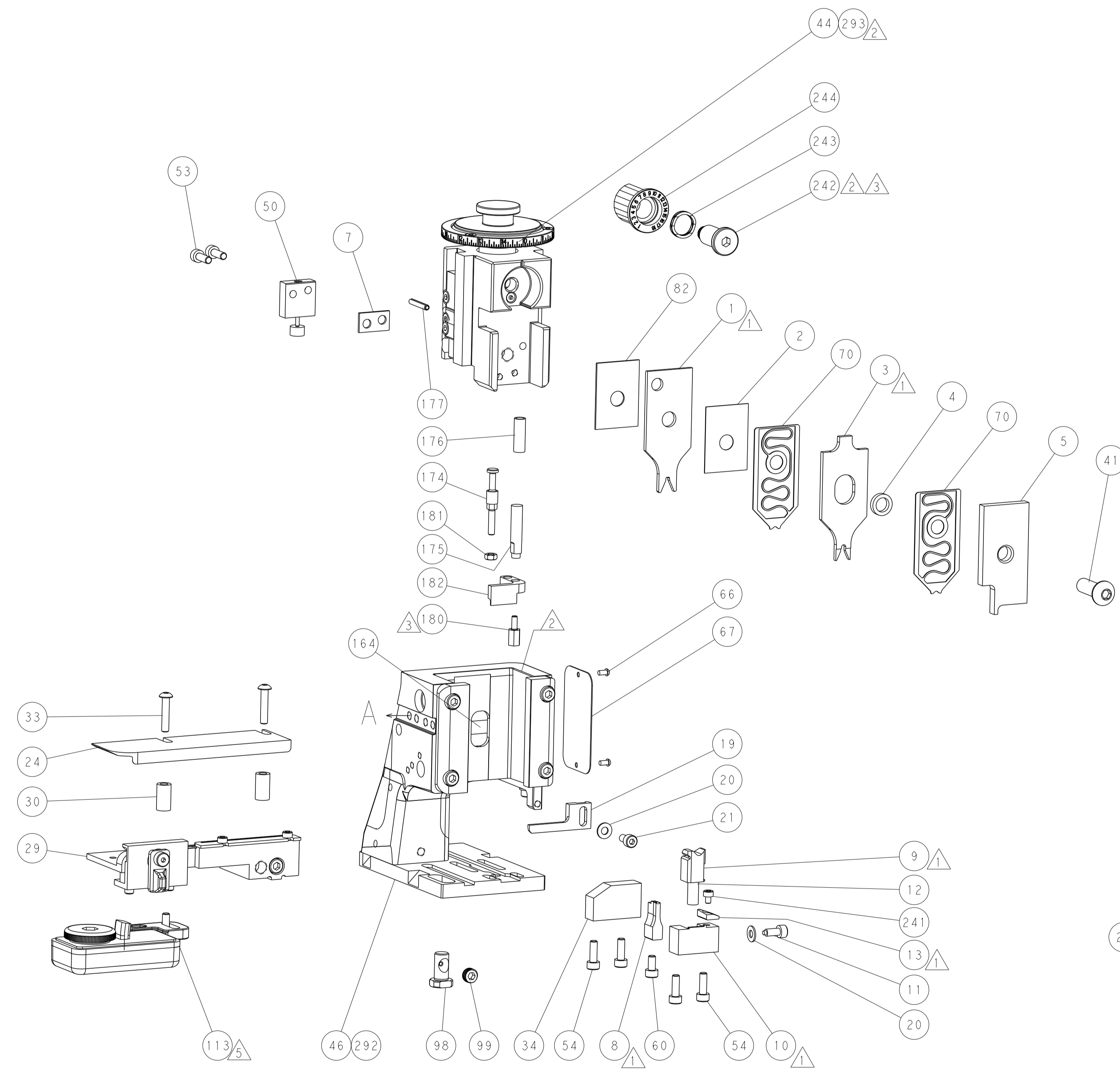
FEED TYPE MECHANICAL



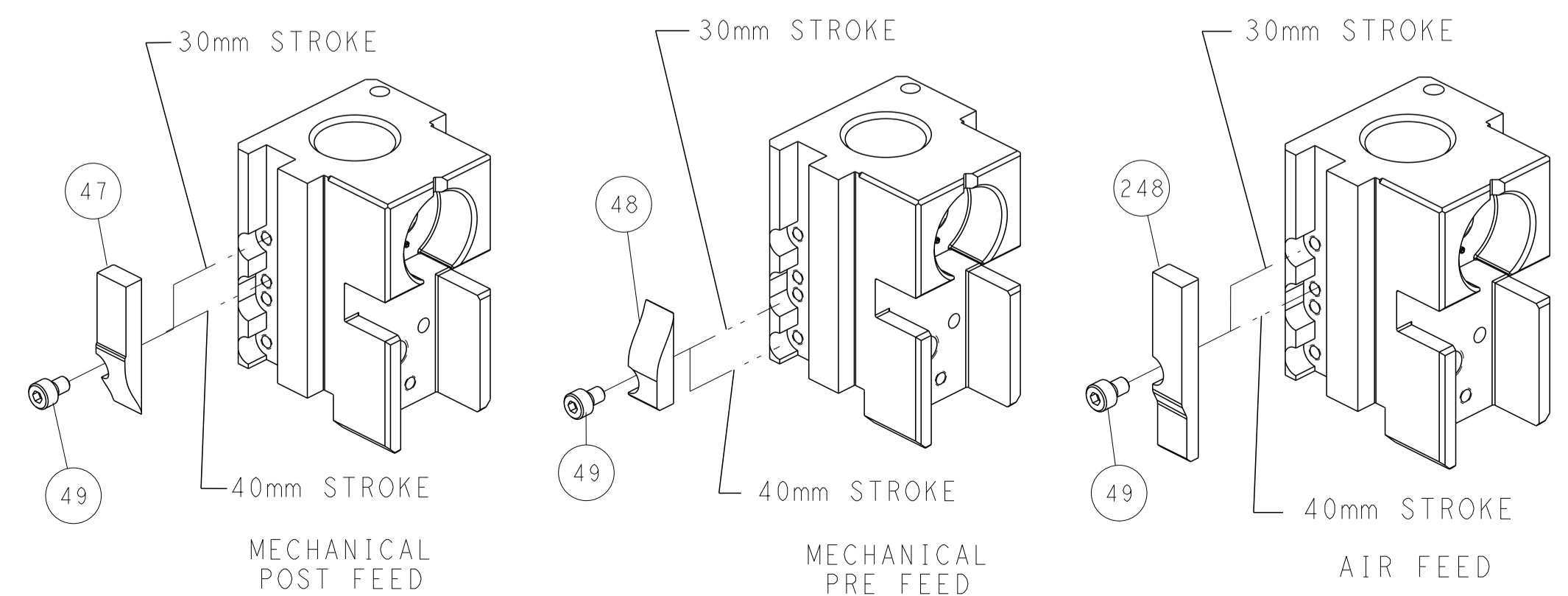
PNEUMATIC



FEED SPRING SETTING POSITION (SHOWN FROM REAR SIDE)



CAM POSITIONS



DIMENSIONS: mm TOLERANCES UNLESS OTHERWISE SPECIFIED: 0 PLC ± 1 PLC ± 2 PLC ± 3 PLC ± 4 PLC ± ANGLES ° ± FINISH		DWN R. KNEPPER 03-Oct-13 CHK G. BAILEY 03-Oct-13 APVD M. CLIFFORD 03-Oct-13 PRODUCT SPEC APPLICATION SPEC WEIGHT SCALE 1:2		NAME Ocean Side Feed Applicator SIZE CAGE CODE DRAWING NO. A1 00779 C=2266101 SHEET 2 OF 4 REV F2	
MATERIAL: - FINISH: -		RESTRICTED TO: - SCALE 1:2		SHEET 2 OF 4 REV F2	