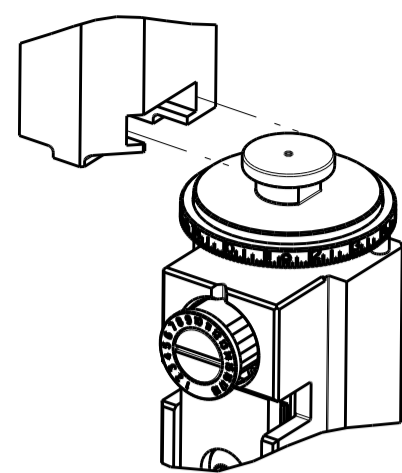


PART NUMBER	REVISION	DESCRIPTION	FEED TYPE
2266089-2	C	FINE CRIMP HEIGHT ADJUST	PNEUMATIC
7-2266089-2	C	PNEUMATIC AND CRIMP TOOLING KIT	PNEUMATIC
7-2266089-7	B	CRIMP TOOLING KIT	-

ATLANTIC VERSION TERMINATOR INTERFACE ADAPTER

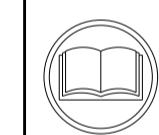


APPLICATOR DATA		
CRIMP	SIZE	TYPE
WIRE	4.06 mm [.160]	F
INSUL	5.84 mm [.230]	F

APPLICATOR INSTRUCTIONS  
408-35042

TERMINAL DATA: MTA TERMINAL		MTA CRIMP SPECIFICATION	
TERMINAL NAME: TERMINAL POWER F800			
WIRE STRIP LENGTH		INSULATION DIAMETER RANGE	
6.75-7.51 mm [.266-.296 1N]		∅ 5.33 mm MAX [.210 IN MAX]	
TERMINAL APPLICATION SPECIFICATION	MTA SPECIFICATION	BO-018.004A	
TERMINALS APPLIED			
TE TERMINAL	MTA TERMINAL	TE TERMINAL	MTA TERMINAL
1949296-1	17.07660		

WIRE SIZE	CRIMP HEIGHT mm [INCH]	CRIMP HEIGHT REFERENCE SETTING
6.00mm2	2.85 +/- 0.05 [.112 +/- .002]	7.6
4.0+2.5	2.75 +/- 0.05 [.108 +/- .002]	8.5
4.00mm2	2.50 +/- 0.05 [.098 +/- .002]	11.3



- RECOMMENDED SPARE PARTS
- REFER TO SUPPLIED INSTRUCTION SHEET FOR CLEANING, LUBRICATION AND STORAGE OF APPLICATOR.
- APPLY PART NUMBER 2-23419-6 LOCTITE TO THREADS OF ITEM 242.
- CRIMP HEIGHT REFERENCE SETTING WAS THE SETTING USED WHEN THE APPLICATOR WAS QUALIFIED AT THE FACTORY. ADJUSTMENT MAY BE NECESSARY WHEN RUNNING APPLICATOR IN THE FIELD.
- TERMINAL PITCH NOT COMPATIBLE WITH MECHANICAL FEED.
- 6. UNLESS SPECIFIED OTHERWISE TORQUE VALUES SHALL BE USED PER DOCUMENT, 101-35000.

**\*WARNING**  
ON INSTALLATION, SET WIRE DISC TO CRIMP HEIGHT REFERENCE SETTING FOR LARGEST WIRE SIZE. CRIMP HEIGHT REFERENCE SETTINGS GREATER THAN THE VALUE SHOWN MAY CAUSE DAMAGE TO THE CRIMP TOOLING, REFER TO THE INSTRUCTION SHEET FOR PROPER SETUP AND ADJUSTMENTS.

ATLANTIC VERSION  
Shown on sheets 1 of 4 & 2 of 4  
(Pacific version shown on sheets 3 of 4 & 4 of 4)

LOC	DIST	REVISIONS			
A	66	REV	DATE	BY	APP'D
		A	RELEASED	11DEC2013	YY UG
		A1	ECR-14-000388	10JAN2014	XZ GB
		B	ECR-15-003443	10MAR2015	YY TE
		C	ECR-20-002590	26FEB2020	FJ TE

-	1	1	1803078-2	SPACER, PRECISION	259
-	1	1	2119641-1	FEED CAM, AIR FEED	248
-	1	1	2119082-7	CAM, SNAIL, INSULATION ADJUSTMENT	244
-	1	1	2079764-1	WASHER, WAVE SPRING, CREST-TO-CREST	243
	1	1	2119083-1	RETAINER, INSULATION DIAL	242
-	1	1	7-18023-7	SCR, SKT HD CAP M3 X 4.0	241
-	1	1	2844940-2	AIR FEED MODULE	238
-	REF	REF	994970-2	COUNTER, MAGNETIC	164
-	1	1	318563-1	GUARD, FRONT CHIP	119
-	1	1	2844908-1	SCREW, LOCKING	99
-	1	1	2844907-1	POST, LOCKING	98
-	1	1	1-690438-0	FRONT STRIP GUIDE	96
-	4	4	2168083-1	SCR, SKT HD CAP, RoHS, M3 X 8.0	95
-	1	1	1-455888-2	SPACER, CRIMPER	82
-	2	2	18024-6	SCR, BTN SKT HD CAP (M4 X 8.0)	79
-	1	1	1803096-1	EXTENSION PLATE	78
-	1	1	1633782-6	FENCE	72
-	1	1	1803607-3	DOCUMENTATION PACKAGE	71
-	1	1	2119791-5	DEPRESSOR, WIRE	70
-	1	1	2119740-1	TAG, IDENTIFICATION	67
-	2	2	2168078-1	SCREW, DRIVE, RH, RoHS, 2 x .188	66
-	2	2	2-18032-5	SCR, SET, FLT PNT, M5 X 20.0	61
-	1	1	2168083-2	SCR, SKT HD CAP, RoHS, M4 X 8.0	60
-	1	1	5-18022-5	SCR, HEX HD CAP, M4 X 6.0	59
-	1	1	1338683-8	FEED PAWL	56
-	4	4	2168083-3	SCR, SKT HD CAP, RoHS, M4 X 12.0	54
-	2	2	2168083-8	SCR, SKT HD CAP, RoHS, M4 X 16	53
-	1	1	5018030-1	NUT, HEX, REG, RoHS, M3	52
-	1	1	811242-5	BUMPER, HOLD DOWN	51
-	1	1	690753-2	SPACER, TONKER	50
-	1	1	18023-9	SCR, SKT HD CAP M4 X 6.0	49
-	1	1	1803583-9	APPLICATOR BASIC ASSEMBLY, SF	46
-	1	1	1803515-2	RAM ASSEMBLY, SF ATLANTIC	44
-	1	1	1803602-2	SCR, BHSC, RoHS (M8 X 40)	41
-	1	1	1752356-6	SUPPORT, TERMINAL	34
-	2	2	2079383-5	SCR, BHSC, RoHS (M4 X 20)	33
-	2	2	2-2844962-6	SPACER, CYLINDRICAL, STRIP GUIDE	30
-	1	1	2844992-3	ASSEMBLY, STRIP GUIDE	29
-	1	1	1-455888-0	SPACER, CRIMPER	28
-	2	2	22283-1	SPRING, COMPRESSION	27
-	1	1	356835-1	LEVER, DRAG RELEASE	26
-	1	1	240792-1	DRAG, TERMINAL	25
-	1	1	1320928-6	STRIP GUIDE	24
-	1	1	980371-4	SCR, SKT HD SHLDR 5.0 DIA X 6.0	23
-	1	1	2168083-2	SCR, SKT HD CAP, RoHS, M4 X 8.0	21
-	2	2	1-18028-2	WASHER, FLAT, REG M4	20
-	1	1	2119533-1	STRIPPER, SIDE FEED	19
	1	1	2119806-1	INSERT, SHEAR	13
-	1	1	3-22280-3	SPRING, COMPRESSION	12
-	1	1	1-356885-4	STOP, SHEAR	11
	1	1	2119805-1	SHEAR HOLDER, FRONT	10
	1	1	1803095-6	FLOATING SHEAR, FRONT	9
	1	2	1-3-1803171-6	ANVIL, COMBINATION	8
-	1	1	5-240641-0	SPACER	7
-	-	-	-	-	6
-	1	1	1-2119757-1	DEPRESSOR, SHEAR	5
-	1	1	238011-3	BLOCK, CRIMPER SPACER	4
	1	2	1-8-2119582-5	CRIMPER, INSULATION F PREMIUM	3
-	1	1	1-455888-2	SPACER, CRIMPER	2
	1	2	1-456414-2	CRIMPER, WIRE	1

DIMENSIONS:		TOLERANCES UNLESS OTHERWISE SPECIFIED:		DRAWN		DATE	
mm	0 PLC ±	1 PLC ±	2 PLC ±	Y. YIN	24OCT2013	CHK	24OCT2013
	3 PLC ±	4 PLC ±	ANGLES ±	G. BAILEY		APVD	
	FINISH			J. GUO	24OCT2013		
MATERIAL				NAME		TE Connectivity	
				Ocean Side Feed		Harrisburg, PA 17105-3608	
				PRODUCT SPEC		-	
				APPLICATION SPEC		-	
				SIZE	CAGE CODE	DRAWING NO	RESTRICTED TO
				A1	00779	2266089	-
				Customer Accessible Production Drawing		SCALE	1:2 SHEET 1 OF 4 REV C

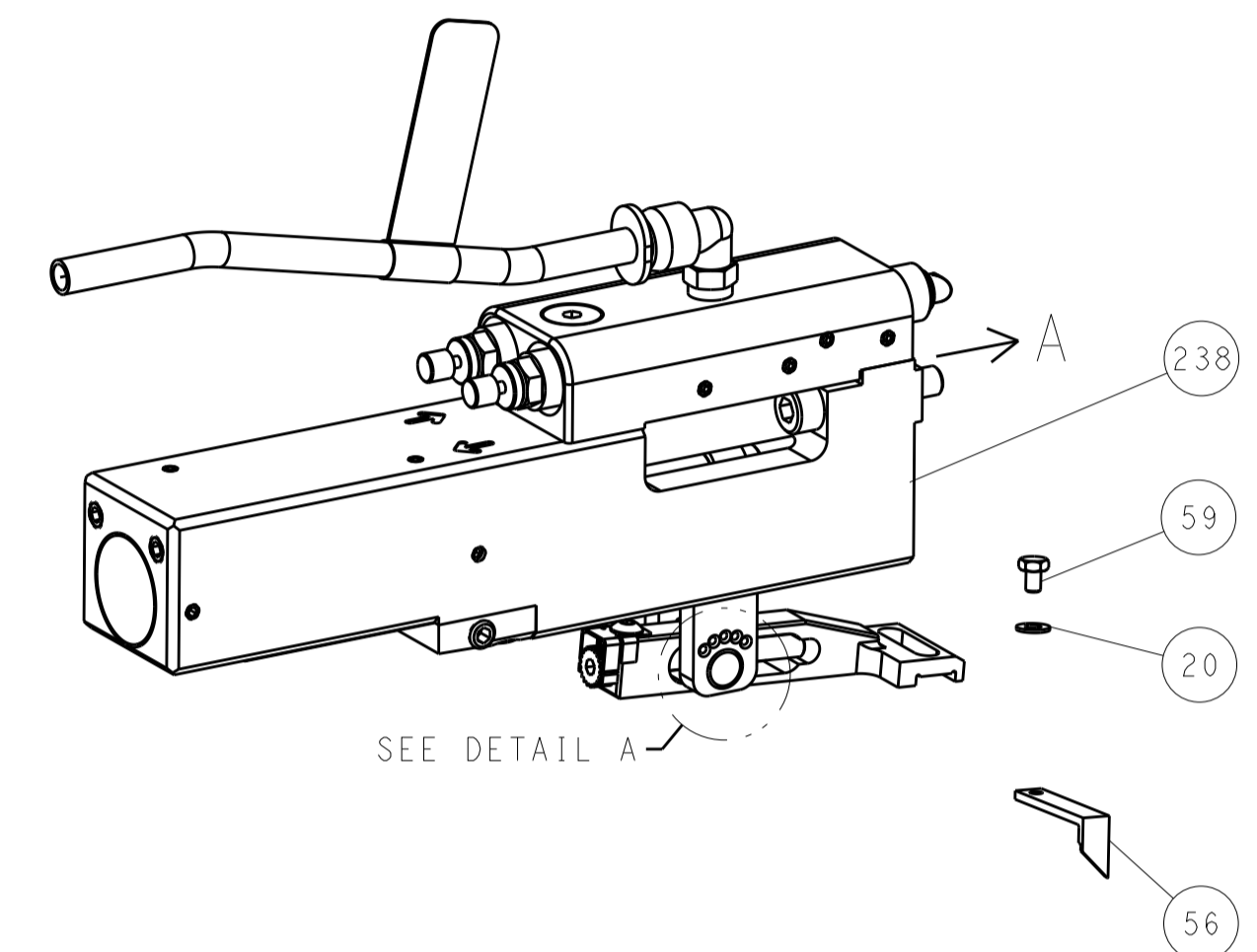
LOC	DIST	REV	DATE	BY	APPD
A	66				

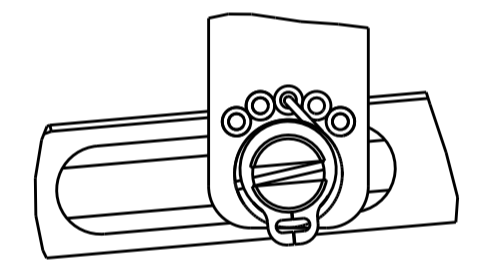
REVISIONS			
REV	DATE	BY	DESCRIPTION
-	-	-	SEE SHEET 1

# FEED TYPE

## PNEUMATIC

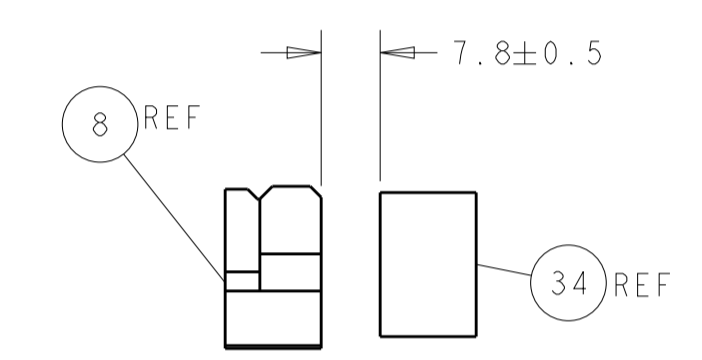
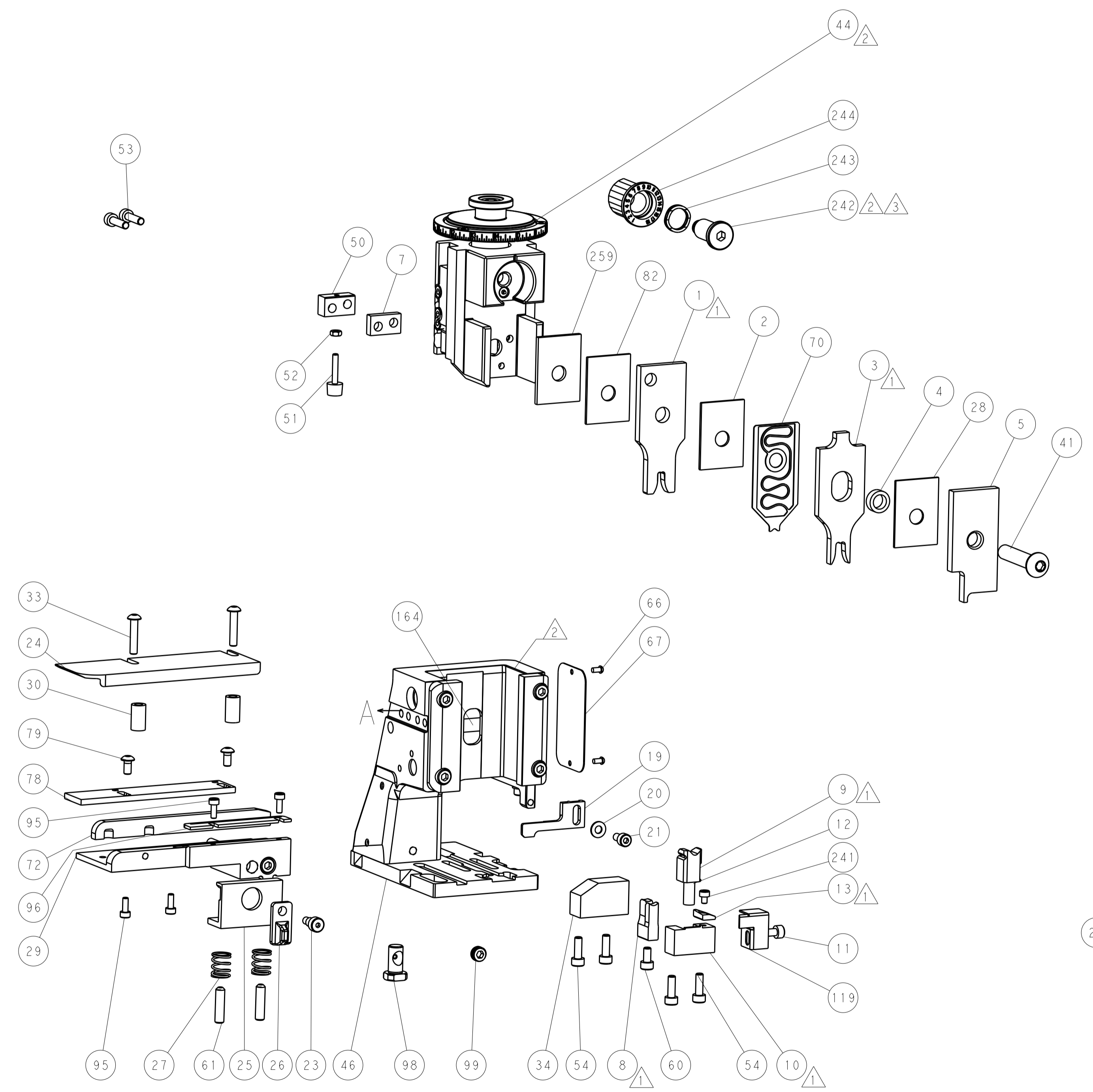
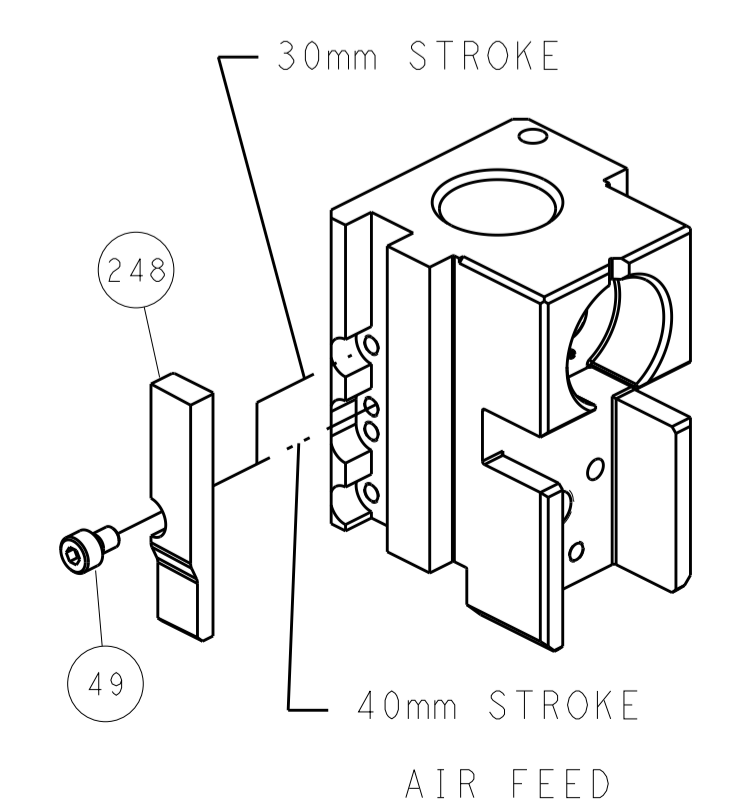


## FEED SPRING SETTING POSITION (SHOWN FROM REAR SIDE)

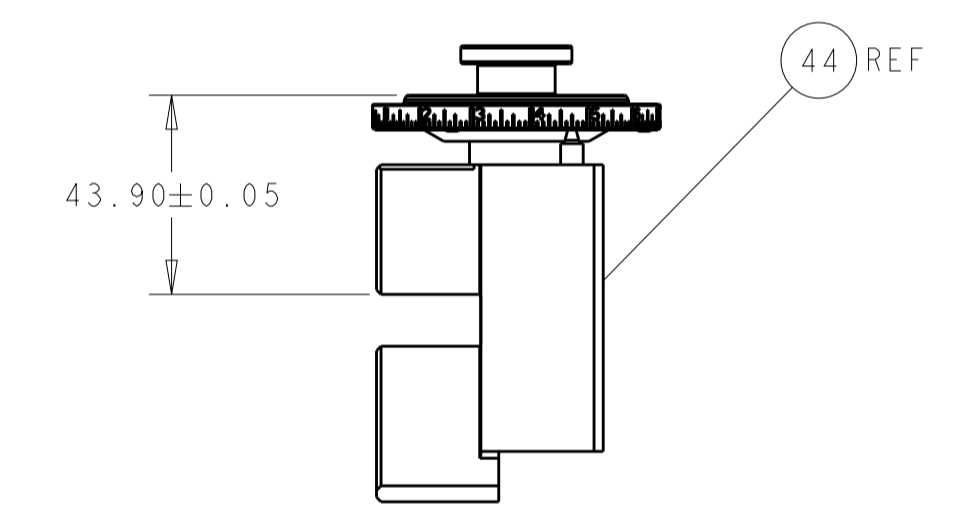


DETAIL A

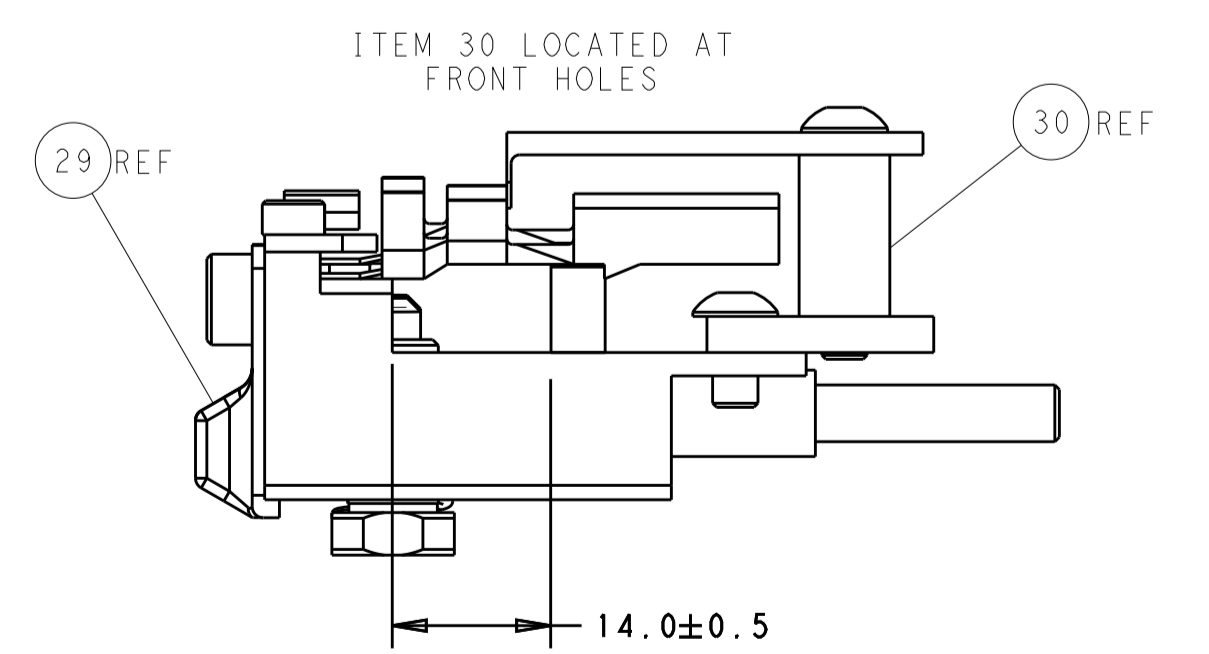
## CAM POSITION



TERMINAL SUPPORT LOCATION



RAM SET-UP



FEED TRACK POSITION GUIDE BY WIRE BARREL

**ATLANTIC VERSION**  
 Shown on sheets 1 of 4 & 2 of 4  
 (Pacific version shown on sheets 3 of 4 & 4 of 4)

<small>THIS DRAWING IS UNPUBLISHED. RELEASED FOR PUBLICATION. IT IS THE PROPERTY OF TYCO ELECTRONICS CORPORATION. IT IS TO BE USED ONLY FOR THE PURPOSES AND IN THE ORGANIZATION FOR WHICH IT WAS PREPARED. IT IS NOT TO BE REPRODUCED OR TRANSMITTED IN ANY FORM OR BY ANY MEANS, ELECTRONIC OR MECHANICAL, INCLUDING PHOTOCOPYING, RECORDING, OR BY ANY INFORMATION STORAGE AND RETRIEVAL SYSTEM, WITHOUT PERMISSION IN WRITING FROM TYCO ELECTRONICS CORPORATION.</small>		DWN: Y. YIN 24OCT2013 CHK: G. BAILEY 24OCT2013 APVD: H. GUO 24OCT2013	TE Connectivity Harrisburg, PA 17105-3608
DIMENSIONS: mm TOLERANCES UNLESS OTHERWISE SPECIFIED: 0 PLC ± 1 PLC ± 2 PLC ± 3 PLC ± 4 PLC ± ANGLES ±		NAME: Ocean Side Feed Applicator PRODUCT SPEC: APPLICATION SPEC: SIZE: A1 CAGE CODE: 00779 DRAWING NO: 2266089	RESTRICTED TO: SCALE: 1:2 SHEET: 2 OF 4 REV: C
MATERIAL: FINISH:		WEIGHT: Customer Accessible Production Drawing	SHEETS 3 & 4 ARE NOT REQUIRED FOR ATLANTIC VERSION

THIS DRAWING IS UNPUBLISHED.	RELEASED FOR PUBLICATION		
COPYRIGHT 20 BY TYCO ELECTRONICS CORPORATION. ALL RIGHTS RESERVED.			
PART NUMBER	REVISION	DESCRIPTION	FEED TYPE
2-2266089-2	C	FINE CRIMP HEIGHT ADJUST	PNEUMATIC
7-2266089-7	B	CRIMP TOOLING KIT	-

PACIFIC VERSION TERMINATOR  
INTERFACE ADAPTER



APPLICATOR DATA		
CRIMP	SIZE	TYPE
WIRE	4.06 mm [ .160 ]	F
INSUL	5.84 mm [ .230 ]	F
APPLICATOR INSTRUCTIONS 408-35042		

TERMINAL DATA: MTA TERMINAL		MTA CRIMP SPECIFICATION	
TERMINAL NAME: TERMINAL POWER F800			
WIRE STRIP LENGTH 6.75-7.51 mm [ .266-.296 IN ]		INSULATION DIAMETER RANGE 5.33 mm MAX [ .210 IN MAX ]	
TERMINAL APPLICATION SPECIFICATION	MTA SPECIFICATION	B0-018.004A	-
TERMINALS APPLIED <sup>5</sup>			
TE TERMINAL	MTA TERMINAL	TE TERMINAL	MTA TERMINAL
1949296-1	17.07660		

WIRE SIZE	CRIMP HEIGHT mm [ INCH ]	CRIMP HEIGHT REFERENCE SETTING
6.00mm2	2.85 +/- 0.05 [ .112 +/- .002 ]	7.6
4.0+2.5	2.75 +/- 0.05 [ .108 +/- .002 ]	8.5
4.00mm2	2.50 +/- 0.05 [ .098 +/- .002 ]	11.3



- <sup>1</sup> RECOMMENDED SPARE PARTS
  - <sup>2</sup> REFER TO SUPPLIED INSTRUCTION SHEET FOR CLEANING, LUBRICATION AND STORAGE OF APPLICATOR.
  - <sup>3</sup> APPLY PART NUMBER 2-23419-6 LOCTITE TO THREADS OF ITEM 242.
  - <sup>4</sup> CRIMP HEIGHT REFERENCE SETTING WAS THE SETTING USED WHEN THE APPLICATOR WAS QUALIFIED AT THE FACTORY. ADJUSTMENT MAY BE NECESSARY WHEN RUNNING APPLICATOR IN THE FIELD.
  - <sup>5</sup> TERMINAL PITCH NOT COMPATIBLE WITH MECHANICAL FEED.
6. UNLESS SPECIFIED OTHERWISE TORQUE VALUES SHALL BE USED PER DOCUMENT, 101-35000.

**\*WARNING**  
ON INSTALLATION, SET WIRE DISC TO CRIMP HEIGHT REFERENCE SETTING FOR LARGEST WIRE SIZE. CRIMP HEIGHT REFERENCE SETTINGS GREATER THAN THE VALUE SHOWN MAY CAUSE DAMAGE TO THE CRIMP TOOLING, REFER TO THE INSTRUCTION SHEET FOR PROPER SETUP AND ADJUSTMENTS.

PACIFIC VERSION  
Shown on sheets 3 of 4 & 4 of 4  
(Atlantic version shown on sheets 1 of 4 & 2 of 4)

LOC	DIST	REV	DATE	BY	CHK	APP'D
A	66					

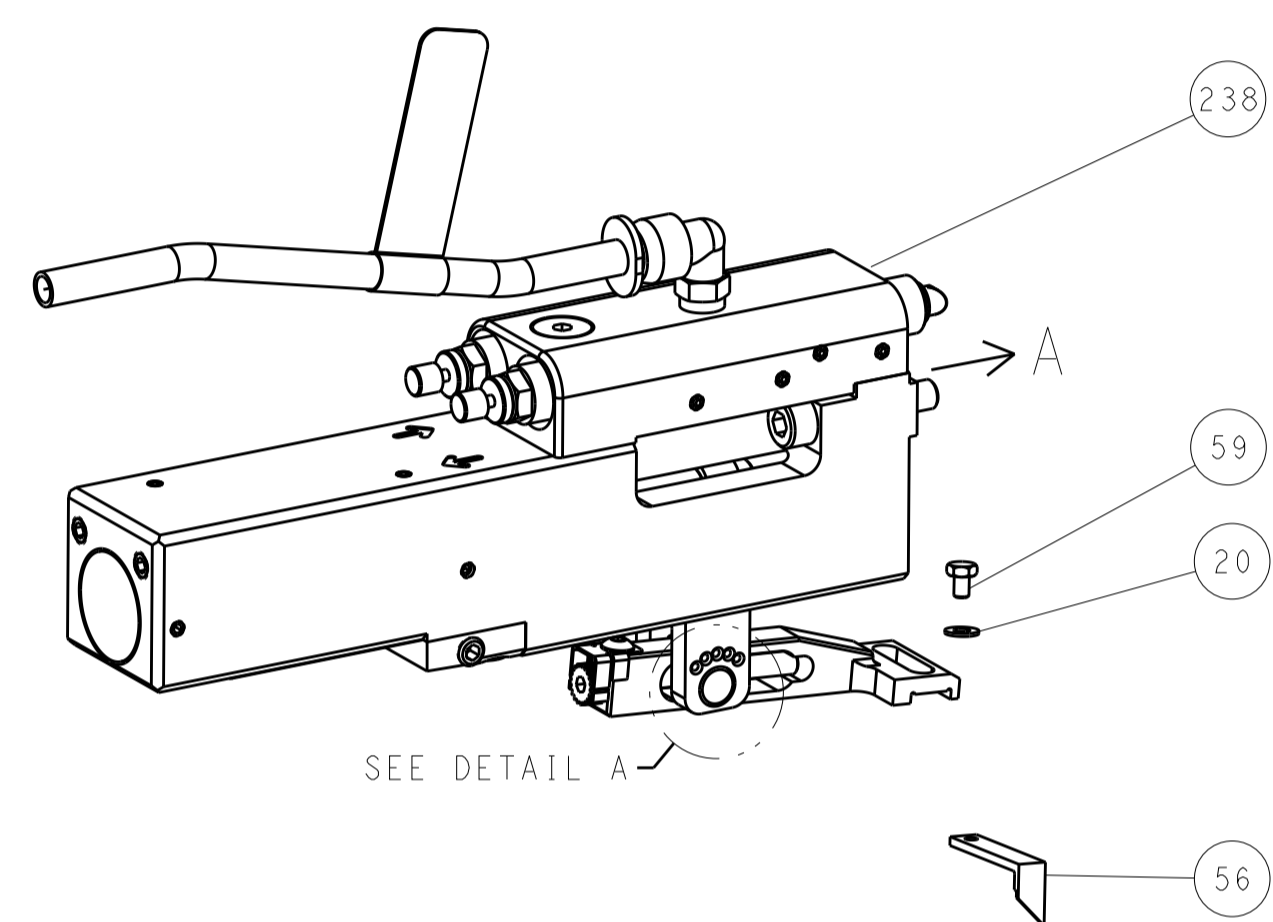
QTY	LOC	DIST	REV	DATE	BY	CHK	APP'D	DESCRIPTION	ITEM NO
-	1	1803078-2						SPACER, PRECISION	259
-	1	2119082-7						CAM, SNAIL, INSULATION ADJUSTMENT	244
-	1	2079764-1						WASHER, WAVE SPRING, CREST-TO-CREST	243
-	1	2119083-1						RETAINER, INSULATION DIAL	242
-	1	7-18023-7						SCR, SKT HD CAP M3 X 4.0	241
-	1	2844940-2						AIR FEED MODULE	238
-	REF	994970-2						COUNTER, MAGNETIC	164
-	1	2119641-2						FEED CAM, AIR FEED	151
-	1	2168083-8						SCR, SKT HD CAP, RoHS, M4 X 16	144
-	4	2168083-9						SCR, SKT HD CAP, RoHS, M4 X 20	143
-	1	1-1803583-0						APPLICATOR BASIC ASSEMBLY, SF	141
-	1	1803516-2						RAM ASSEMBLY, SF PACIFIC	140
-	1	318563-1						GUARD, FRONT CHIP	119
-	1	2844908-1						SCREW, LOCKING	99
-	1	2844907-1						POST, LOCKING	98
-	1	1-690438-0						FRONT STRIP GUIDE	96
-	4	2168083-1						SCR, SKT HD CAP, RoHS, M3 X 8.0	95
-	1	1-455888-2						SPACER, CRIMPER	82
-	2	18024-6						SCR, BTN SKT HD CAP (M4 X 8.0)	79
-	1	1803096-1						EXTENSION PLATE	78
-	1	1633782-6						FENCE	72
-	1	1803607-3						DOCUMENTATION PACKAGE	71
-	1	2119791-5						DEPRESSOR, WIRE	70
-	1	2119740-1						TAG, IDENTIFICATION	67
-	2	2168078-1						SCREW, DRIVE, RH, RoHS, 2 x .188	66
-	2	2-18032-5						SCR, SET, FLT PNT, M5 X 20.0	61
-	1	5-18022-5						SCR, HEX HD CAP, M4 X 6.0	59
-	1	1338683-8						FEED PAWL	56
-	2	2168083-8						SCR, SKT HD CAP, RoHS, M4 X 16	53
-	1	5018030-1						NUT, HEX, REG, RoHS, M3	52
-	1	811242-5						BUMPER, HOLD DOWN	51
-	1	690753-2						SPACER, TONKER	50
-	1	18023-9						SCR, SKT HD CAP M4 X 6.0	49
-	1	1803602-2						SCR, BHSC, RoHS (M8 X 40)	41
-	1	1752356-6						SUPPORT, TERMINAL	34
-	2	2079383-5						SCR, BHSC, RoHS (M4 X 20)	33
-	2	2-2844962-6						SPACER, CYLINDRICAL, STRIP GUIDE	30
-	1	2844992-3						ASSEMBLY, STRIP GUIDE	29
-	1	1-455888-0						SPACER, CRIMPER	28
-	2	22283-1						SPRING, COMPRESSION	27
-	1	356835-1						LEVER, DRAG RELEASE	26
-	1	240792-1						DRAG, TERMINAL	25
-	1	1320928-6						STRIP GUIDE	24
-	1	980371-4						SCR, SKT HD SHLDR 5.0 DIA X 6.0	23
-	1	2168083-2						SCR, SKT HD CAP, RoHS, M4 X 8.0	21
-	2	1-18028-2						WASHER, FLAT, REG M4	20
-	1	2119533-1						STRIPPER, SIDE FEED	19
-	1	2119806-1						INSERT, SHEAR	13
-	1	3-22280-3						SPRING, COMPRESSION	12
-	1	1-356885-4						STOP, SHEAR	11
-	1	2119805-1						SHEAR HOLDER, FRONT	10
-	1	1803095-6						FLOATING SHEAR, FRONT	9
-	1	3-1803171-6						ANVIL, COMBINATION	8
-	1	5-240641-0						SPACER	7
-	-	-						-	6
-	1	1-2119757-1						DEPRESSOR, SHEAR	5
-	1	238011-3						BLOCK, CRIMPER SPACER	4
-	1	8-2119582-5						CRIMPER, INSULATION F PREMIUM	3
-	1	1-455888-2						SPACER, CRIMPER	2
-	1	1-456414-2						CRIMPER, WIRE	1
-77	-22	PART NO						DESCRIPTION	ITEM NO

DIMENSIONS:		TOLERANCES UNLESS OTHERWISE SPECIFIED:		DRAWN: Y. YIN 24OCT2013		CHK: G. BAILEY 24OCT2013		APVD: H. GUO 24OCT2013		NAME: Ocean Side Feed Applicator	
mm	0 PLC ±	1 PLC ±	2 PLC ±	3 PLC ±	4 PLC ±	ANGLES ±	FINISH	SIZE: A1	CAGE CODE: 00779	DRAWING NO: 2266089	RESTRICTED TO: -
MATERIAL: -								WEIGHT: -		SCALE: 1:2	
Customer Accessible Production Drawing								SHEET 3 OF 4		REV C	

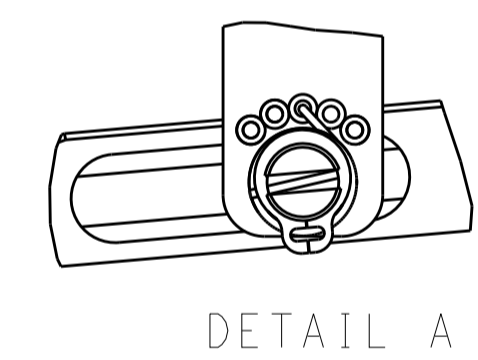
LOC		DIST		REVISIONS			
A		66		REV	DATE	BY	APPD
				1	SEE SHEET 1		

# FEED TYPE

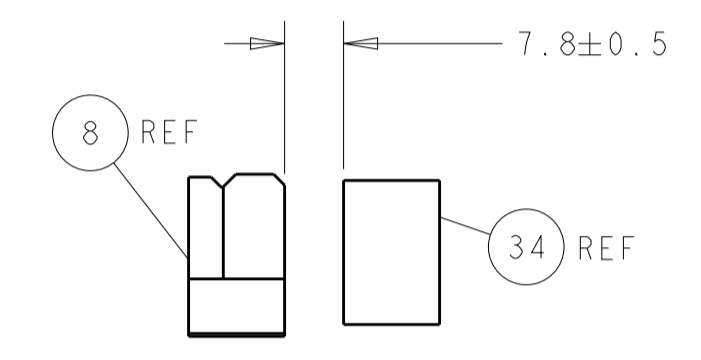
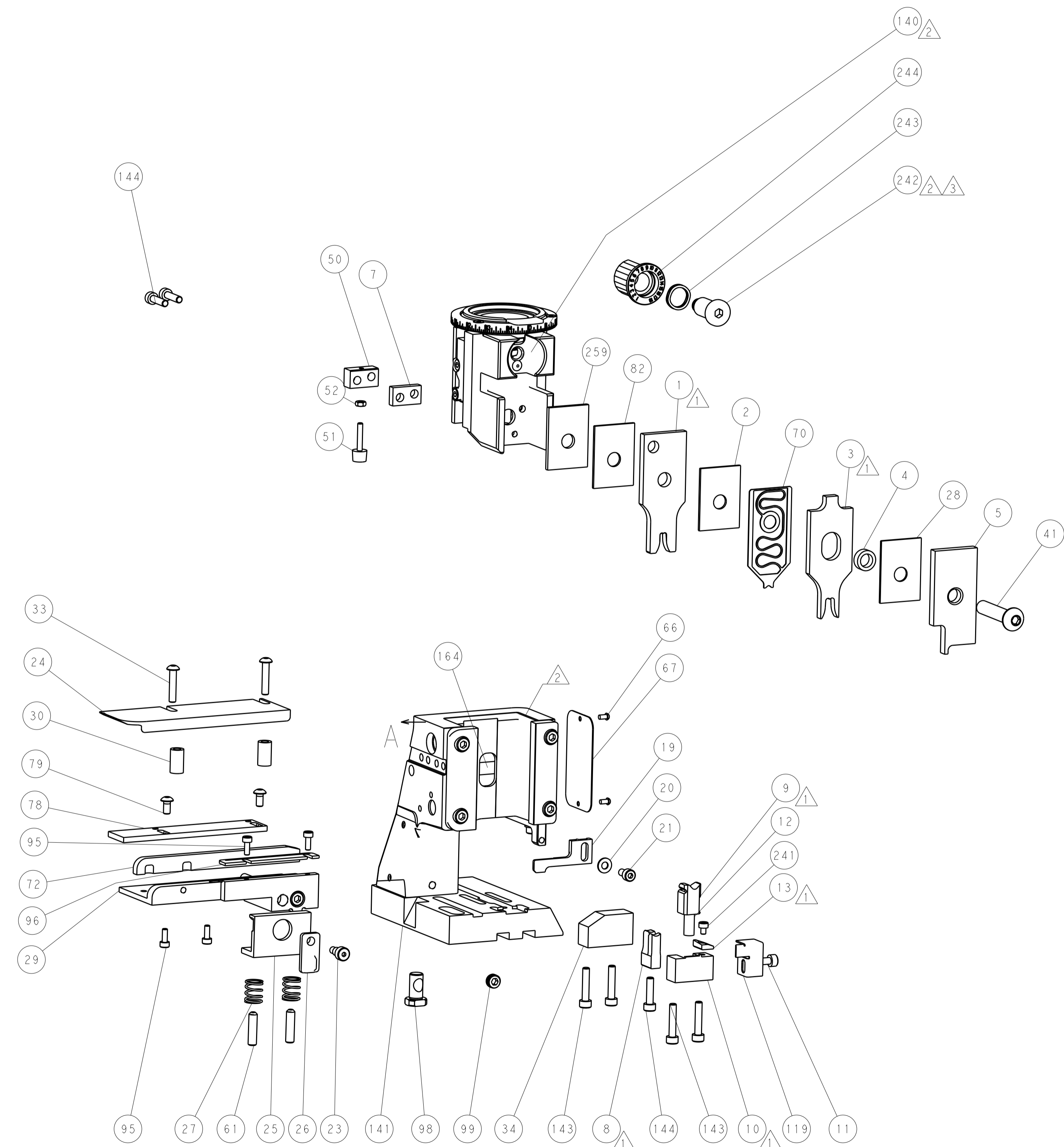
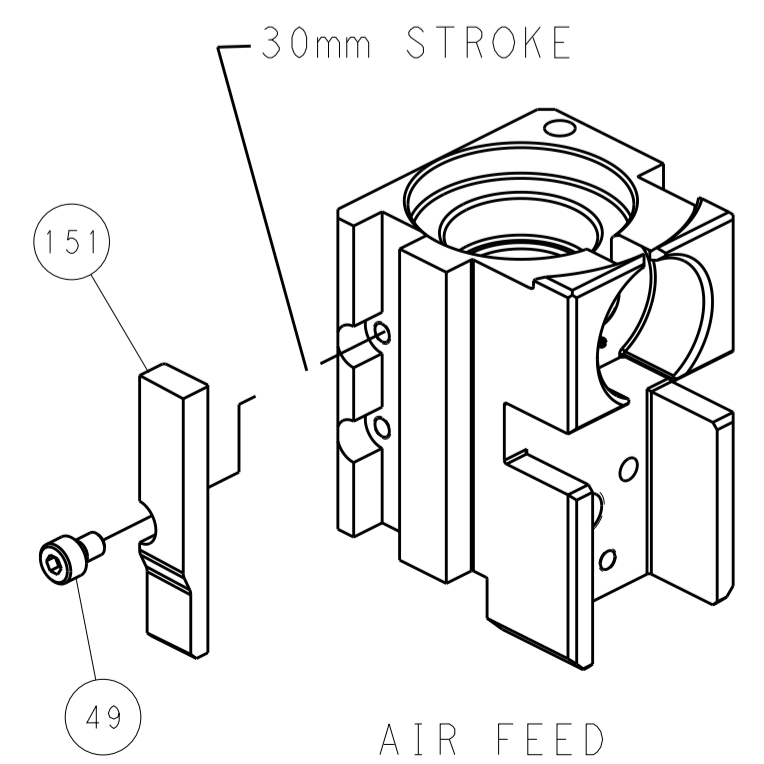
## PNEUMATIC



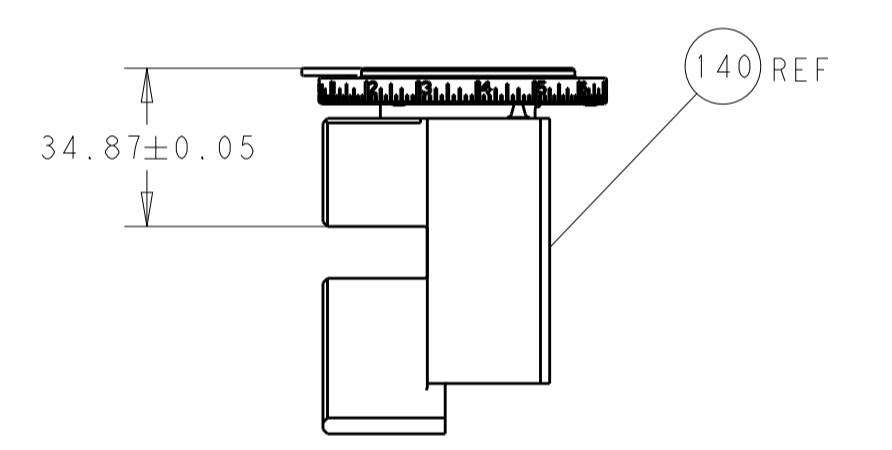
## FEED SPRING SETTING POSITION (SHOWN FROM REAR SIDE)



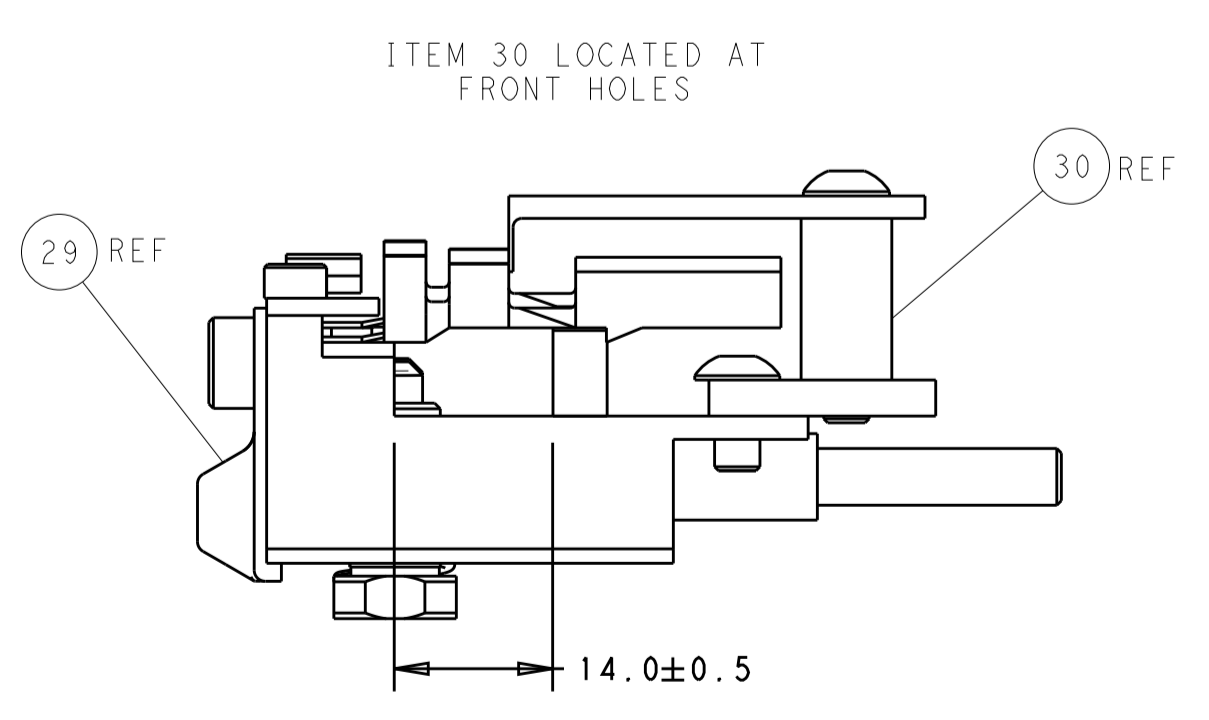
## CAM POSITION



TERMINAL SUPPORT LOCATION



RAM SET-UP



FEED TRACK POSITION GUIDE BY WIRE BARREL

**PACIFIC VERSION**  
 Shown on sheets 3 of 4 & 4 of 4  
 (Atlantic version shown on sheets 1 of 4 & 2 of 4)

DIMENSIONS:		TOLERANCES UNLESS OTHERWISE SPECIFIED:		DWG: Y. YIN 24OCT2013		REV: G. BAILEY 24OCT2013		NAME: Ocean Side Feed Applicator	
mm	0 PLC	±		PRODUCT SPEC		SIZE	CAGE CODE	DRAWING NO	RESTRICTED TO
	1 PLC	±		APPLICATION SPEC		00779	2266089		
	2 PLC	±		WEIGHT		Customer Accessible Production Drawing		SCALE	1:2
	3 PLC	±		FINISH				SHEET	4 OF 4
	4 PLC	±						REV	C
	ANGLES	±						SHEETS 1 & 2 ARE NOT REQUIRED FOR PACIFIC VERSION	