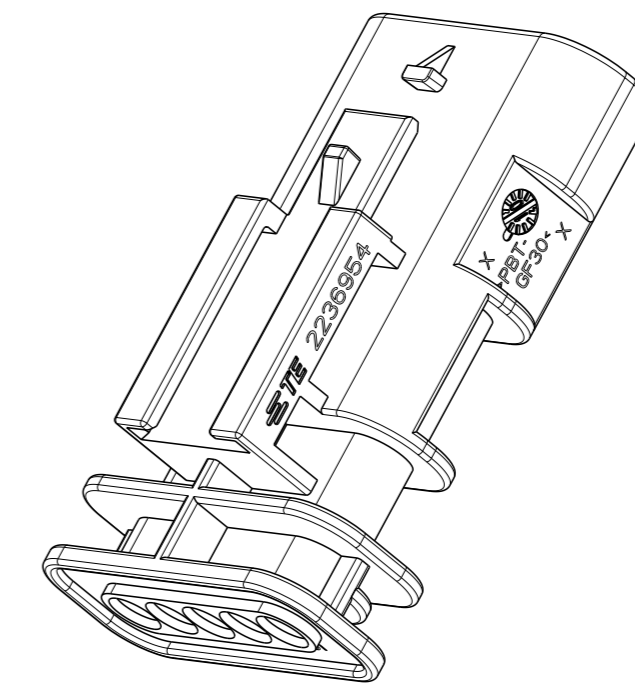
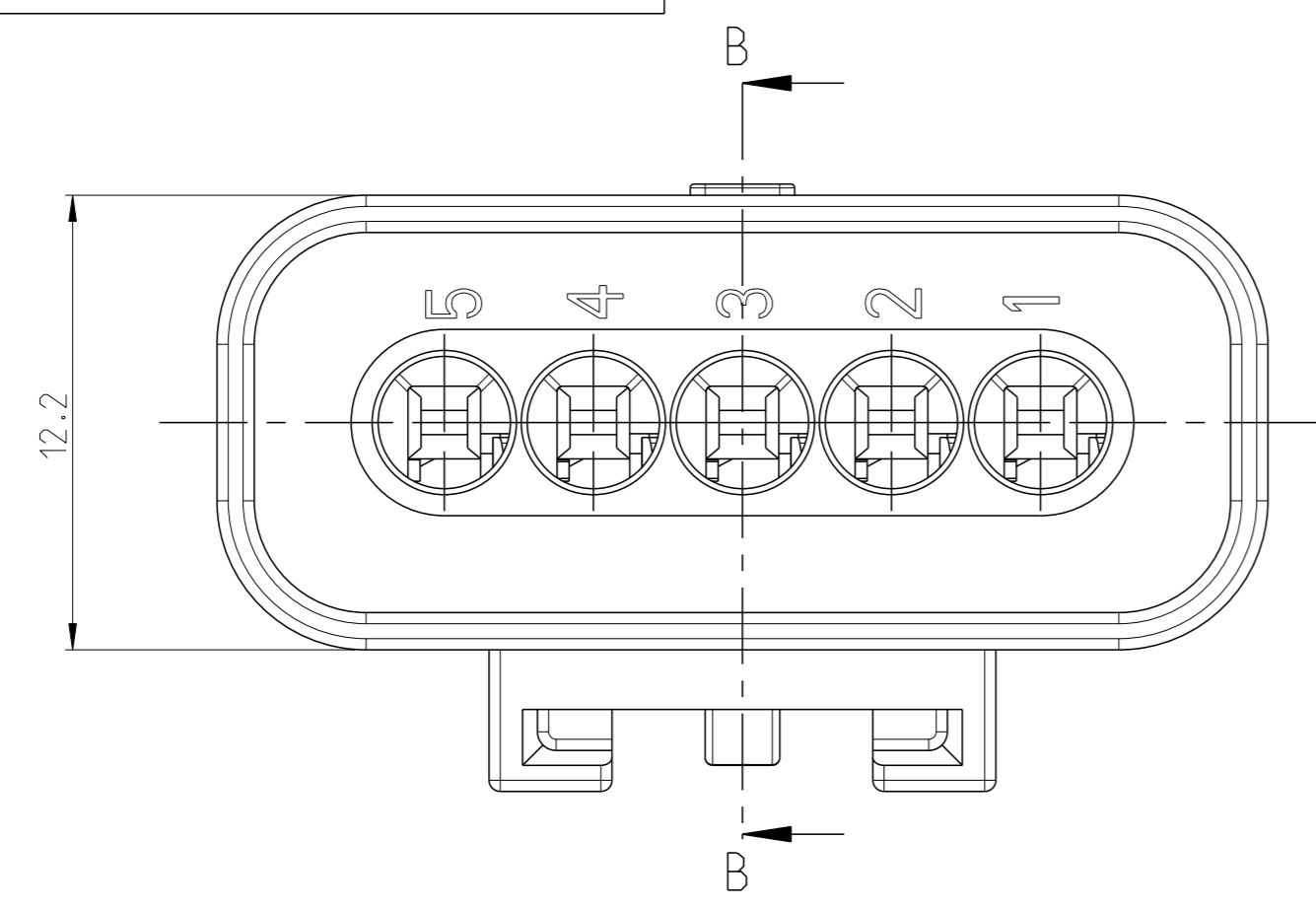
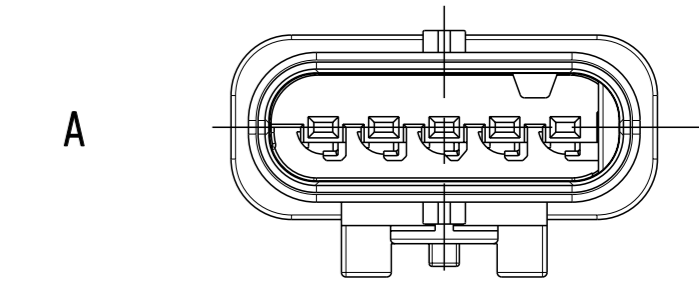


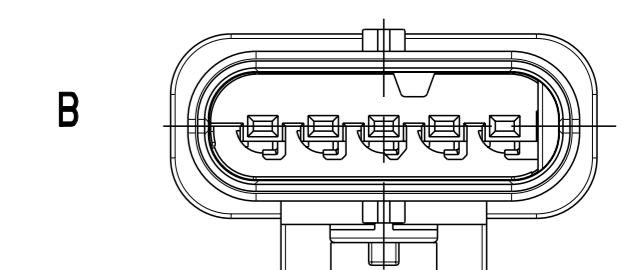
REVISIONS				
REV.	DATE	DESCRIPTION	BY	CHK
A	02JUN2014	New drawing	MT	HR
A1	11DEC2014	ECR-14-018531	MT	HR
A2	05MAR2016	ECR-16-003418	GN	GB



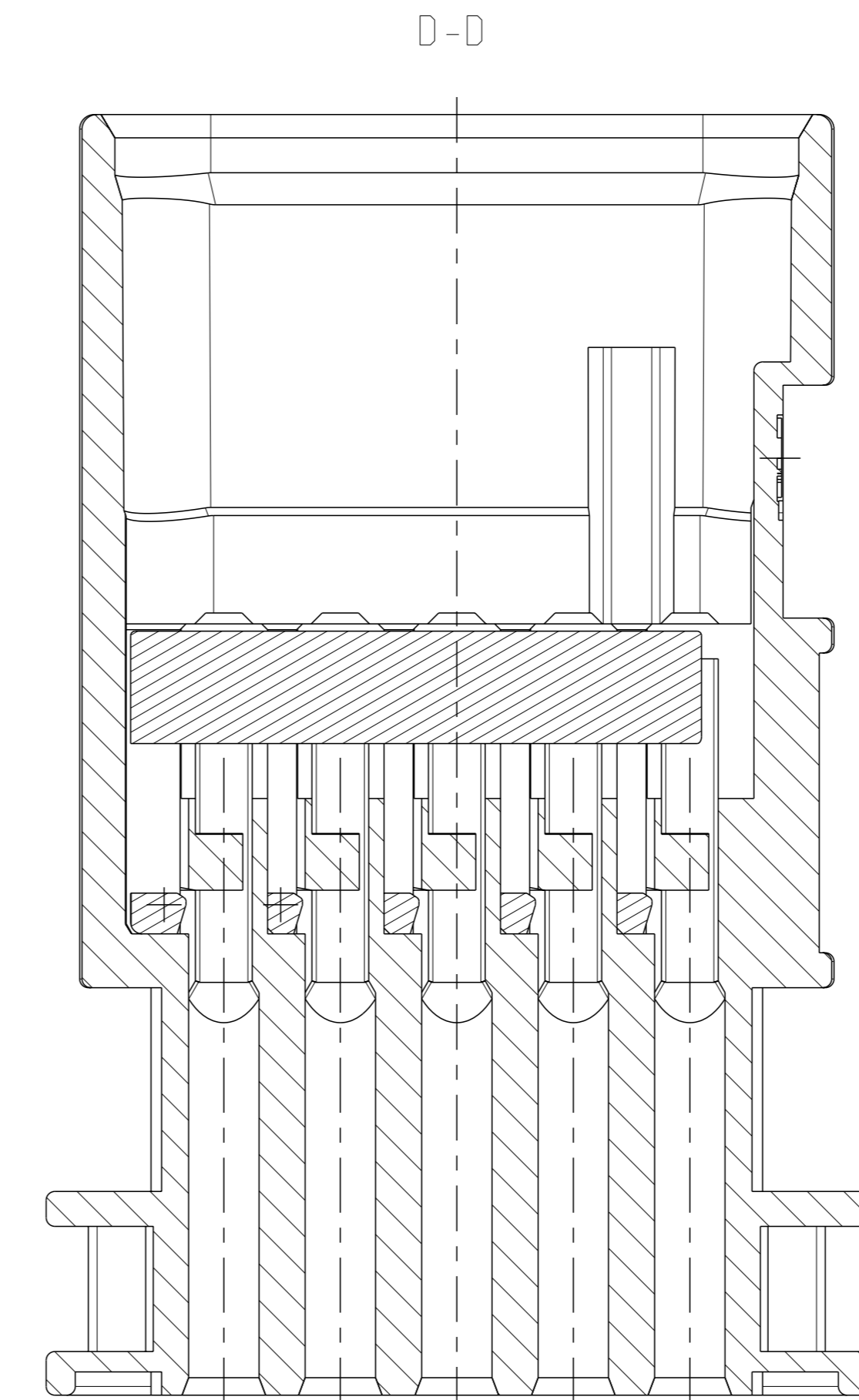
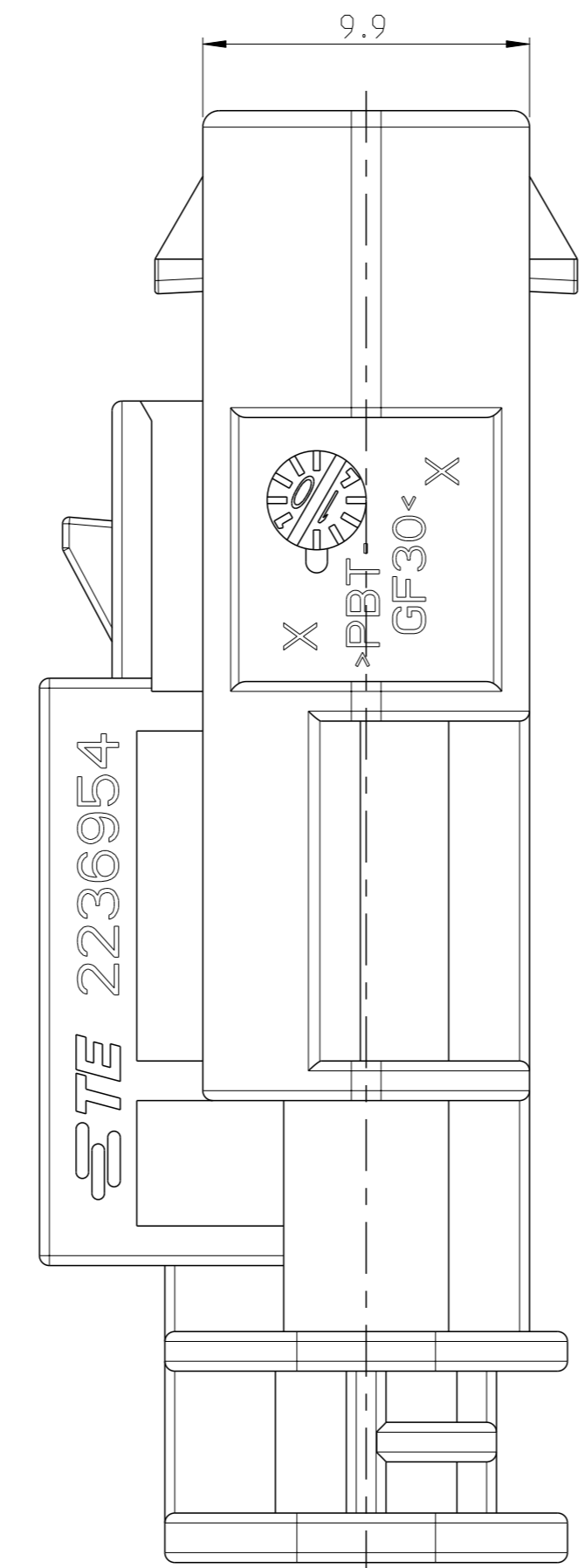
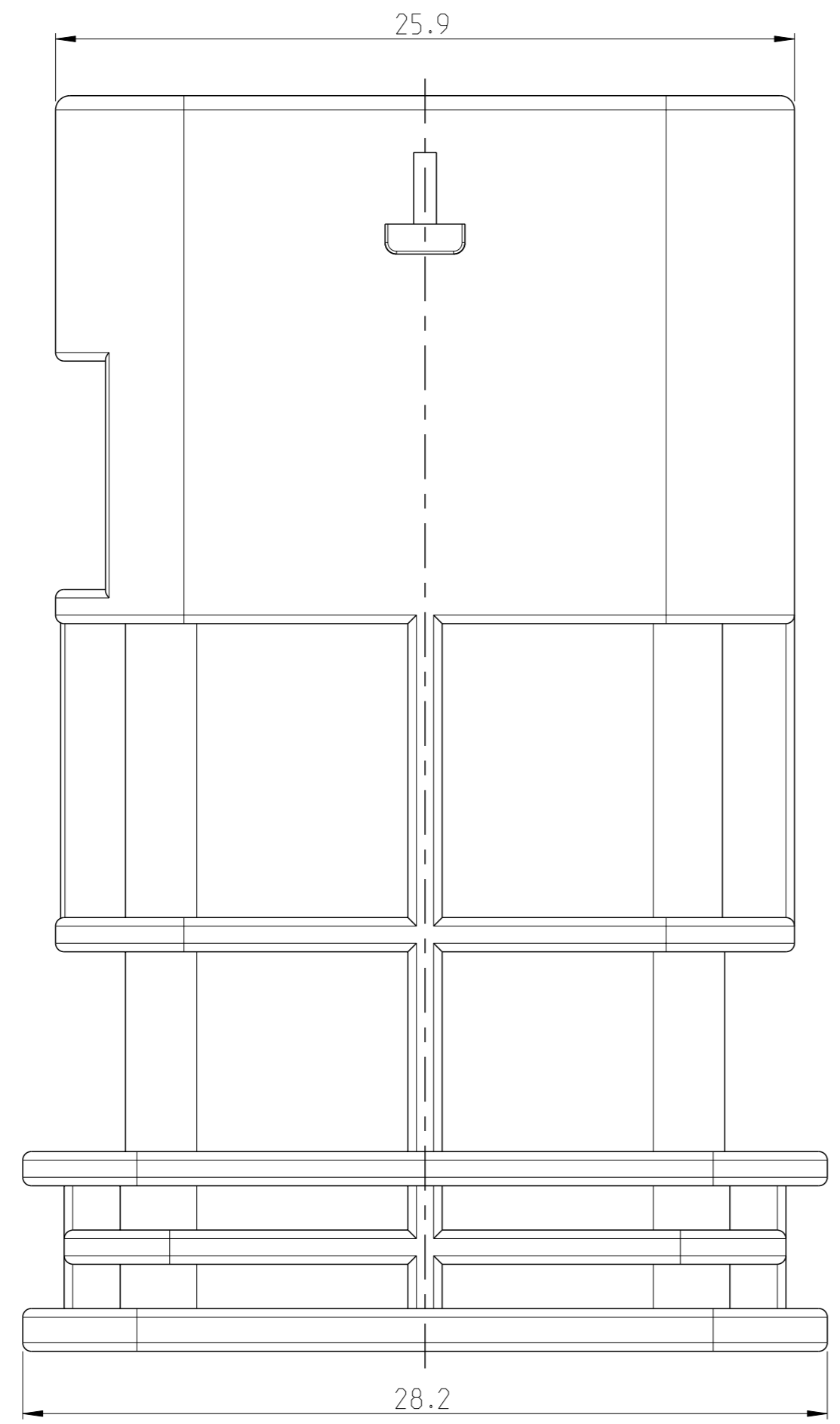
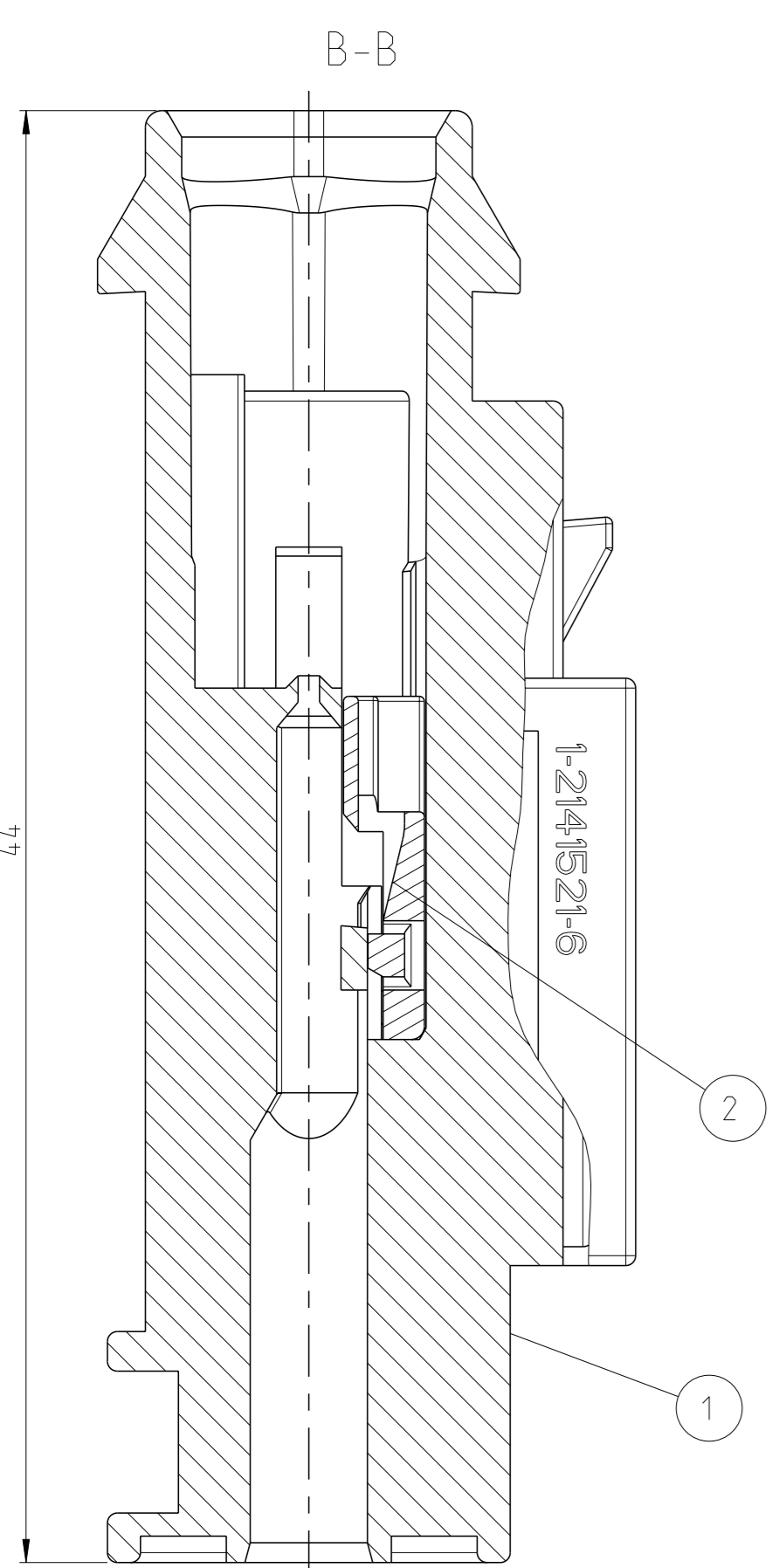
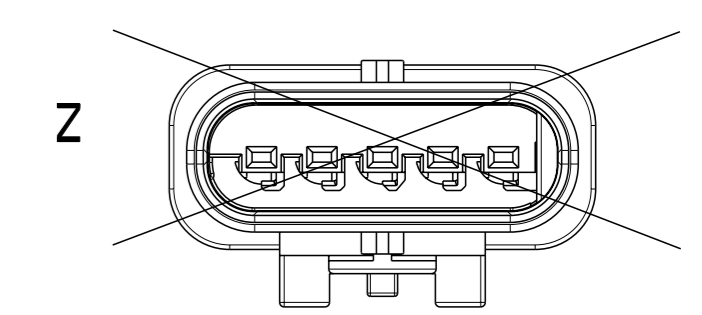
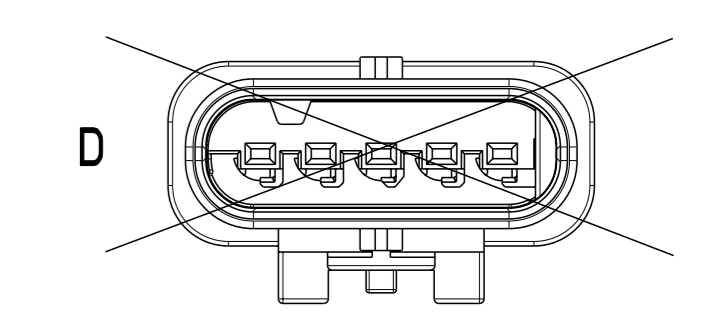
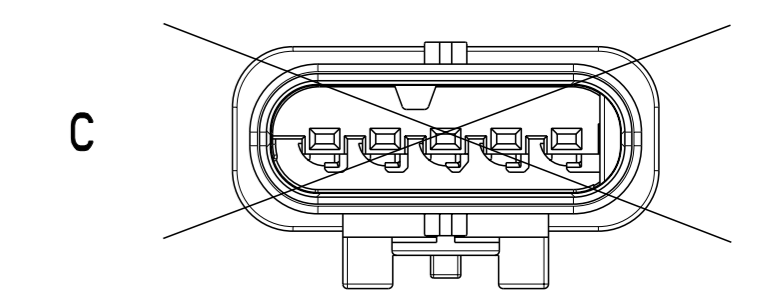
**CODINGS**  
2:1



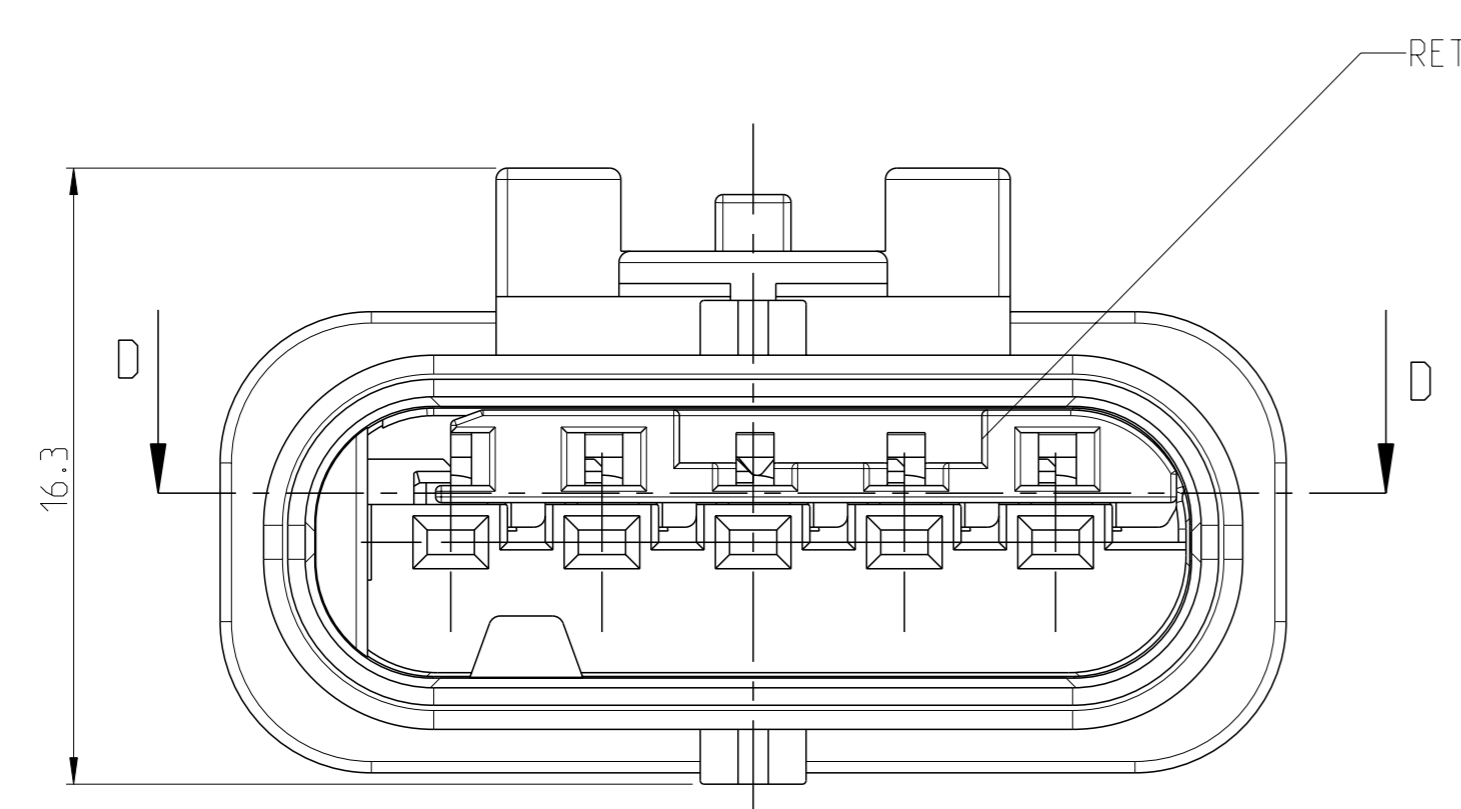
1-2236954-5  
BLACK (HIGH TEMP. MAX. 150 °C)



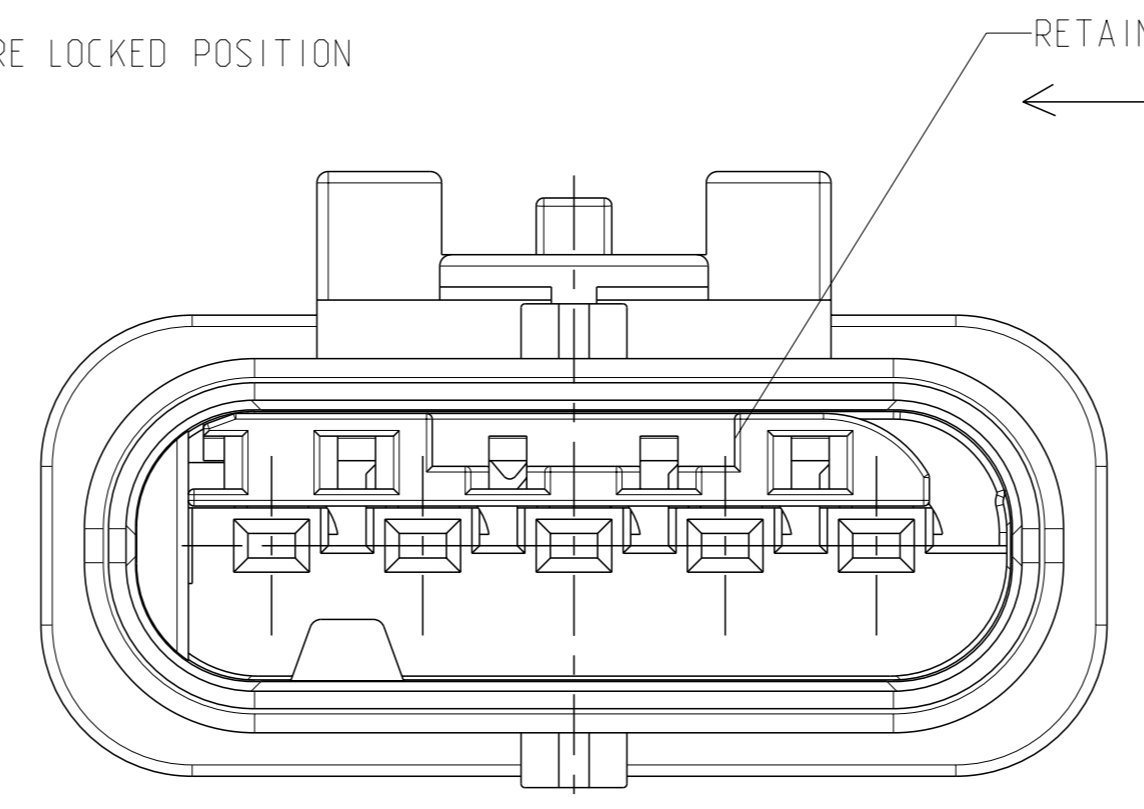
2-2236954-5 BLACK (HIGH TEMP. MAX. 150 °C)  
2-2236954-6 GREY (HIGH TEMP. MAX. 150 °C)



PN 1-2236954-5 AS SHOWN



RETAINER IN PRE LOCKED POSITION



RETAINER IN FINAL LOCKED POSITION  
← RETAINER MOVING DIRECTION

TE-SUITABLE FEMALE HSG.	TE-ORDER-NO.	REV. CODE	TITLE	QTY	TITLE	MATERIAL	SURFACE/COLOUR	ITEM	
2-2236898-5	2-2236954-6	A	B	MALE HOUSING 5POS.	1	RETAINER	PA66-GF35	VIOLET	2
					1	MALE HOUSING	PBT-GF30	GREY	1
2-2236898-5	2-2236954-5	A	B	MALE HOUSING 5POS.	1	RETAINER	PA66-GF35	VIOLET	2
					1	MALE HOUSING	PBT-GF30	BLACK	1b
1-2236898-5	1-2236954-5	A	A	MALE HOUSING 5POS.	1	RETAINER	PA66-GF35	VIOLET	2
					1	MALE HOUSING	PBT-GF30	BLACK	1a


REGRIND MAX. 25%

THIS DRAWING IS A CONTROLLED DOCUMENT.		OWN: M. TRAJKOV	21JAN2014	TE Connectivity
DIMENSIONS: mm		CHK: H. RIPPER	21JAN2014	
TOLERANCES UNLESS OTHERWISE SPECIFIED:		APVD: -		MALE HSG. 5POS. MCON 1.2mm LL SEALED (HIGH TEMP.)
0 PLC ±0.5		PRODUCT SPEC 108-94.177-1		
1 PLC ±0.5		APPLICATION SPEC		
2 PLC ±0.5		SIZE: 114-18910-1		
3 PLC ±0.5		WEIGHT: 7.4 g		RESTRICTED TO
4 PLC ±0.5		Customer Drawing		SCALE: 5:1
ANGLES FINISH		SHEET 1 OF 2		REV: A2

THIS DRAWING IS UNPUBLISHED. RELEASED FOR PUBLICATION 20  
 © COPYRIGHT 20 BY - ALL RIGHTS RESERVED.

REVISIONS				
#	LY#	DESCRIPTION	DATE	OWN APVD
		SEE SHEET 1		

USED MCON 1.2mm LL MALE TERMINALS AND SEALS			
TE-PN. TERMINALS	WIRE RANGE	TE-PN. SINGLE WIRE SEAL	TE-PN. BLIND PLUG
2141868	0.14 - 0.22mm <sup>2</sup>	967067-2	967056-1
1718758	0.25 - 0.35mm <sup>2</sup>	967067-2	
1718760	0.5 - 0.75mm <sup>2</sup>	967067-1	
1718762	1mm <sup>2</sup>	967067-1	
TERMINAL TE-APPLICATION SPEC.: 114-18464.			

THIS DRAWING IS A CONTROLLED DOCUMENT.		OWN: M. TRAJKOV 21JAN2014	 TE Connectivity <b>MALE HSG. SPOS. MCON 1.2mm LL SEALED (HIGH TEMP.)</b>	
		CHK: H. RIPPER 21JAN2014		
DIMENSIONS: mm		APVD: -	NAME: -	RESTRICTED TO: -
TOLERANCES UNLESS OTHERWISE SPECIFIED:		PRODUCT SPEC: 108-94177-1	SIZE: A1	CAGE CODE: -
0 PLC ± 0.5		APPLICATION SPEC: 114-18910-1	DRAWING NO: 2236954	SHEET 2 OF 2
1 PLC ± 0.5		ANGLES: -	WEIGHT: 7.4 g	REV: A2
2 PLC ± 0.5		FINISH: -	MATERIAL: -	SCALE: 5:1
3 PLC ± 0.5			Customer Drawing	
4 PLC ± -				
ANGLES: ± °				