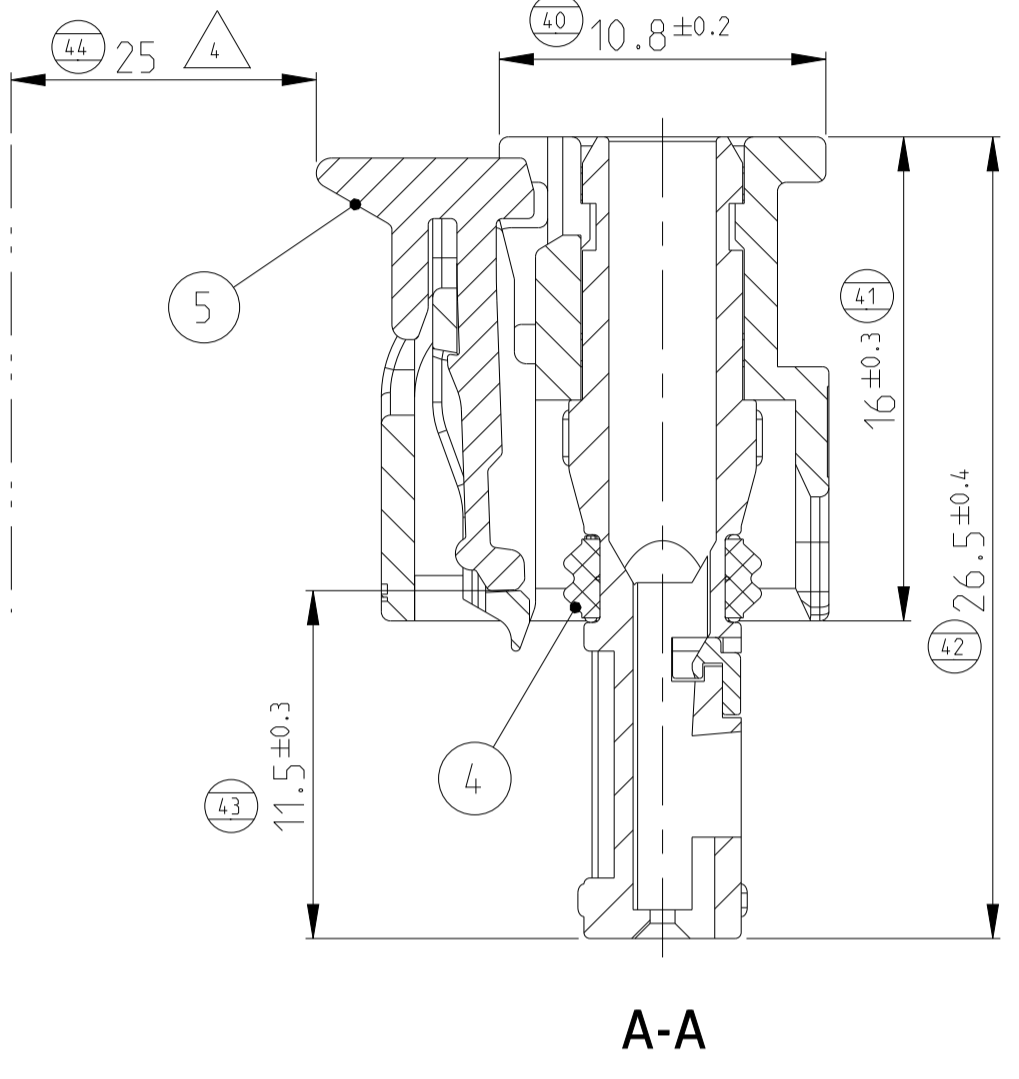
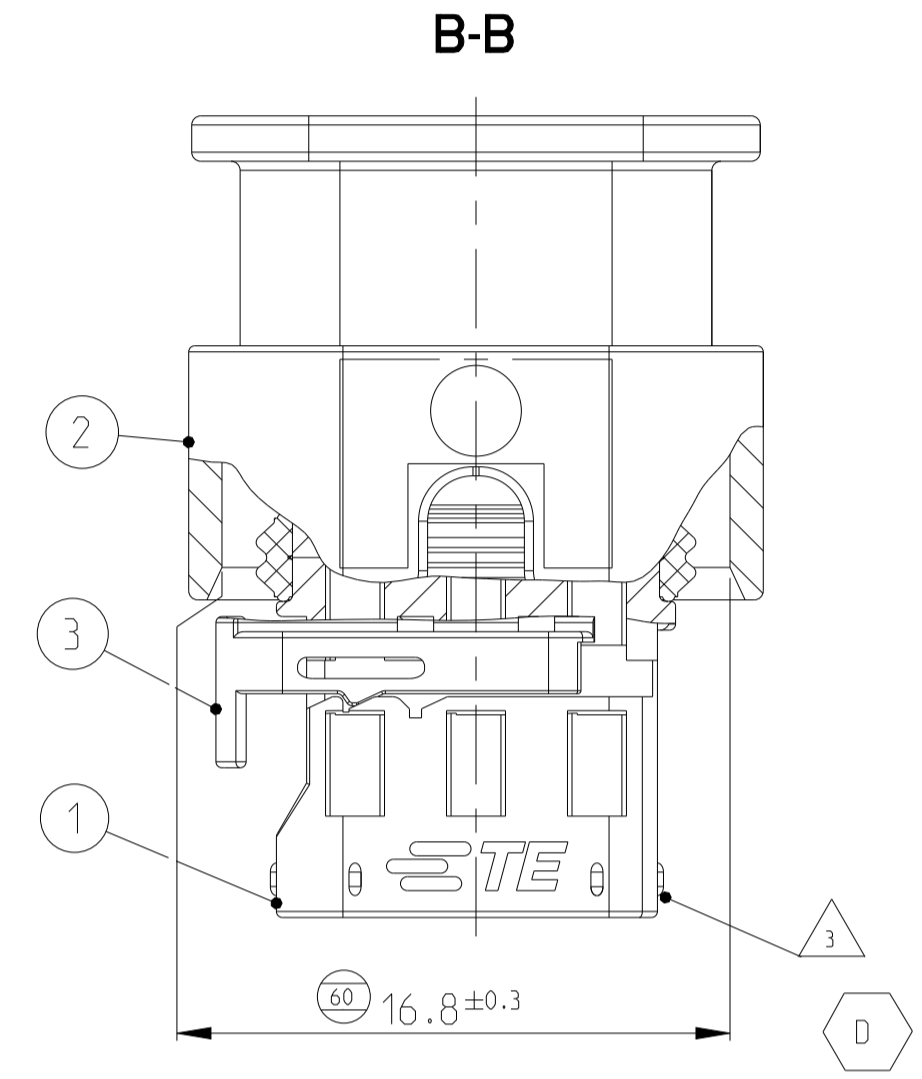
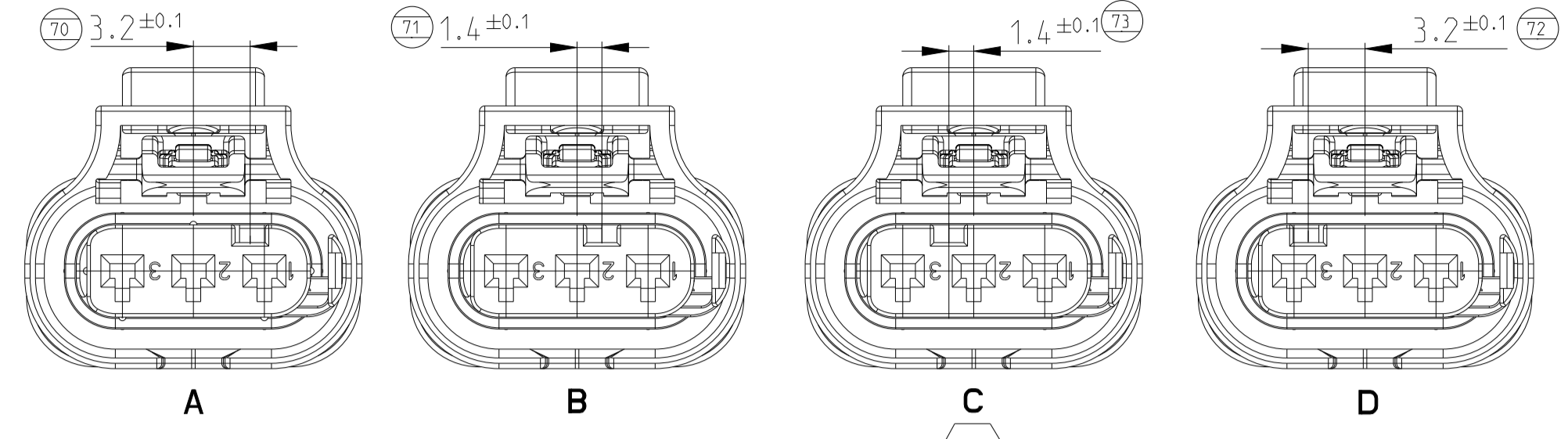


**CODING**

REVISIONS				
P	LTN	DESCRIPTION	DATE	APPV
C3		CODING C ADDED	09JAN2017	SZN LSZ
C4		CODING C WITH CPA VERSION ADDED	07JUN2017	SZN LSZ
C5		ADDITIONAL INFO ON WIRE CROSSSECTION	29AUG2019	SZN LSZ
D		SEAL MATERIAL CHANGE	27JUL2022	SZN LSZ

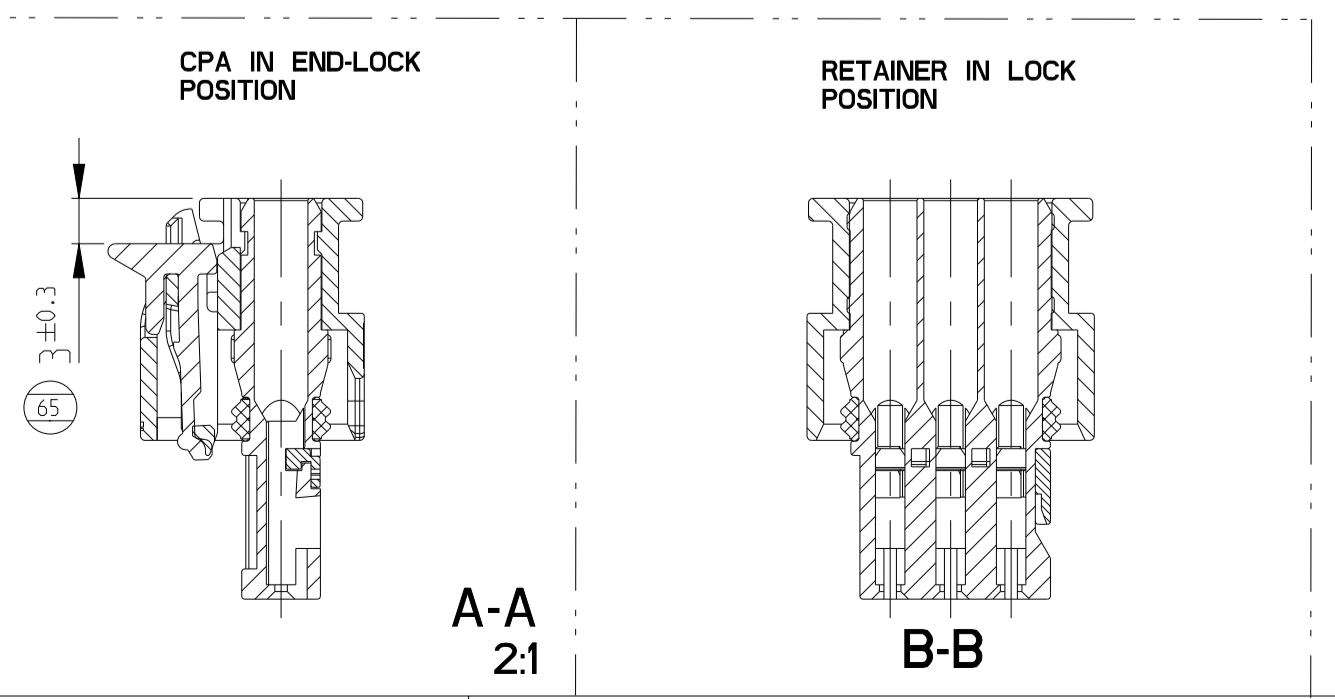
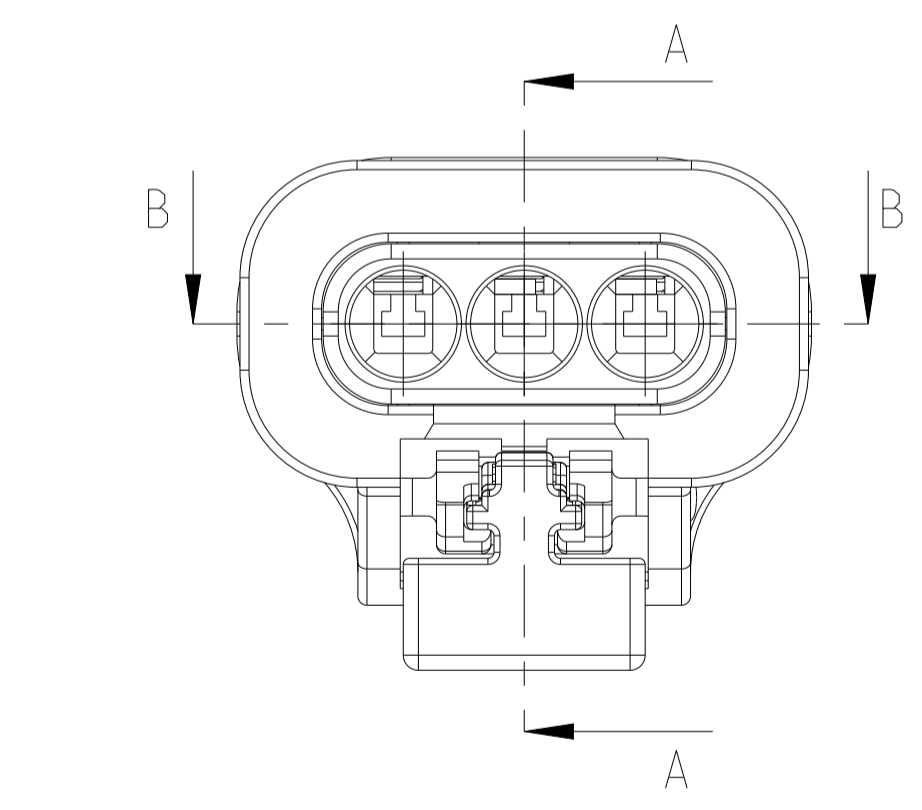


**NOTES:**

- 1 USABLE CONTACTS MCON 1.2  
SEE TE Connectivity -NO. 1452674, VERSION SINGLE WIRE SEAL
- 2 MAX. WIRE SIZE RANGE 1.5 mm<sup>2</sup> FLR PERMITTED FOR CAVITY-Ø 3.55MM  
QUANTITY SEE WIRE HARNESS DRAWING  
FOR PERMISSIBLE CURRENT CARRYING CAPACITY OF THE SINGLE CONTACT SEE PRODUCT SPECIFICATION NO.108-18782
- 3 SUPPLIER-MARK
- 4 SPACE OF ACTIVITY
- 5 SUPPLY CONDITION: CPA IN PRELOCKED POSITION
- 6 SUPPLY CONDITION: RETAINER IN PRELOCKED POSITION
- 7 WARPAGE PERMITTED TO MAX. -0.5mm
- 8 TE Connectivity ORDER-NO.
- 9 ACCORDING TO INTERFACE DRAWING SEE TE-NO. 114-18679-3
- 10 ASSEMBLY LINE SEGMENT IDENTIFICATION
- 11 DATE CODE (DDYY)

CODING A AS SHOWN

TE-ORDER-NO.	COD	DESCRIPTION	REV	QTY	DESCRIPTION	MATERIAL	SURFACE/COLOR	ITEM
4-2236343-5	D	3pos. MCON 1.2 - LL Connector, Sealed	D	1	CPA, MCON 1.2	PBT GF33	RED	5
				1	3pos. MCON 1.2 - Seal	SILICONE RUBBER	GREEN	4
				1	3pos. MCON 1.2 - Retainer	PA66-GF15	VIOLETT - SIMILAR TO RAL 4006	3
				1	3pos. MCON 1.2 - Protec. Cover	PA66-GF30	BLACK - SIMILAR TO RAL 9011	2
				1	3pos. MCON 1.2 - Rec. Housing	PA66-GF30	VIOLETT - SIMILAR TO RAL 4006	1
3-2236343-5	C	3pos. MCON 1.2 - LL Connector, Sealed	D	1	CPA, MCON 1.2	PBT - GF33	RED	5
				1	3pos. MCON 1.2 - Seal	SILICONE RUBBER	GREEN	4
				1	3pos. MCON 1.2 - Retainer	PA66 - GF15	VIOLETT - SIMILAR TO RAL 4006	3
				1	3pos. MCON 1.2 - Protec. Cover	PA66 - GF30	BLACK - SIMILAR TO RAL 9011	2
				1	3pos. MCON 1.2 - Rec. Housing	PA66 - GF30	BLUE - SIMILAR TO RAL 5012	1
2-2236343-5	B	3pos. MCON 1.2 - LL Connector, Sealed	D	1	CPA, MCON 1.2	PBT GF33	RED	5
				1	3pos. MCON 1.2 - Seal	SILICONE RUBBER	GREEN	4
				1	3pos. MCON 1.2 - Retainer	PA66-GF15	VIOLETT - SIMILAR TO RAL 4006	3
				1	3pos. MCON 1.2 - Protec. Cover	PA66-GF30	BLACK - SIMILAR TO RAL 9011	2
				1	3pos. MCON 1.2 - Rec. Housing	PA66-GF30	NATURE	1
1-2236343-5	A	3pos. MCON 1.2 - LL Connector, Sealed	D	1	CPA, MCON 1.2	PBT GF33	RED	5
				1	3pos. MCON 1.2 - Seal	SILICONE RUBBER	GREEN	4
				1	3pos. MCON 1.2 - Retainer	PA66-GF15	VIOLETT - SIMILAR TO RAL 4006	3
				1	3pos. MCON 1.2 - Protec. Cover	PA66-GF30	BLACK - SIMILAR TO RAL 9011	2
				1	3pos. MCON 1.2 - Rec. Housing	PA66-GF30	BLACK - SIMILAR TO RAL 9011	1
4-2236343-1	D	3pos. MCON 1.2 - LL Connector, Sealed	D	1	3pos. MCON 1.2 - Seal	SILICONE RUBBER	GREEN	4
				1	3pos. MCON 1.2 - Retainer	PA66-GF15	VIOLETT - SIMILAR TO RAL 4006	3
				1	3pos. MCON 1.2 - Protec. Cover	PA66-GF30	BLACK - SIMILAR TO RAL 9011	2
				1	3pos. MCON 1.2 - Rec. Housing	PA66-GF30	VIOLETT - SIMILAR TO RAL 4006	1
				1	3pos. MCON 1.2 - Seal	SILICONE RUBBER	GREEN	4
3-2236343-1	C	3pos. MCON 1.2 - LL Connector, Sealed	D	1	3pos. MCON 1.2 - Seal	SILICONE RUBBER	GREEN	4
				1	3pos. MCON 1.2 - Retainer	PA66-GF15	VIOLETT - SIMILAR TO RAL 4006	3
				1	3pos. MCON 1.2 - Protec. Cover	PA66-GF30	BLACK - SIMILAR TO RAL 9011	2
				1	3pos. MCON 1.2 - Rec. Housing	PA66-GF30	BLUE - SIMILAR TO RAL 5012	1
				1	3pos. MCON 1.2 - Seal	SILICONE RUBBER	GREEN	4
2-2236343-1	B	3pos. MCON 1.2 - LL Connector, Sealed	D	1	3pos. MCON 1.2 - Seal	SILICONE RUBBER	GREEN	4
				1	3pos. MCON 1.2 - Retainer	PA66-GF15	VIOLETT - SIMILAR TO RAL 4006	3
				1	3pos. MCON 1.2 - Protec. Cover	PA66-GF30	BLACK - SIMILAR TO RAL 9011	2
				1	3pos. MCON 1.2 - Rec. Housing	PA66-GF30	NATURE	1
				1	3pos. MCON 1.2 - Seal	SILICONE RUBBER	GREEN	4
1-2236343-1	A	3pos. MCON 1.2 - LL Connector, Sealed	D	1	3pos. MCON 1.2 - Seal	SILICONE RUBBER	GREEN	4
				1	3pos. MCON 1.2 - Retainer	PA66-GF15	VIOLETT - SIMILAR TO RAL 4006	3
				1	3pos. MCON 1.2 - Protec. Cover	PA66-GF30	BLACK - SIMILAR TO RAL 9011	2
				1	3pos. MCON 1.2 - Rec. Housing	PA66-GF30	BLACK - SIMILAR TO RAL 9011	1
				1	3pos. MCON 1.2 - Seal	SILICONE RUBBER	GREEN	4



TOLERANCES UNLESS OTHERWISE SPECIFIED ACC. TO DIN 16901-140@CENTRIC TO NOMINAL DIMENSION, EDITION 1982-11 SHALL APPLY. Freigabtoleranzen nach DIN 16901-140@. Es gilt die Ausgabe 1982-11.

PRODUCT CHARACTERISTICS ACC. QMP EMEA_12 BESONDERE MERKMALE NACH QMP EMEA_12 THIS DRAWING IS A CONTROLLED DOCUMENT.		DWN: Sz.Nemes 30JAN2014 CHK: G.BENCZUC 30JAN2014 APV: G.BENCZUC 30JAN2014	TE Connectivity NAME: 3pos. MCON 1.2 - LL Connector Sealed (High temp.)
DIMENSIONS: mm 0 PLC 1 PLC 2 PLC 3 PLC 4 PLC	TOLERANCES UNLESS OTHERWISE SPECIFIED: ANGLES: °	APPLICATION SPEC: 108-18969-3 APPLICATION SPEC: 114-18861	