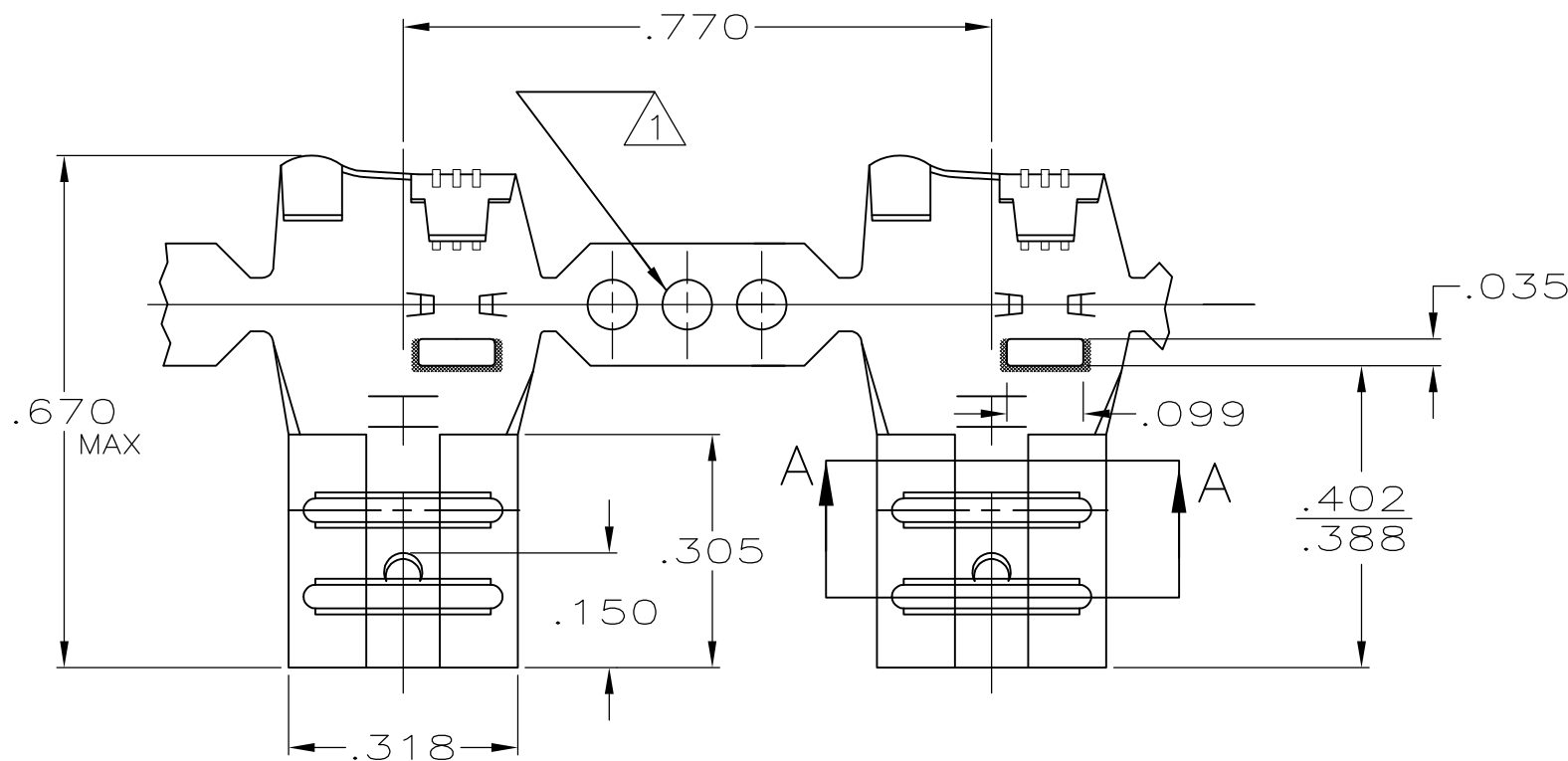


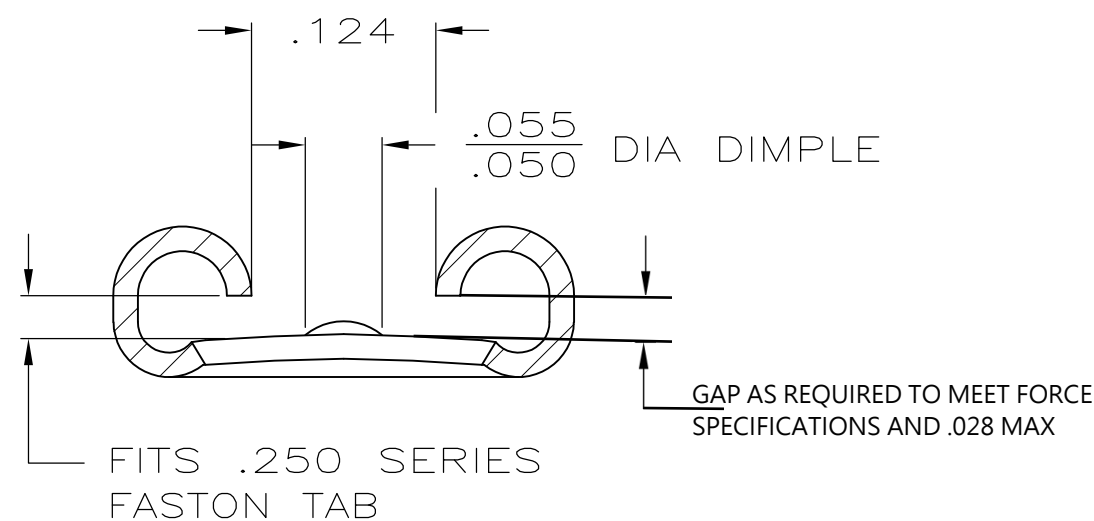
P	LTR	DESCRIPTION	DATE	DWN	APVD
	A1	REVISED PER ECO-012588	05AUG13	B.P	D.Z
	A3	REVISED PER ECR-18-014492	11OCT18	DL	T.D
	A4	REVISED PER ECR-20-009164	12AUG2020	MK	DH



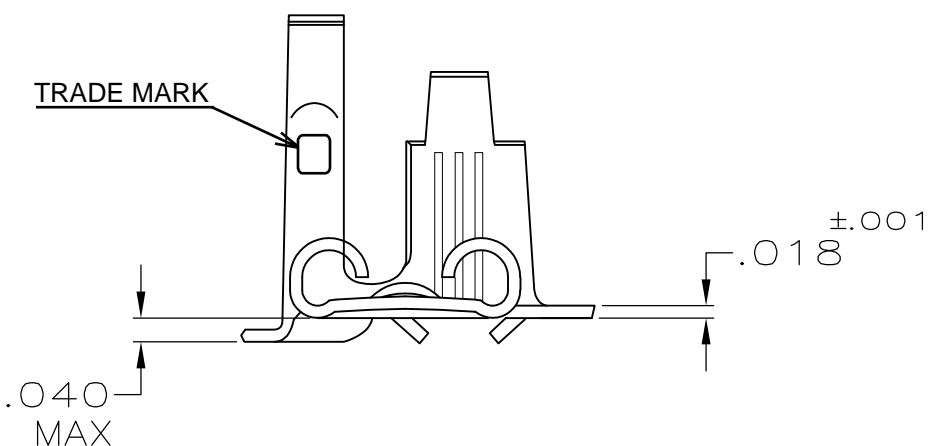
1 SINGLE OR DOUBLE PILOT HOLE OPTIONAL

2 NOT RECOMMEND FOR AIR CONDITION COMPRESSOR INTERNAL USE

3 TIN OVER NICKEL PLATING FOR 2232111-1
TIN PLATING FOR 2232111-3



SECTION A-A
SCALE 8:1



3000PCS/REEL	.110-.210	18-12	.033-.030	2232111-3
4000PCS/REEL	.110-.210	18-12	.033-.030	2232111-1
PACKING QUANTITY	INSULATION RANGE	WIRE SIZE	MATING TAB	PART NO

THIS DRAWING IS A CONTROLLED DOCUMENT.

DWN B.P

CHK F.M

APVD Yuhong.Mao

PRODUCT SPEC

APPLICATION SPEC

WEIGHT

CUSTOMER DRAWING

STE TE Connectivity

NAME

RECEPTACLE, FASTON,
FLAG, .250 SERIES

SIZE

CAGE CODE

DRAWING NO

A3

00779

2232111

RESTRICTED TO

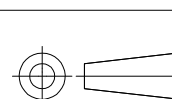
SCALE 4:1

SHEET 1 OF 1

REV A4

DIMENSIONS:
INCHES

TOLERANCES UNLESS
OTHERWISE SPECIFIED:



0 PLC	± -
1 PLC	± -
2 PLC	± -
3 PLC	± .015
4 PLC	± -
ANGLES	± -

MATERIAL

TEMP 4M BRASS

SEE NOTE 3