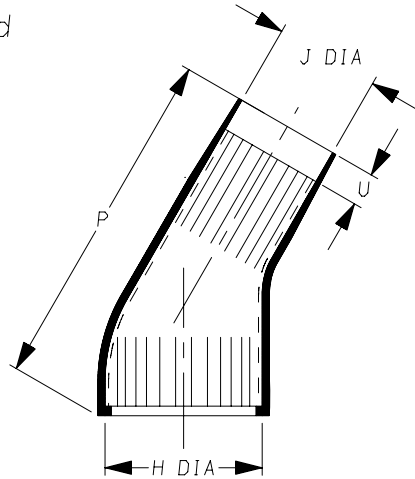
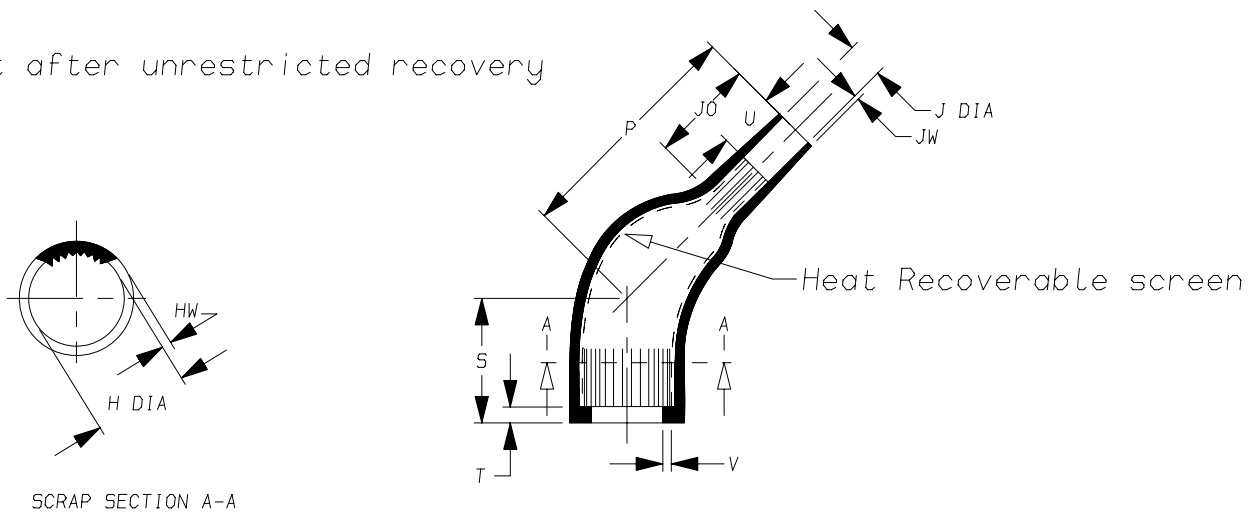


a) Part as supplied

222S1**-**S-G28



b) Part after unrestricted recovery



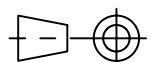
DIMENSIONS in millimetres
{in inches, for reference}

Part No.	H		J		P		S REF	T REF	U		V REF	JO REF	HW ±30%	JW ±30%
	MIN	MAX	MIN	MAX	MIN	MAX			MIN	±20%				
	a	b	a	b	a	b			a	b				
222S121- *S -G28	14 {0.55}	10.4 {0.41}	10 {0.39}	5.0 {0.20}	45 {1.77}	31 {1.22}	14 {0.55}	3.0 {0.12}	5.0 {0.20}	10 {0.39}	1.0 {0.04}	15 {0.59}	1.5 {0.06}	1.0 {0.04}
222S132- *S -G28	19 {0.75}	14.2 {0.56}	12 {0.47}	6.0 {0.24}	54 {2.13}	40 {1.57}	16 {0.63}	3.0 {0.12}	5.0 {0.20}	10 {0.39}	1.0 {0.04}	17 {0.67}	1.5 {0.06}	1.0 {0.04}
222S142- *S -G28	25 {0.98}	18.0 {0.71}	14 {0.55}	7.2 {0.28}	63 {2.48}	43 {1.69}	16 {0.63}	3.0 {0.12}	6.0 {0.24}	10 {0.39}	1.0 {0.04}	18 {0.71}	2.0 {0.08}	1.0 {0.04}
222S152- *S -G28	30 {1.18}	22.4 {0.88}	20 {0.79}	8.5 {0.33}	70 {2.76}	50 {1.97}	21 {0.83}	3.0 {0.12}	7.0 {0.28}	12 {0.47}	1.0 {0.04}	20 {0.79}	2.0 {0.08}	1.0 {0.04}
222S163- *S -G28	36 {1.42}	28.2 {1.11}	24 {0.94}	10.0 {0.39}	90 {3.54}	64 {2.52}	26 {1.02}	3.0 {0.12}	12.0 {0.47}	20 {0.79}	1.7 {0.07}	28 {1.10}	2.2 {0.09}	1.5 {0.06}
222S174- *S -G28	43 {1.69}	35.1 {1.38}	32 {1.26}	15.8 {0.62}	111 {4.37}	75 {2.95}	29 {1.14}	3.0 {0.12}	12.0 {0.47}	20 {0.79}	1.7 {0.07}	31 {1.22}	3.0 {0.12}	1.5 {0.06}

Copyright (!)

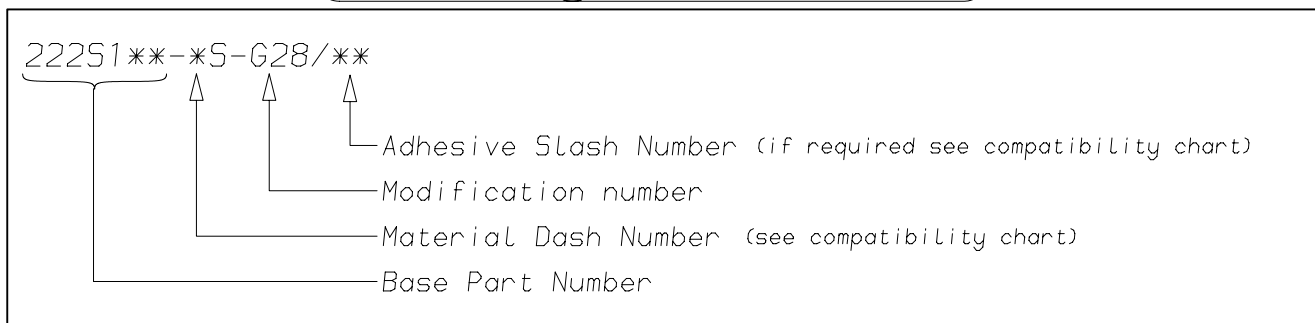
The copyright in this drawing is the property of Tyco Electronics UK Ltd. The drawing is issued on the condition that it is not copied, reproduced or disclosed to a third party, either in whole or in part without the prior written consent of Tyco Electronics UK Ltd.

Drawn A.LILLEY. Checked Issue 5 Date March 2008 Conforms to ISO Recommendations
Approval Design MKTG. Tech. 3rd Angle Projection Not to Scale



Raychem		Specification	Part Number
		Control Drawing	222S1**-*S-G28 Issue 5
Iss.	Date	E.C.R. No.	Details of Change
2	November 1987	****	Redrawn
3	March 1991	H0045	Pb & Sb changed
4	March 2007	CR06-HM-012	Imperial dimensions added
5	March 2008	CR08-HM-005	RTM 2572 removed

(Ordering Information)



(COMPATIBILITY CHART)

Material Dash Number	Material Description	SPEC Number	Coating Slash Number
-35	POLYOLEFIN/COPPER COMPOSITE	RT-1370, RW-2076	/86
-255	ELASTOMER/COPPER COMPOSITE	RT-1371, RW-2077	/86
-1005	ZEROHALOGEN/COPPER COMPOSITE	RT-1323, RK-6717	/86

NOTES

- ① As supplied dimensions are for uncoated parts, when coating is added entry diameters will reduce by 1.5mm Max.
- ② For method of measuring recovered diameter, see appropriate RW specification (SPEC Number), section 2.2,

Tyco Electronics UK Ltd. Faraday Road, Swindon, Wiltshire, SN3 5HH England Telephone: (01793) 528171 Fax: 572516	Tyco Electronics Corporation 300, Constitution Drive, Menlo Park, CA 94025 USA Telephone (650) 361-3860 Fax: (650) 361-5579
Cage Code K1010	Cage Code 06090