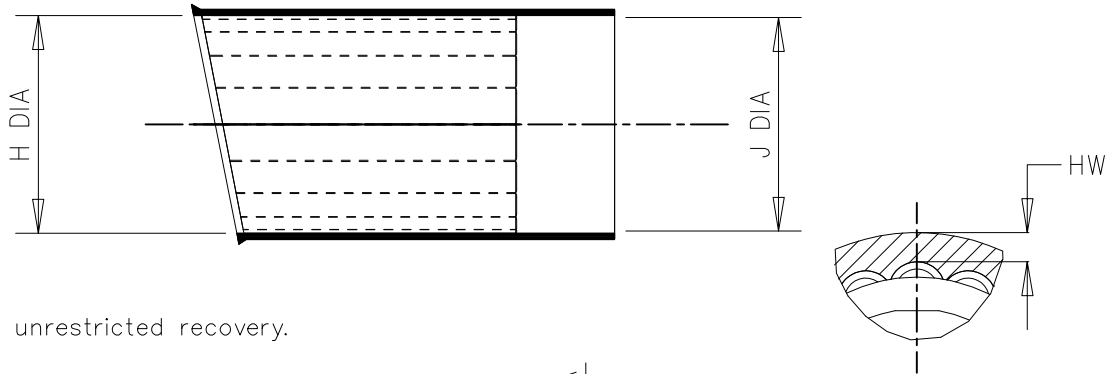


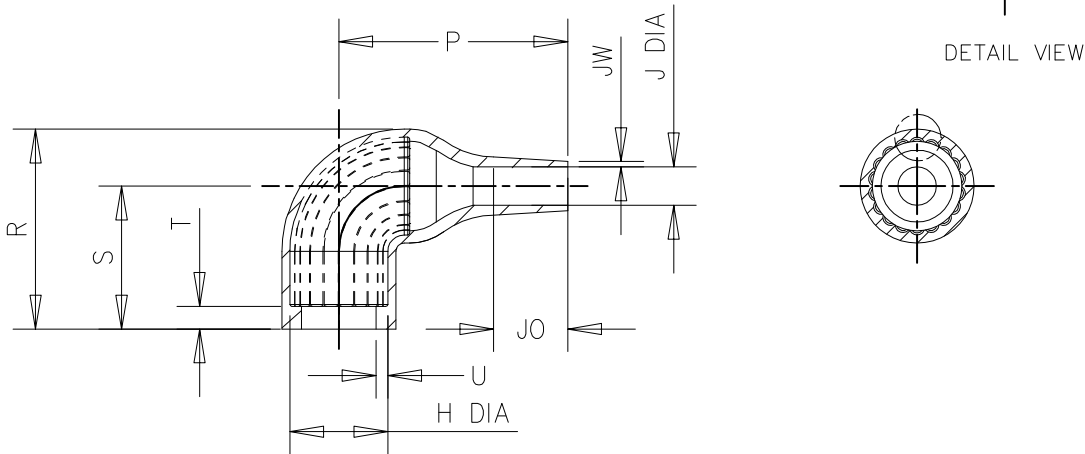
REVISIONS

P	LTR	DESCRIPTION	DATE	DWN	APVD
A		ECO-17-009760	04JUL2017	PV	AP

a) Part as supplied.



b) Part after unrestricted recovery.




Part No.	H		J		P	R	S	T	U	JO	HW	JW
	Min a	Max b	Min a	Max b	±10% b	±10% b	±10% b	±10% b	±10% b	±10% b	±20% b	±20% b
222K121-25L-0	24 [.94]	10.4 [.41]	24 [.94]	5.6 [.22]	25 [.98]	25 [.98]	19 [.75]	3.0 [.12]	1.0 [.04]	8.5 [.33]	1.3 [.05]	0.5 [.02]
222K132-25L-0	30 [1.18]	14.2 [.56]	30 [1.18]	5.9 [.23]	32 [1.26]	27 [1.06]	20 [.79]	3.0 [.12]	1.0 [.04]	8.5 [.33]	1.3 [.05]	0.8 [.03]
222K142-25L-0	31 [1.22]	18.0 [.71]	31 [1.22]	7.1 [.28]	39 [1.54]	31 [1.22]	21 [.83]	3.0 [.12]	1.0 [.04]	15.0 [.59]	1.2 [.04]	1.0 [.04]
222K152-25L-0	36 [1.42]	22.4 [.88]	36 [1.42]	8.4 [.33]	46 [1.81]	38 [1.50]	26 [1.02]	3.0 [.12]	1.0 [.04]	16.0 [.63]	1.5 [.06]	1.0 [.04]
222K163-25L-0	43 [1.69]	28.2 [1.11]	43 [1.69]	9.9 [.39]	55 [2.17]	45 [1.77]	30 [1.18]	3.0 [.12]	1.7 [.07]	17.5 [.69]	2.0 [.08]	1.0 [.04]
222K174-25L-0	60 [2.36]	35.1 [1.38]	60 [2.36]	15.7 [.62]	80 [3.15]	54 [2.13]	35 [1.38]	3.0 [.12]	1.7 [.07]	32.0 [1.26]	2.3 [.09]	1.5 [.06]
222K185-25L-0	66 [2.60]	44.5 [1.75]	66 [2.60]	16.8 [.66]	108 [4.25]	68 [2.68]	42 [1.65]	3.0 [.12]	2.0 [.08]	48.0 [1.89]	1.8 [.07]	2.0 [.08]

RELEASED FOR PUBLICATION

ALL RIGHTS RESERVED.

THIS DRAWING IS UNPUBLISHED.

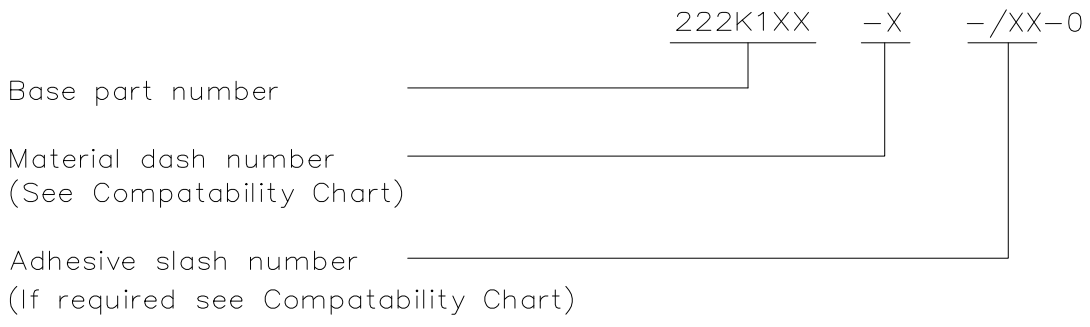
© COPYRIGHT 2017 TE Connectivity

DIMENSIONS: mm [INCHES]	DWN P. VU	04JUL2017	MATERIAL	-25L	FINISH	-
	CHK N. NAGAR	04JUL2017	 TE Connectivity			
TOLERANCES UNLESS OTHERWISE SPECIFIED:	APVD A. POOLE	04JUL2017				
0 PLC ± -	PRODUCT SPEC	-	NAME			
1 PLC ± -	APPLICATION SPEC	-	BOOT, 90 DEGREE WITH LIP			
2 PLC ± -	WEIGHT	-	SIZE	CAGE CODE	DRAWING NO	RESTRICTED TO
3 PLC ± -			A4	00779	C-222K1XX-25L-0	-
4 PLC ± -			CUSTOMER DRAWING			SCALE DNS
ANGLES ± -			SHEET 1 OF 2			REV A

REVISIONS				
P	LTR	DESCRIPTION	DATE	APVD
-	-	SEE SHEET 1	-	-

COMPATIBILITY CHART			
Material Dash No.	Material Description	SPEC No.	Coating Slash No.
-25L	LIGHT WEIGHT POLYMER, FLUID RESISTANT	RW-3040	/225

ORDERING INFORMATION



NOTES

- As supplied dimensions are for parts without adhesive, when an adhesive layer is added entry diameters will reduce by 1.5mm Max.
- Parts will have a bump or depression on the inner surface at the material injection point.
- Dimensions appearing in table are as follows -
 - a - As supplied
 - b - After unrestricted Recovery

THIS DRAWING IS UNPUBLISHED. ALL RIGHTS RESERVED. COPYRIGHT 2017 TE Connectivity

DIMENSIONS: mm [INCHES]	DWN P. VU	04JUL2017	MATERIAL -25L	FINISH -			
	CHK N. NAGAR	04JUL2017	TE Connectivity				
TOLERANCES UNLESS OTHERWISE SPECIFIED:	APVD A. POOLE	04JUL2017			NAME BOOT, 90 DEGREE WITH LIP		
0 PLC ± -	PRODUCT SPEC	-	SIZE	CAGE CODE	DRAWING NO	RESTRICTED TO	
1 PLC ± -	APPLICATION SPEC	-	A4	00779	C-222K1XX-25L-0	-	
2 PLC ± -	WEIGHT	-	CUSTOMER DRAWING			SCALE	DNS
3 PLC ± -			SHEET			2	OF 2
4 PLC ± -			REV			A	
ANGLES ± -							

